



**NESPA**  
TILED SPAS

# **Production Booklet**

**for**

## **KIMBALL SPA**

2800 Richter Ave. Suite C, Oroville, CA 95965 • **voice:** (530)534-9910  
**fax:** (530)534-9915 • **email:** sales@tiledspas.com • **website:** www.tiledspas.com



## RECOMMENDED MAINTENANCE

### *Please Note:*

These are only recommended guidelines to care for a Nespa all tiled spa. Local codes may require additional procedures, therefore consult with a pool professional that is LA county Health Department certified for more information on local codes and requirements.

### ***SPA SURFACE***

Your spa tile is acid resistant and frost-proof. The Tile does not absorb germs or algae. Tile does not stain and is very easy to clean. Color does not fade or lose its luster. All grouts are epoxy based and are extremely durable. To remove scum line use soft nylon brush and small amounts of biodegradable soaps. Do not use abrasive brushes or chemicals.

### **MAINTENANCE**

#### **A. CHEMICALS:**

- 1) It is important to maintain a chlorine residual of 2 PPM in the spa. That residual can be provided by chlorine or bromine.
- 2) It is recommended to use Bromine or dichlor (granular) forms of chlorine. If bromine Tabs are used we suggest floating or inline dispenser.
- 3) Never use acid to lower Ph in the tile spa.
- 4) Never use trichlor chlorine (1" or 3") tablets in the Nespa spas.
- 5) Never place tablets in skimmer basket.

#### **B. DRAINING THE SPA:**

- 1) It is recommended to drain the spa at least once every 2 months depending on bath load and water clarity.
- 2) The spa should be drained through valve exiting re-circulation pump in the spa equipment room or sump pump.
- 3) Note: Use caution to drain spa in the winter months or rainy season when water table is at its highest. It is possible for the spa to float due to hydraulic pressure from surrounding water table. We advise that you consult with your local spa specialist prior to draining the spa.

#### **C. SPA EQUIPMENT:**

- 1) Clean filter cartridge at least once every month, or when needed; i.e., if water clarity does not improve after several days.
- 2) Keep area free and clear from leaves and debris build-up.
- 3) Keep area free and clear from flooding.

#### **D. SPA LIGHT:**

- 1) Spa light has to be on GFCI circuit. It is controlled at spa side with ON/OFF.

#### **E. TILE SERVICING:**

- 1) Contact manufacture when servicing tile or grout. @ (530) 534-9910



**NESPA ENTERPRISES INC.**  
 2800 Richter Ave. Suite C  
 Oroville, CA 95966  
 Office: (530) 534-9910  
 Fax: (530) 534-9915  
 E-Mail: sales@tiledspas.com  
 Web Site: www.tiledspas.com

# Custom SPA

## SPA DETAIL

SCALE: 1/2" = 1'-0"

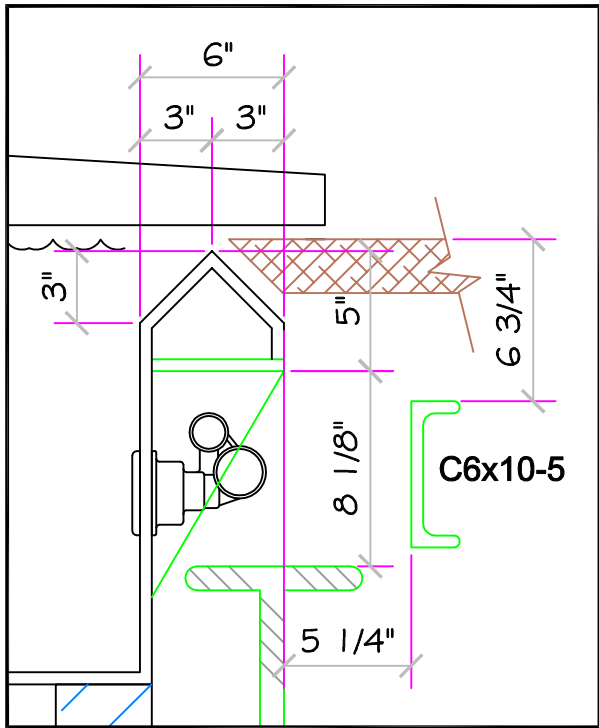
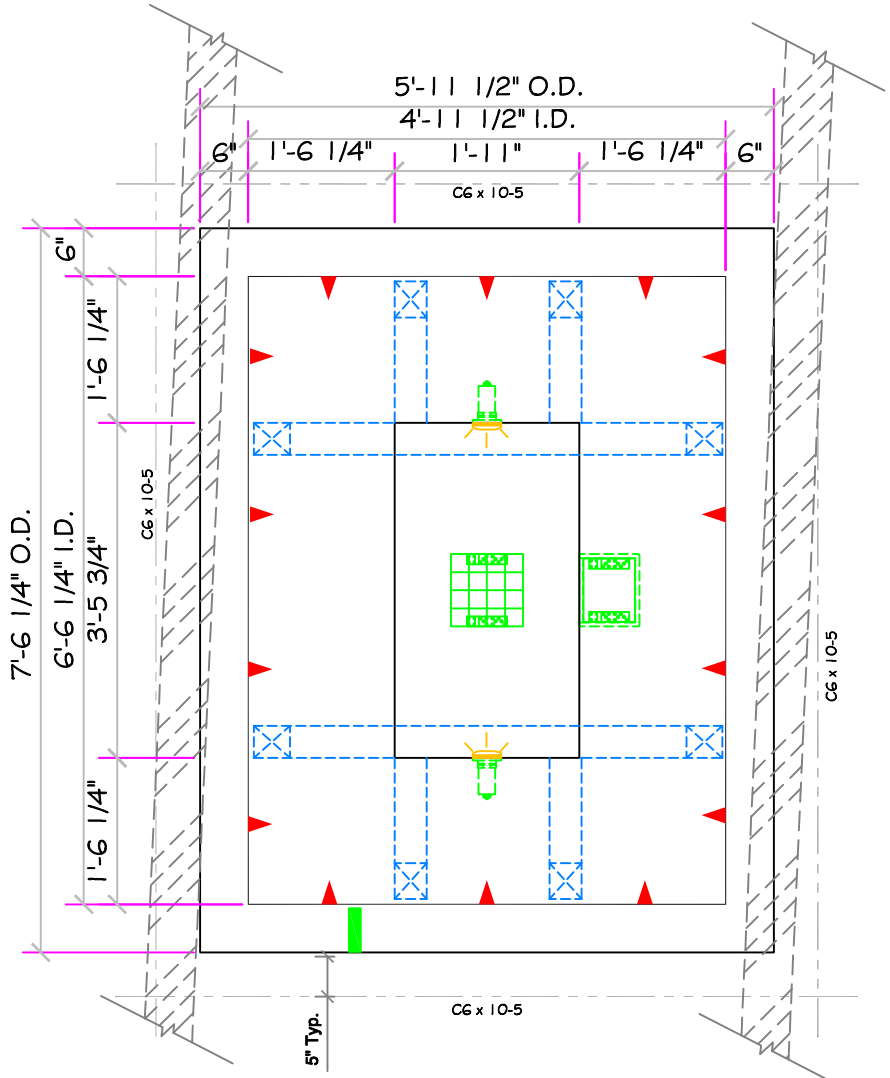
DATE: 09/04/08

JOB: Kimball Loft

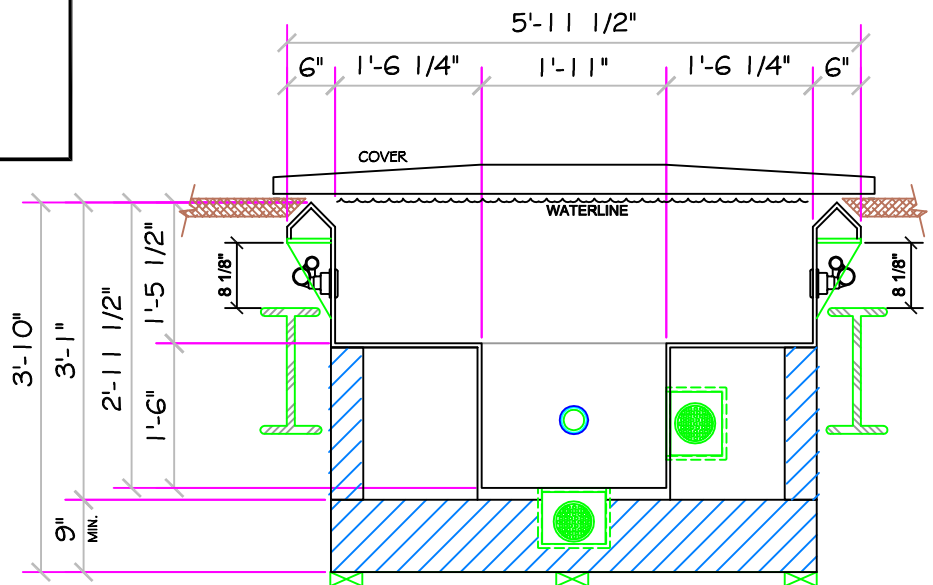
DR#: KBL-SD06

\*ALL DIMENSIONS SUBJECT TO 1/4" TOLERANCES\*

SPECIFICATIONS	
DRY WEIGHT:	3000 LBS.
TOTAL WEIGHT:	6679 LBS.
WATER:	441.3 GAL.
VOLUME:	59 Cu.Ft.
WEIGHT:	3679 LBS.
SURFACE AREA:	32 SQ. FT.
IAPMO#:	1138
FDA#:	2030305



**DETAIL 1-1/2" = 1'**



These drawings, concepts, and details contained herein are the original proprietary designs of NESPA ENTERPRISES, developed over many years of experience in the pool and spa industry and as such are protected by the copyright laws of the United States Government. Reproduction of any of the above without written permission to do so by NESPA ENTERPRISES, is illegal.



# NESPA ENTERPRISES INC.

2800 Richter Ave. Suite C  
 Oroville, CA 95966  
 Office: (530) 534-9910 Fax: (530) 534-9915  
 E-Mail: sales@tiledspas.com  
 Web Site: www.tiledspas.com

# Custom Infinity Edge

## EQUIPMENT DETAIL

\*ALL DIMENSIONS SUBJECT TO 1/4" TOLERANCES\*

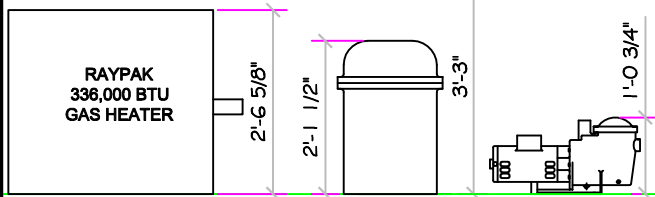
SCALE: 3/8" = 1'-0"

DATE: 09/04/08

JOB: Kimball Loft

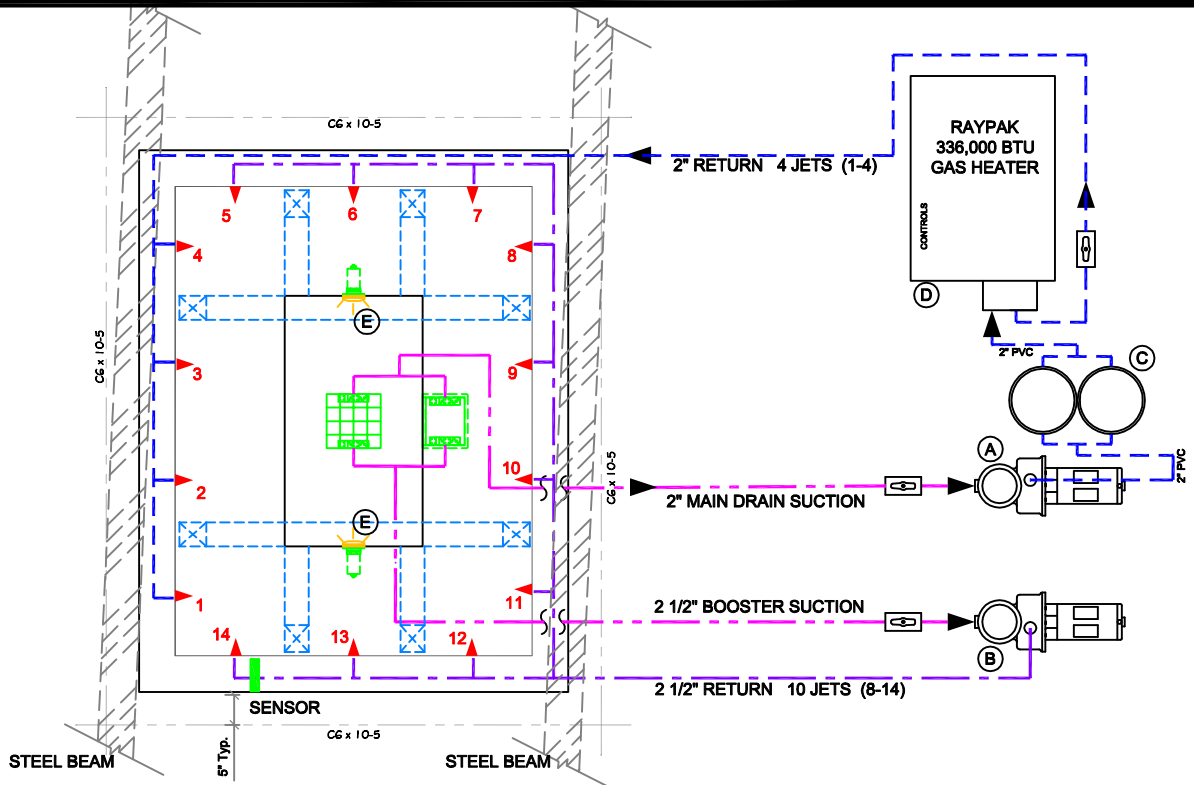
DR#: KBL-EQD04

VERTICAL CLEARANCE

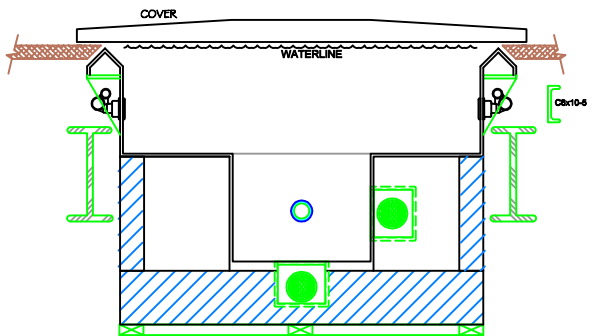


Model Number	Filter Area Sq. Ft.	Vertical Clearance*	Filter Diameter	Flow Rate GPM Res.**	Com.	Turnover Capacity-Res. (Gallons)
						8hrs. 10hrs. 12hrs.
CC 75	50	39"	15.5"	75	28	34,000 45,000 54,000
CC 100	100	41"	15.5"	100	38	48,000 60,000 72,000
CC 150	150	76"	15.5"	150	56	72,000 90,000 108,000
CC 200	200	76"	15.5"	150	75	72,000 90,000 108,000

\* Required clearance to remove filter elements.  
 \*\* Maximum flow rate.



**LEGEND:**  
 A PENTAIR 1HP WHISPER-FLO 230V, 20 AMP  
 B PENTAIR 3HP WHISPER-FLO 230V, 20 AMP  
 C PENTAIR CARTRIDGE FILTER (2) 75 SQ FT  
 D RAYPAK 336,000 BTU GAS HEATER  
 E LIGHT LV 12V 10 WATTS





# NESPA ENTERPRISES INC.

2800 Richter Ave. Suite C  
Oroville, CA 95966  
Office: (530) 534-9910 Fax: (530) 534-9915  
E-Mail: sales@tiledspas.com  
Web Site: www.tiledspas.com

# Custom Infinity Edge

## EQUIPMENT DETAIL

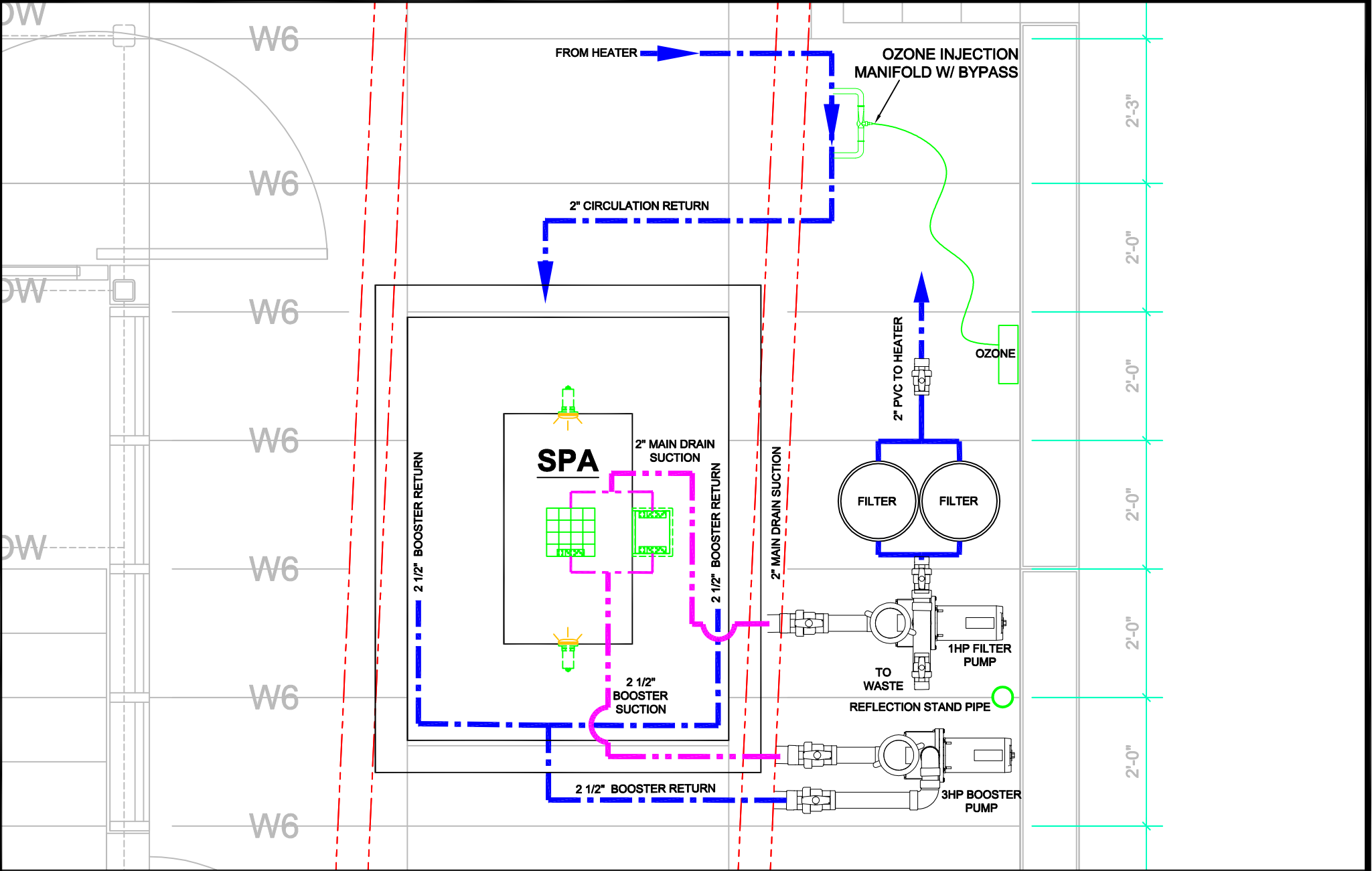
\*ALL DIMENSIONS SUBJECT TO 1/4" TOLERANCES\*

SCALE: 1/2" = 1'-0"

DATE: 09/04/08

JOB: Kimball Loft

DR#: EQ Detail



These drawings, concepts, and details contained herein are the original proprietary designs of NESPA ENTERPRISES, developed over many years of experience in the pool and spa industry and as such are protected by the copyright laws of the United States Government. Reproduction of any of the above without written permission to do so by NESPA ENTERPRISES, is illegal.



# NESPA ENTERPRISES INC.

2800 Richter Ave. Suite C  
 Oroville, CA 95966  
 Office: (530) 534-9910 Fax: (530) 534-9915  
 E-Mail: sales@tiledspas.com  
 Web Site: www.tiledspas.com

# Custom Infinity Edge

## EQUIPMENT DETAIL

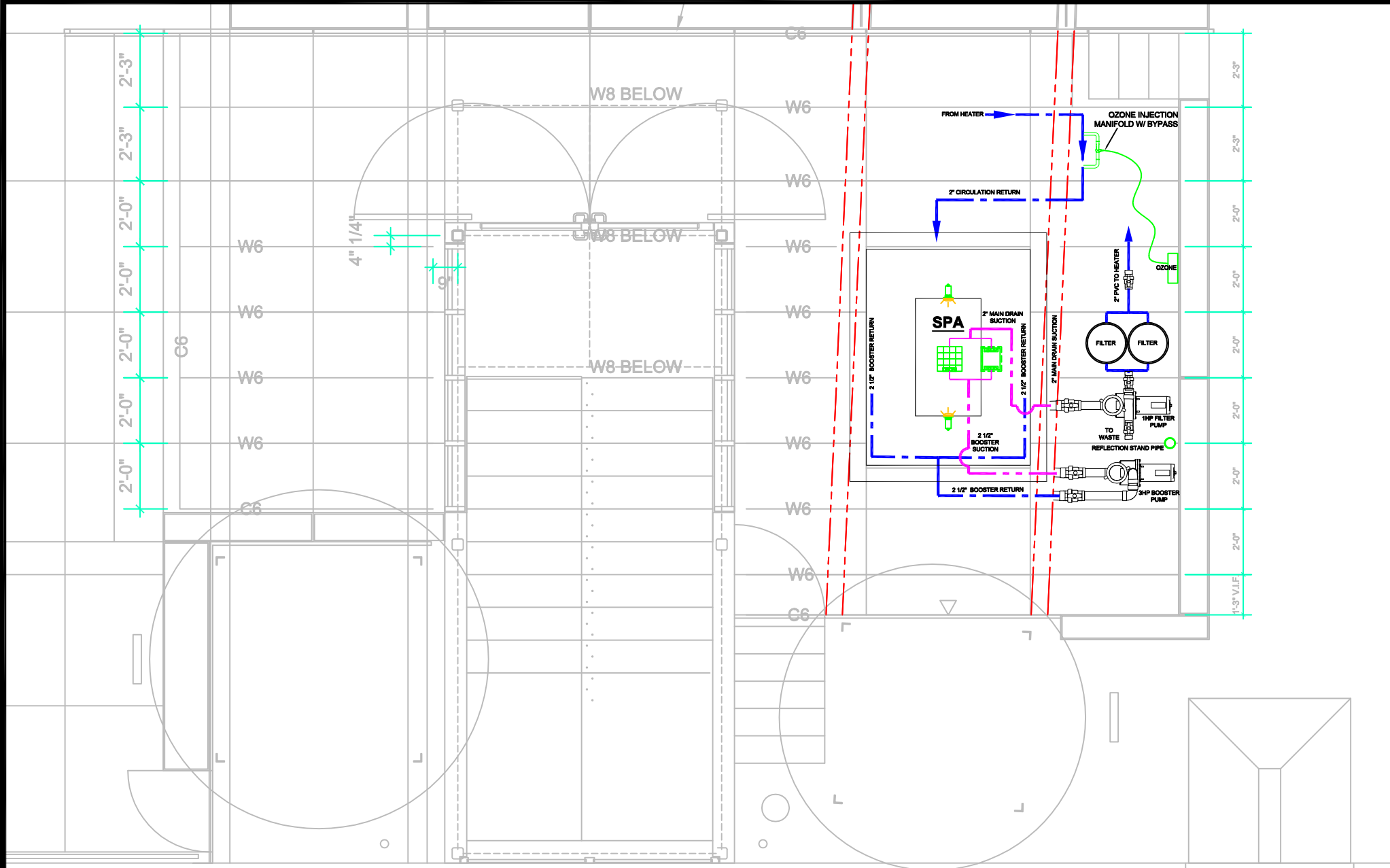
\*ALL DIMENSIONS SUBJECT TO 1/4" TOLERANCES\*

SCALE: 1/4" = 1'-0"

DATE: 09/04/08

JOB: Kimball Loft

DR#: EQ Detail





# NESPA ENTERPRISES INC.

2800 Richter Ave. Suite C  
Orville, CA 95966  
Office: (530) 534-9910 Fax: (530) 534-9915  
E-Mail: sales@tiledspas.com  
Web Site: www.tiledspas.com

# Custom Infinity Edge

## Plumbing Schematic

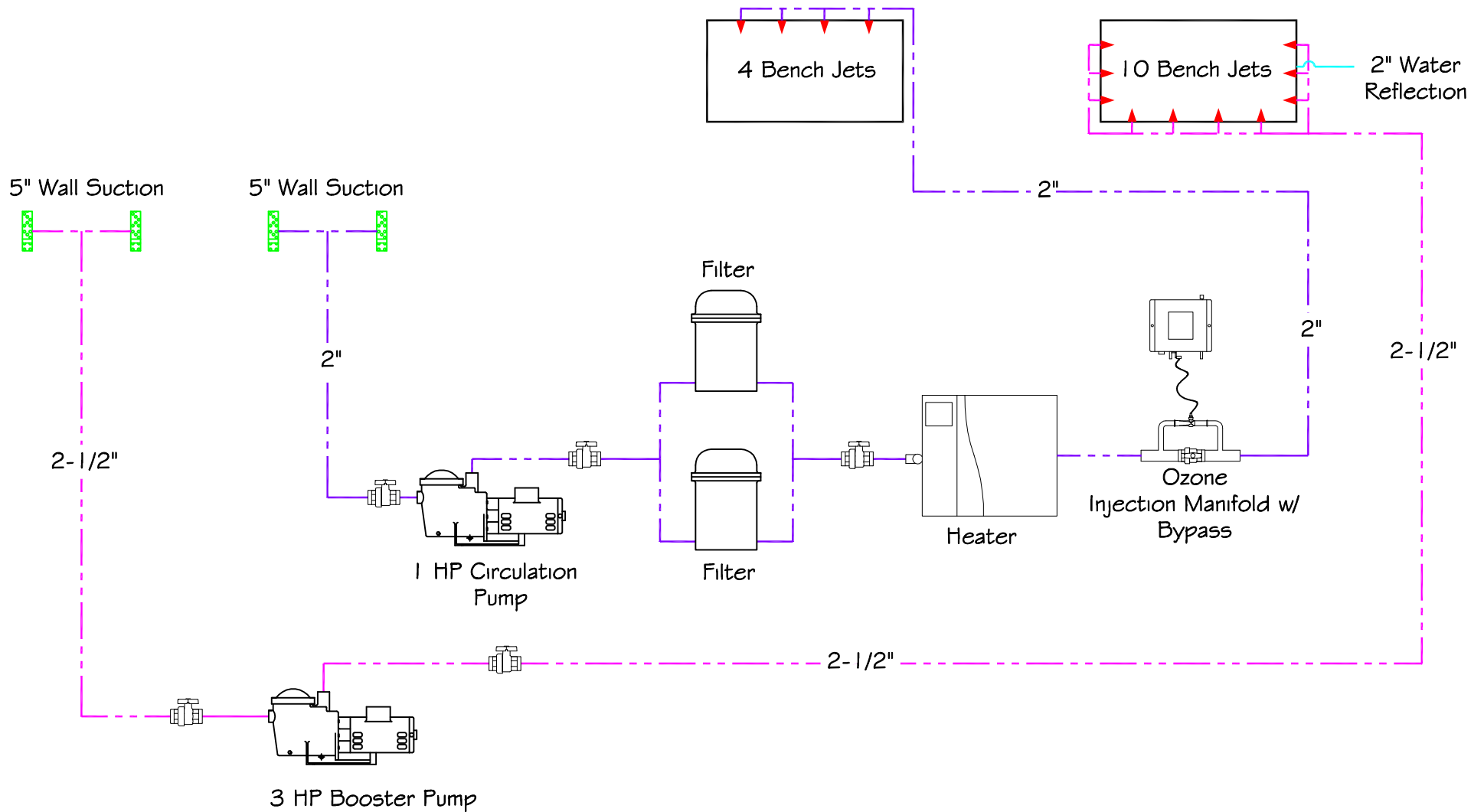
\*ALL DIMENSIONS SUBJECT TO 1/4" TOLERANCES\*

SCALE: N/A

DATE: 06/20/07

JOB: Kimball Loft

DR#: Plumbing Schematic





# NESPA ENTERPRISES INC.

2800 Richter Ave. Suite C  
Orville, CA 95966  
Office: (530) 534-9910 Fax: (530) 534-9915  
E-Mail: sales@tiledspas.com  
Web Site: www.tiledspas.com

# Custom Infinity Edge

## Electrical Schematic

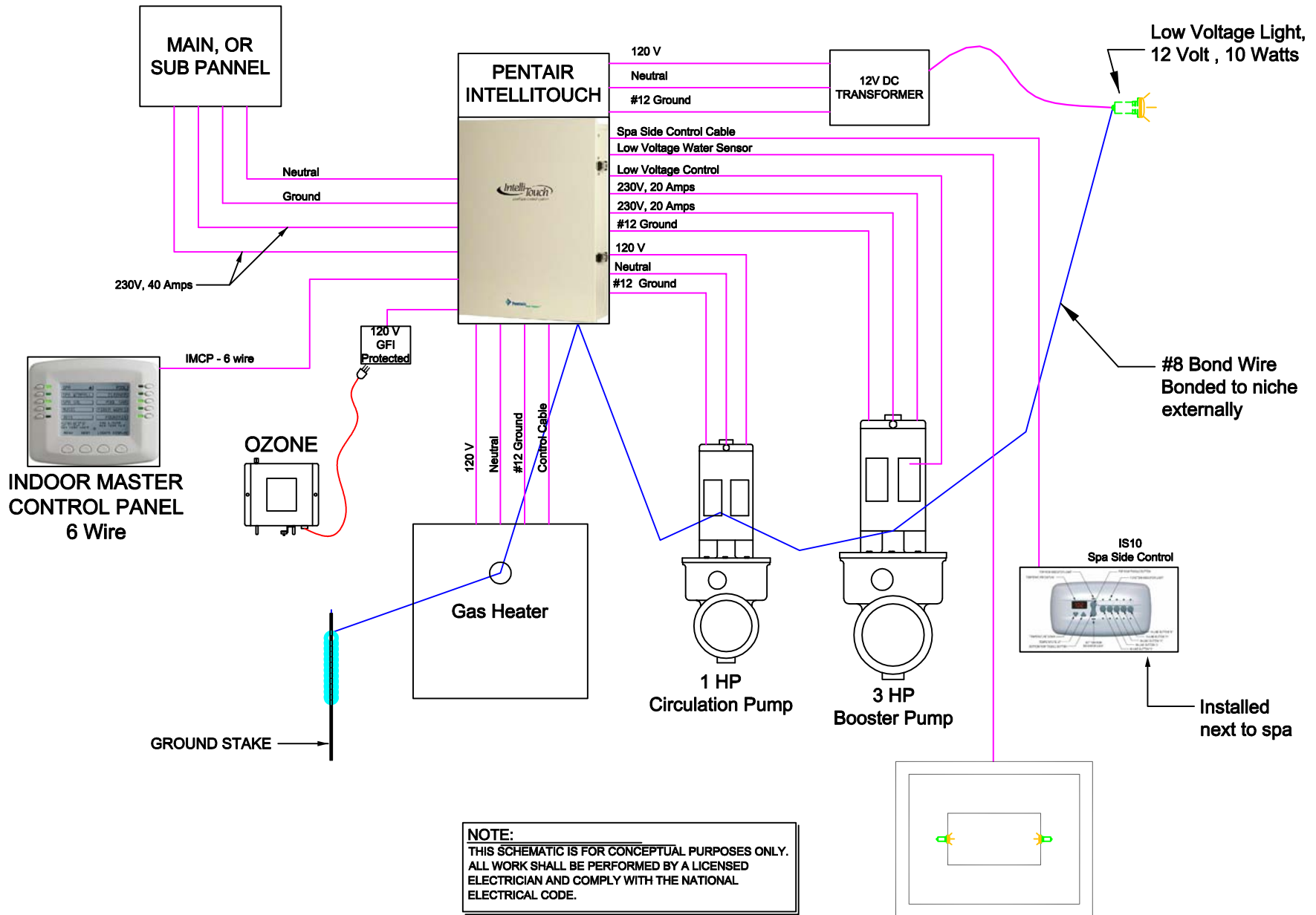
\*ALL DIMENSIONS SUBJECT TO 1/4" TOLERANCES\*

SCALE: N/A

DATE: 06/20/07

JOB: Kimball Loft

DR#: Electrical Schematic







**NESPA ENTERPRISES INC.**  
 2800 Richter Ave. Suite C  
 Oroville, CA 95966  
 Office: (530) 534-9910  
 Fax: (530) 534-9915  
 E-Mail: sales@tiledspas.com  
 Web Site: www.tiledspas.com

# Custom Infinity Edge

## COVER DETAIL

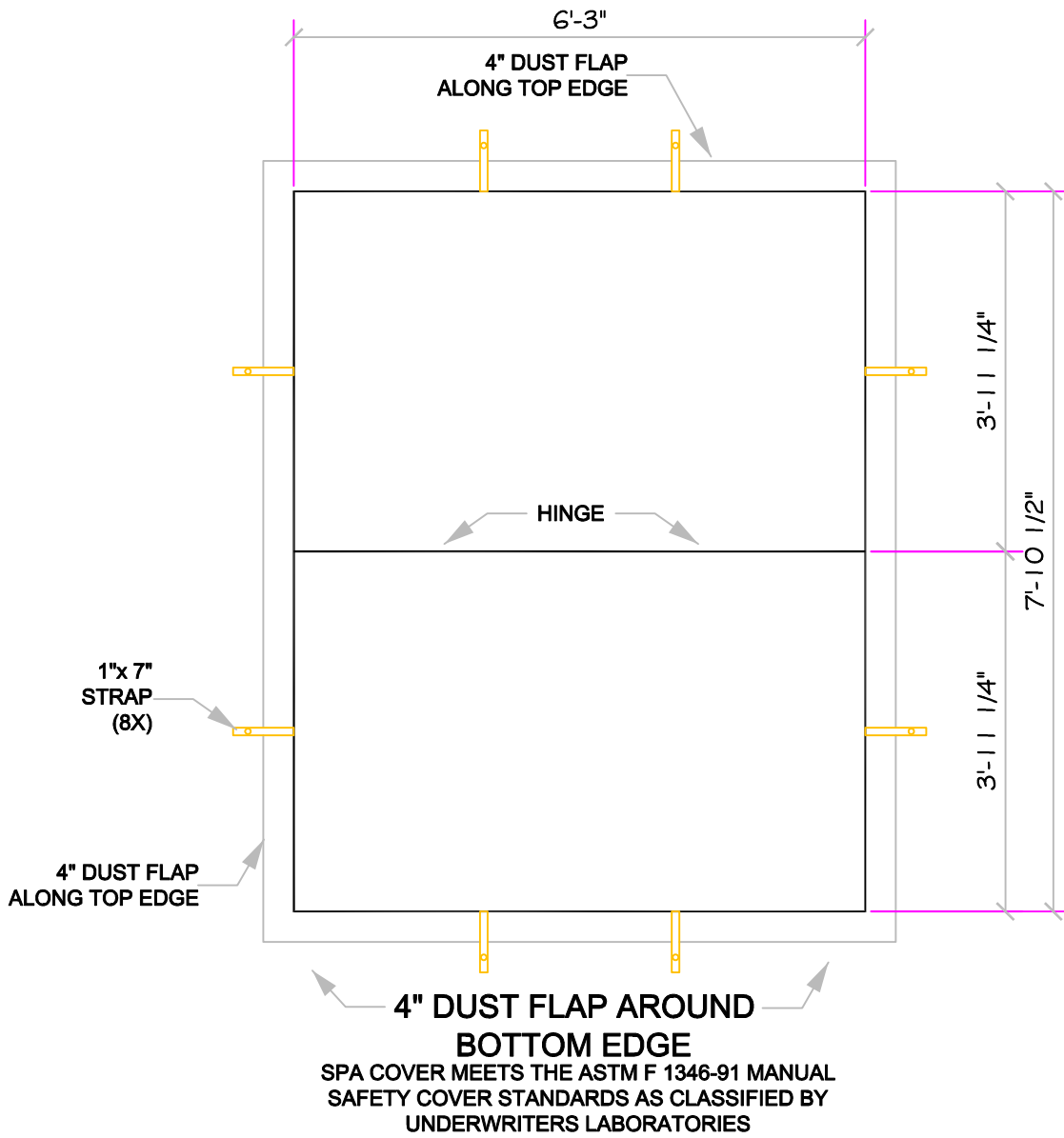
\*ALL DIMENSIONS SUBJECT TO 1/4" TOLERANCES\*

SCALE: 1/2" = 1'-0"

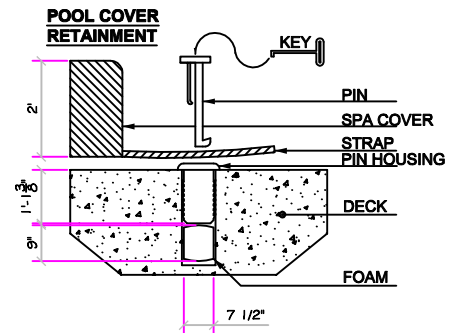
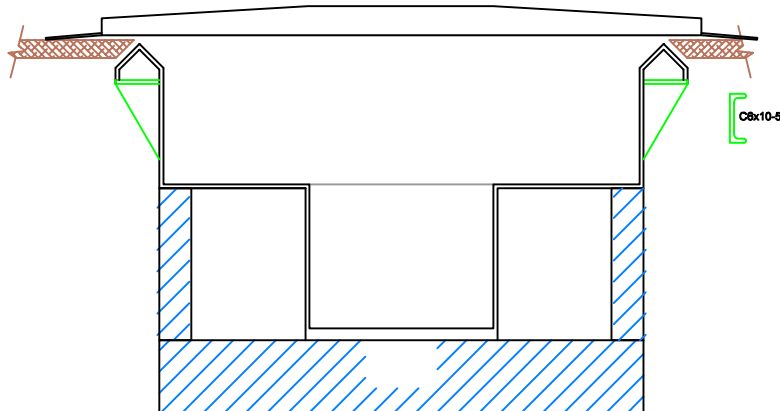
DATE: 06/09/08

JOB: Kimball Loft

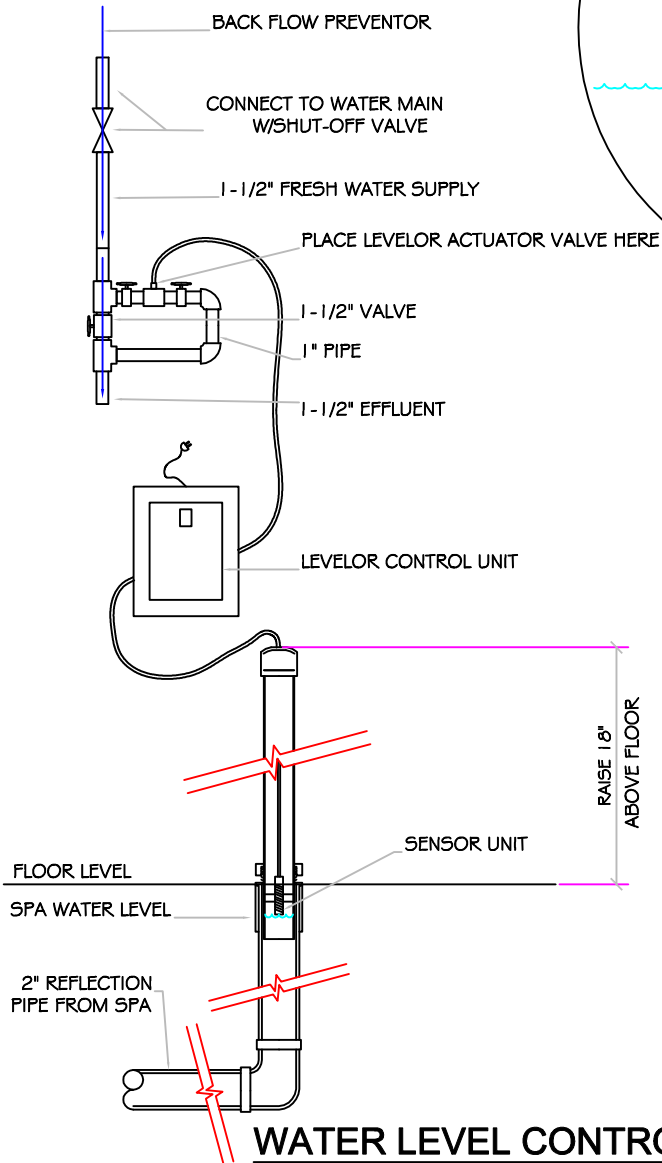
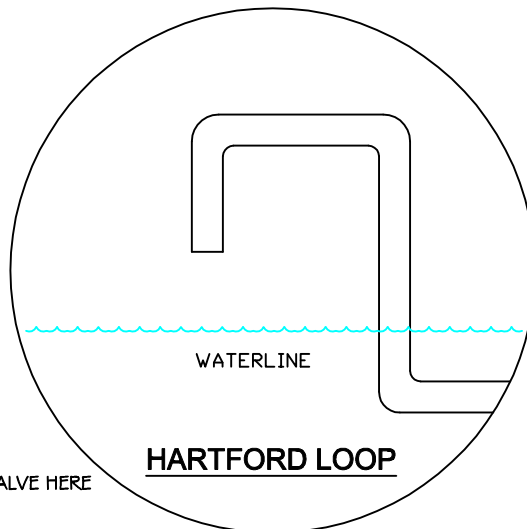
DR#: CD01



**LIGHT GREY**



These drawings, concepts, and details contained herein are the original proprietary designs of NESPA ENTERPRISES, developed over many years of experience in the pool and spa industry and as such are protected by the copyright laws of the United States Government. Reproduction of any of the above without written permission to do so by NESPA ENTERPRISES, is illegal.



Note:  
Conceptual schematic  
of spa equipment  
placement. Code and  
Mechanical compliance  
to be authorized by  
engineer.

### WATER LEVEL CONTROL

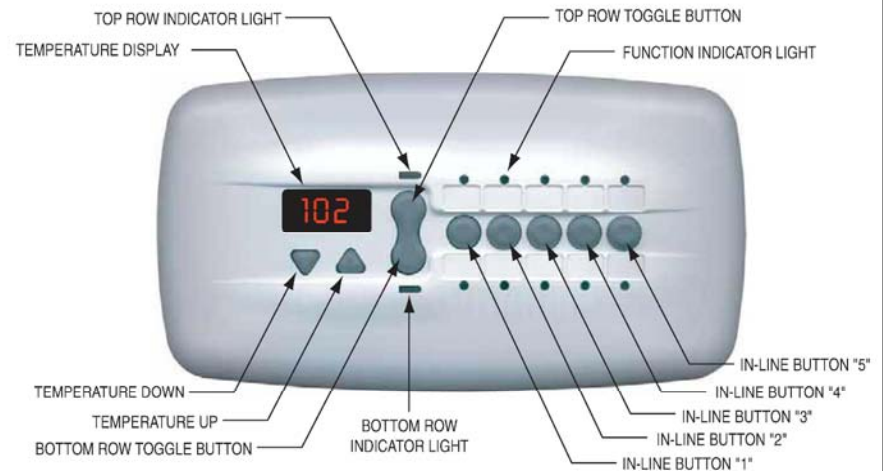
### OPERATING iS10 CONTROLLER

The iS10 spa-side remote is listed to UL 1563 for use with the IntelliTouch Pool and Spa Control System. Each iS10 allows control of up to ten functions from the spa as well as spa temperature adjustment. As many as four iS10's may be installed in an i7+3, i9+3, i9+3S, and i10+3D systems. Only one iS10 is supported by the i5 and i5S systems.

#### Spa-side Remote Features and Operation

Five in-line buttons control up to ten system functions numbered one through five from left to right as shown (if the system allows). Each circuit function is identified by a label above or below the buttons. A "peanut-shaped" middle button toggles between which row of circuit functions will be activated when one of the five in-line buttons are pressed. An LED indicator light above and below the toggle button indicates which row (Top or Bottom) is active. When one of the in-line buttons is pressed, an adjacent LED indicator light will light telling you the circuit has been activated. The default circuits activated by each button are shown below.

Spa temperature is displayed in the area shown. Spa temperature may be adjusted up or down by pressing the appropriate arrow button. The temperature display will blink while being changed. After setting the desired temperature, the display will return to steady and show the actual temperature as it meets the set point. The temperature set by the iS10 is only temporary. When the Spa mode is turned OFF, the temperature set at the Indoor Control Panel will resume the next time the Spa mode is activated. The Spa Mode will automatically turn off after 24 hours.



#### Default IntelliTouch Settings

	TOP ROW	BOTTOM ROW
BUTTON 1 i5, i7+3, i9+3, i10+3D i5S, i9+3S	SPA HI-TEMP	POOL LO-TEMP
2	AUX 1	AUX 5
3	AUX 2	AUX 6
4	AUX 3	AUX 7
5	AUX 4	AUX 8

These drawings, concepts, and details contained herein are the original proprietary designs of NESPA ENTERPRISES, developed over many years of experience in the pool and spa industry and as such are protected by the copyright laws of the United States Government. Reproduction of any of the above without written permission to do so by NESPA ENTERPRISES, is illegal.

**NESPA ENTERPRISES INC.**  
2800 Richter Ave. Ste. C Oroville, CA 95966  
Office: (530) 534-9910 Fax: (530) 534-9915  
E-Mail: [sales@tiledspas.com](mailto:sales@tiledspas.com) Web Site: [www.tiledspas.com](http://www.tiledspas.com)



SIZE  
A

DWG TYPE  
DETAILS

DWG NO.

KIMBALL

REV  
0

SCALE N/A

DATE 6/20/2007

SHEET PAGE 1 OF 1

# STANDARD NESPA IN-GROUND INSTALLATION INSTRUCTIONS

## **SET-UP AND EXCAVATION:**

- 1) In order to determine how to excavate for your spa or swim spa, measure spas inside dimension ( I.D.) and add 8" to all sides. This 8" clearance is to accommodate jet and suction plumbing. This 8" clearance can change or be reduced upon request. Note: skimmer location, this area may have to be larger than 8". If you have questions call us. (888) 479-4677.
- 2) Hole depth is determined by spa's outside height dimension. This height may vary depending if spa has skids or no skids. Also consider the finish surrounding deck elevations, thickness of the finish material on spa upper horizontal lip. This material can be tile, stone, concrete or brick.
- 3) Preplumb spa before it goes into the hole.
- 4) Spa should sit on level 3 1/2" thick reinforced concrete pad.
- 5) Install spa into the hole on top of concrete pad. Do not hold onto pipes. Use caution with suction and jet plumbing when lowering into hole. **DO NOT STRESS FITTINGS !**
- 6) Check site reference points for proper spa positioning (i.e., squaring to house, garage, etc.).
- 7) Shim to level spa. Shim with non-compression able material.
- 8) Dry pack with cement gaps that have been created when shimming spa level.
- 9) Connect pipes to tees if preplumbed. After electrical conduit is connected to light niche, water test spa before back filling with sand.
- 10) All Nespa products are water tested prior to leaving factory.

## **ELECTRICAL:**

- 1) All electrical connections to spa or equipment should comply with the national electrical code. (NEC)
- 2) Connect electrical conduit to light niche. This work should be done or reviewed by a licensed electrician.
- 3) To install spa light you will need to include inside the PVC conduit to the light niche a solid #8 coated copper wire. (If you are use brass conduit, internal bond wire is not required.) This bond wire should be pulled with the light cord at the same time. This bond wire needs to be attached to the internal bonding lug of the light niche. An approved encapsulate should be applied to bond wire connection in niche.
- 4) An external #8 copper wire shall be connected to the external bonding lug on the rear of the light niche. This copper wire can then be used for additional bonding requirements (i.e., handrails or any other metallic object within 5' of the spa.

## **PLUMBING:**

- 1) When plumbing a Nespa it is important to properly size the plumbing. We highly recommend that you follow the pump manufacturer's pipe sizing requirements.  
Example is spas within 50' of equipment, a 2 1/2" suction, a 2 1/2" return would be used.
- 2) The air venturi should be hartford loop adjacent to spa shell and air entry point can be located next to spa or remotely at equipment.
- 3) Fill spa with water and test the system for leaks.

## **SAND BACK FILL:**

- 1) With water in spa, back-fill around spa perimeter with dry plaster sand and wet wash with hydraulic attachment to hose. Let set for one hour and hydraulic dry again. Be sure water level in spa is at the highest level. Any questions please call us. ( 888) 479-4677.

**NESPA ENTERPRISES INC.**

2800 Richter Ave. Suite E

Oroville, CA 95966

Office: (888) 479-4677 Fax: (530) 534-9915

E-Mail: nespa@pacbell.net www.tiledspas.com

**IN-GROUND**

**INSTALLATION**

\*ALL DIMENSIONS SUBJECT TO 1/4" TOLERANCES\*

SCALE: 1/2" = 1'-0"

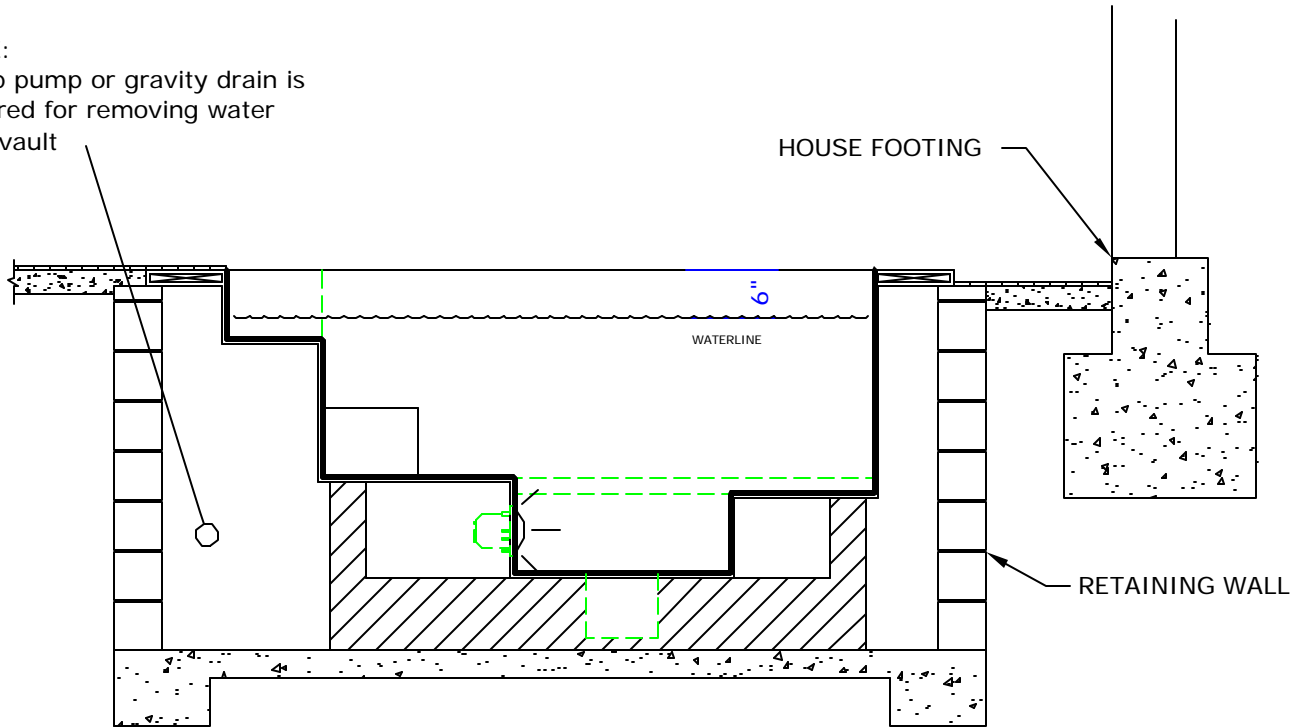
DATE: 3/27/02

JOB : STANDARD INSTALL

DW #: SI-1, SI-2

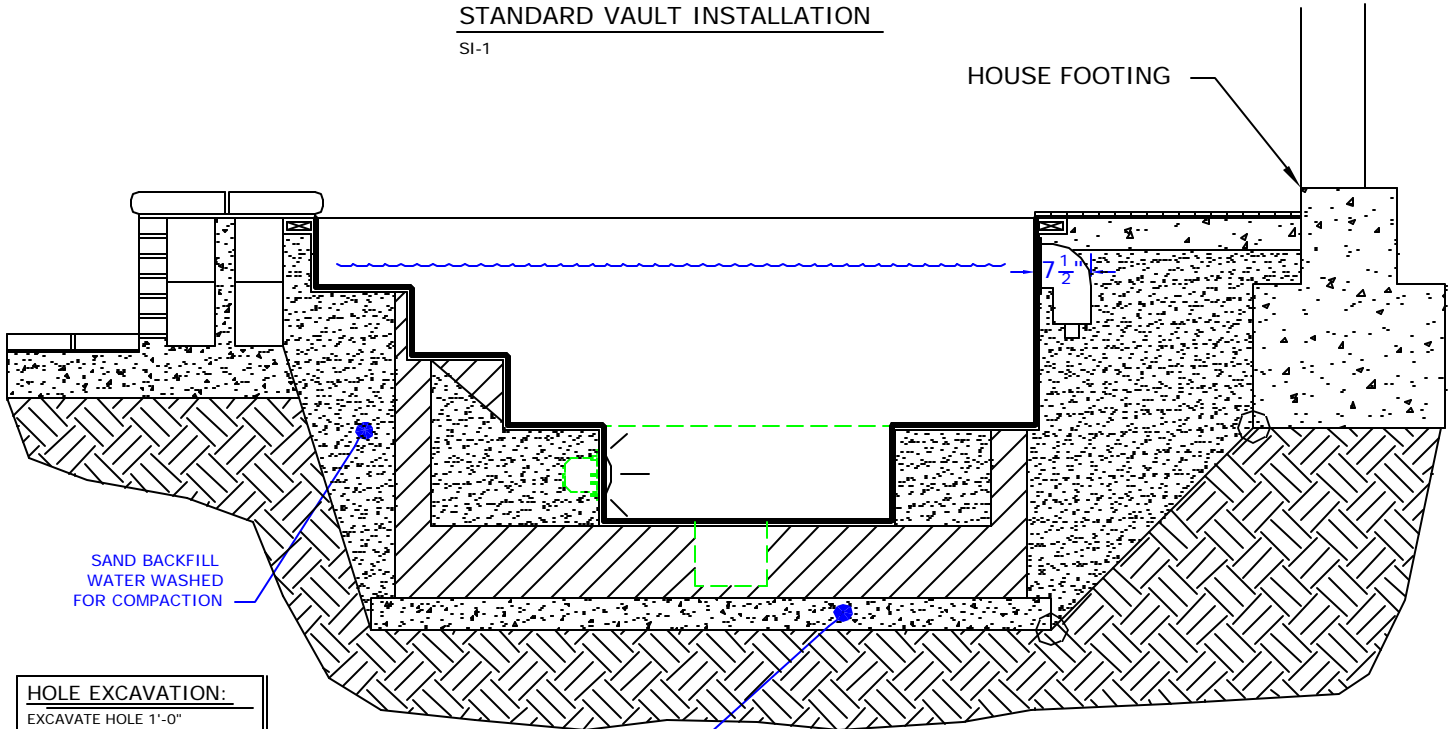
**NOTE:**

Sump pump or gravity drain is required for removing water from vault



**STANDARD VAULT INSTALLATION**

SI-1



**HOLE EXCAVATION:**

EXCAVATE HOLE 1'-0" LARGER THAN THE OUTSIDE DIAMETER (OD) OF SPA

4" CONCRETE SLAB REINFORCED WITH #10 MESH

**STANDARD INGROUND INSTALLATION**

SI-2

**NOTE:**

Footing can not surcharge spa. Slope from bottom of slab to nearest corner of house footing must not exceed 1" = 1".

## POOL BONDING REQUIREMENTS:

1. THE FOLLOWING PARTS SHALL BE BONDED TOGETHER AND CONNECTED TO THE COMMON BONDING GRID.

- A. ALL THE METALLIC PARTS OF THE POOL STRUCTURE INCLUDING COPING STONES, DECK, PERMANENT PLAY STRUCTURES, PERMANENT EXERCISE STRUCTURES.
- B. ALL METAL FITTINGS WITHIN OR ATTACHED TO THE POOL STRUCTURE
- C. METAL PARTS ASSOCIATED WITH THE POOL WATER CIRCULATING SYSTEM, INCLUDING PUMPS, FILTERS, AND HEATERS.
- D. METAL PARTS ASSOCIATED WITH POOL COVERS
- E. METAL SHEATHED CABLES AND RACEWAYS, METAL PIPING AND ALL FIXED METAL PARTS WITHIN 5 FEET HORIZONTALLY OF INSIDE WALLS OF POOL AND WITHIN 12 FEET ABOVE MAXIMUM WATER LEVEL OF POOL.
- F. METAL PARTS ASSOCIATED WITH OBSERVATION STANDS, TOWERS, PLATFORMS, AND DIVING STRUCTURES.

2. BONDING CONDUCTORS SHALL BE MINIMUM #8 SOLID COPPER, INSULATED E.C. SHALL COORDINATE APPROVED CONNECTOR TYPE AND METHOD WITH LOCAL ELECTRICAL AND/OR POOL INSPECTOR.

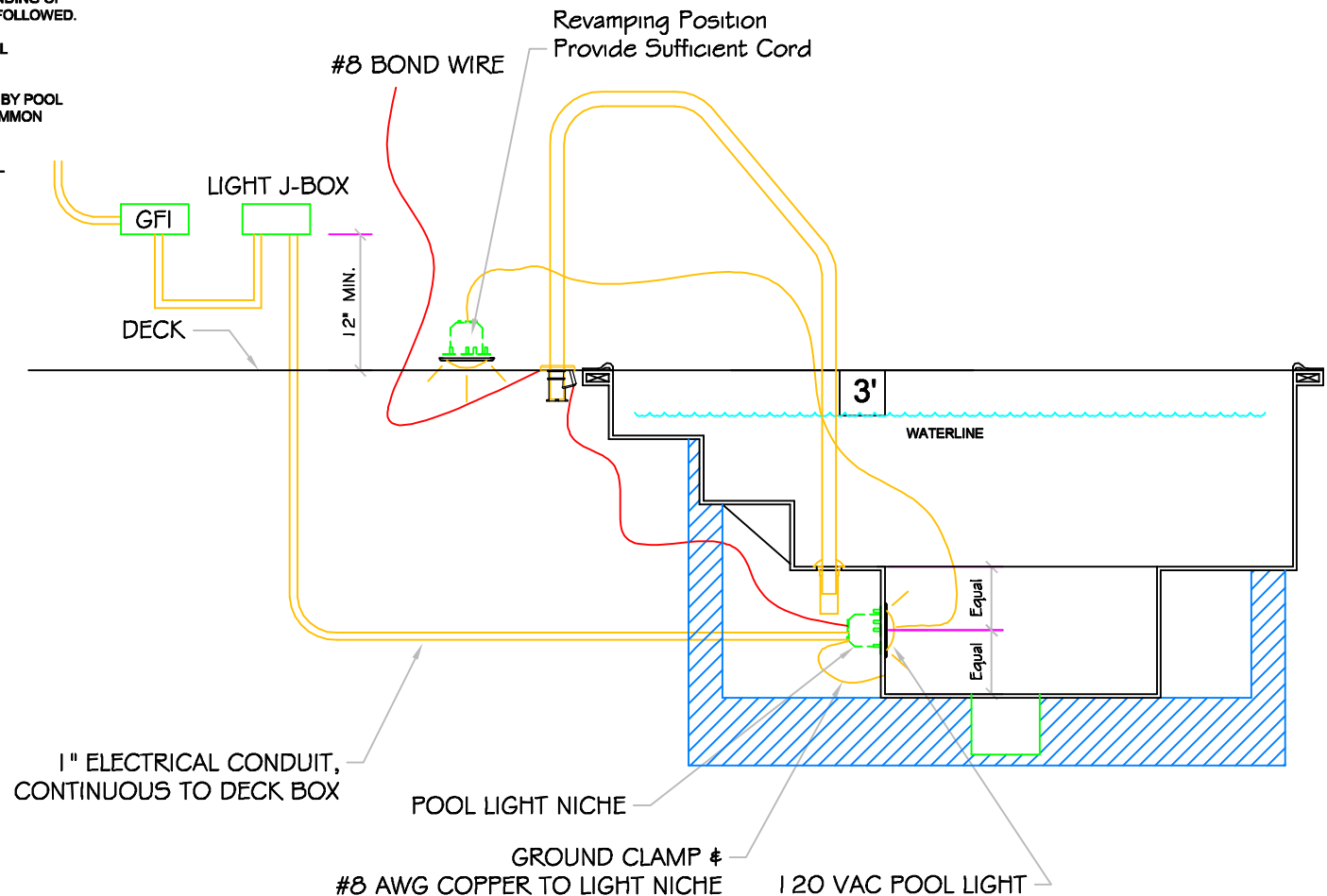
3. SPECIFIC MANUFACTURER'S INSTRUCTIONS REGARDING BONDING OR GROUNDING OF POOL EQUIPMENT, WHETHER INDICATED HEREIN OR NOT, SHALL BE STRICTLY FOLLOWED.

4. THE COMMON BONDING GRID SHALL NOT BE CONNECTED TO ANY ELECTRICAL DISTRIBUTION EQUIPMENT.

5. ANY PARTS IN ADDITION TO THOSE DESCRIBED HEREIN THAT ARE INDICATED BY POOL CONTRACTOR OR LOCAL INSPECTION AUTHORITY SHALL BE BONDED TO THE COMMON BONDING GRID WITH NO ADDITIONAL COSTS INCURRED BY THE OWNER.

6. THE ELECTRICAL CONTRACTOR SHALL COORDINATE BONDING WITH GENERAL CONTRACTOR.

## LIGHT DETAIL



\*ALL DIMENSIONS SUBJECT TO 1/4" TOLERANCES\*

These drawings, concepts, and details contained herein are the original proprietary designs of NESPA ENTERPRISES, developed over many years of experience in the pool and spa industry and as such are protected by the copyright laws of the United States Government. Reproduction of any of the above without written permission to do so by NESPA ENTERPRISES, is illegal.

**NESPA ENTERPRISES INC.**

2800 Richter Ave. Ste. C Oroville, CA 95966

Office: (530) 534-9910

Fax: (530) 534-9915

E-Mail: [sales@tiledspas.com](mailto:sales@tiledspas.com)

Web Site: [www.tiledspas.com](http://www.tiledspas.com)



SIZE

A

DWG TYPE

LIGHT DETAIL

DWG NO.

SPA DETAILS

REV

0

SCALE 1/2" = 1'

DATE 2/5/2007

SHEET

PAGE 1 OF 1



## **NESPA ENTERPRISES, Inc. LIMITED WARRANTY**

**This LIMITED WARRANTY covering NESPA products is extended to the ORIGINAL PURCHASER-USER BY NESPA ENTERPRISES Inc. (NESPA), 2800 Richter Ave. Unit E California 95965.**

**NESPA products are thoroughly inspected and tested prior to factory shipment. NESPA warrants to the ORIGINAL PURCHASER-USER that NESPA Spas and Swim Spas will be free of defect in workmanship, accessories and parts, provided said accessories and parts were manufactured by NESPA. NESPA, under this LIMITED WARRANTY, warrants only that its Spas and Swim Spas shall be structurally sound, shall retain their shape, and shall retain water for the warranty period. NESPA warrants the adhesion of tile to fiberglass for a period of five (5) years and structural soundness for ten (10) years. NESPA warrants epoxy grout adhesion for a period of three years. If any such defects appear and are reported within the warranty period, NESPA shall repair or replace such defective parts without charge if an inspection proves the claim.**

**The provisions of the LIMITED WARRANTY shall not apply to tile cracked, split, chipped or damaged after the product has left the factory, nor damage to tile caused by freezing nor to damage, defect, malfunction or failure to conform with the above warranty provisions where the damage, defect, malfunction or failure to conform was caused during shipment or by distributor or by unreasonable use by ORIGINAL PURCHASER-USER including improper water balance and improper sand pack or support.**

**This LIMITED WARRANTY shall not apply to any plumbing, equipment, or installation of spas and Swim Spas and shall not apply to any alterations made to or upon NESPA products except alterations made by NESPA employees or NESPA authorized representatives.**

**This LIMITED WARRANTY is expressly in lieu of all other warranties expressed or implied including the warranties of merchantability and fitness for use and all other obligations or liabilities on NESPA'S part, and NESPA neither assumes nor authorizes any other person to assume for NESPA any other liability in connection with the sale of this NESPA product. This LIMITED WARRANTY shall not apply to this NESPA product or any part thereof, which has been subject to accident, negligence, alteration, abuse or misuse. NESPA makes no warranty whatsoever with respect to accessories or parts not manufactured by NESPA.**

**The term "ORIGINAL PURCHASER-USER" as used in this LIMITED WARRANTY shall be deemed to mean that person for whom the NESPA product is originally installed.**

**The LIMITED WARRANTY provided herein and the obligations and liabilities of NESPA hereunder are exclusive and are in lieu of, and buyer and original PURCHASE-USER hereby waive all other remedies, warranties, guarantees or liabilities, expressed or implied, arising by law or otherwise (including without limitation and obligations of NESPA with respect to fitness, merchantability, and consequential damages) or whether or not occasioned by NESPA'S negligence.**

**This LIMITED WARRANTY shall not be extended, altered or varied except by a written instrument signed by NESPA and original PURCHASER-USER.**