



# NESPA ENTERPRISES INC.

2800 Richter Ave. Suite C  
Oroville, CA 95966  
Office: (530) 534-9910 Fax: (530) 534-9915  
E-Mail: sales@tiledspas.com  
Web Site: www.tiledspas.com

# KAUFMAN SPA DETAIL

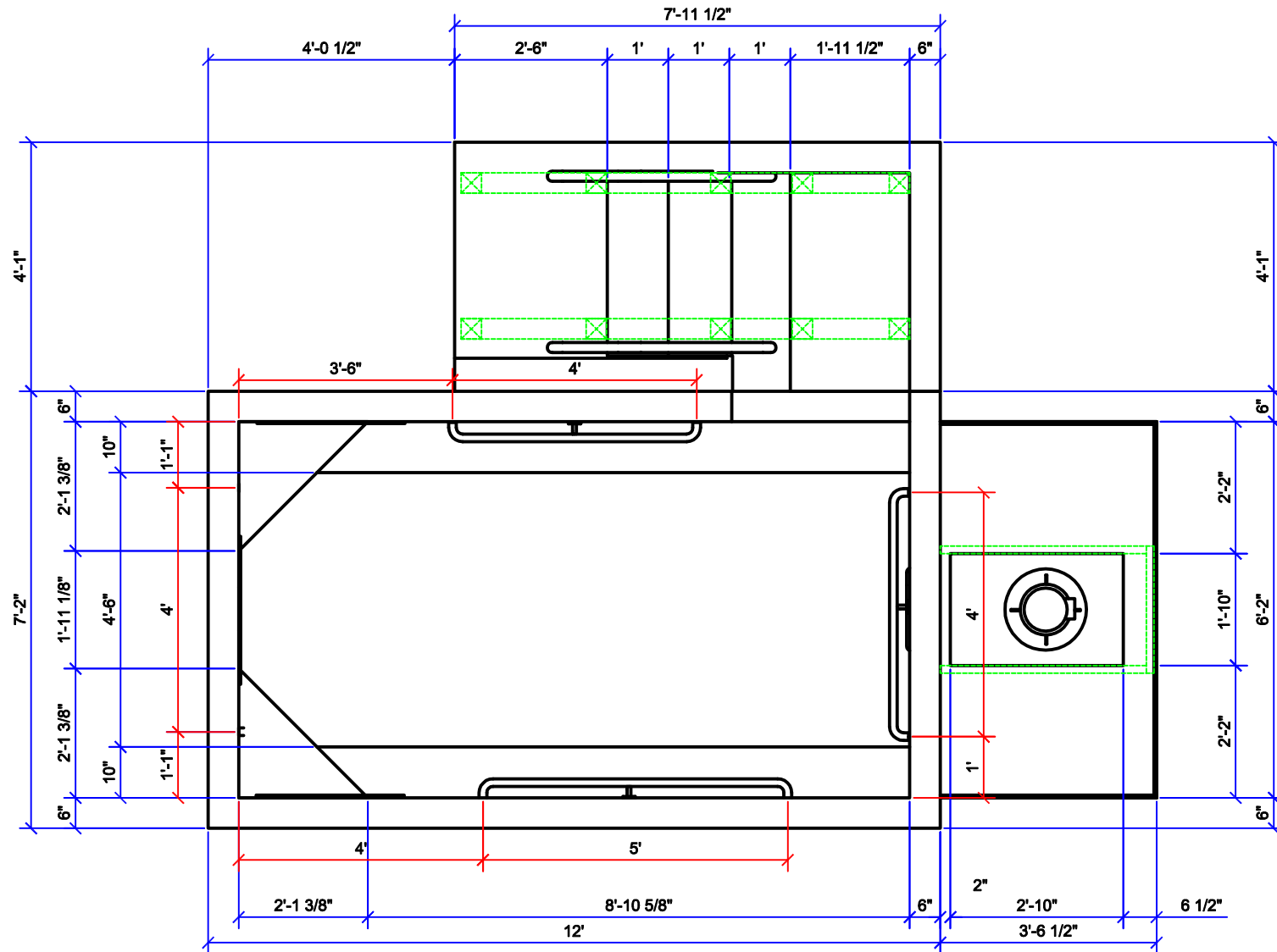
\*ALL DIMENSIONS SUBJECT TO 1/4" TOLERANCES\*

SCALE: 3/8" = 1'-0"

DATE: 11/30/05

JOB: KAUFMAN

DR#: KFM-SD05





# NESPA ENTERPRISES INC.

2800 Richter Ave. Suite C  
 Oroville, CA 95966  
 Office: (530) 534-9910 Fax: (530) 534-9915  
 E-Mail: sales@tiledspas.com  
 Web Site: www.tiledspas.com

# KAUFMAN

## SPA SECTION

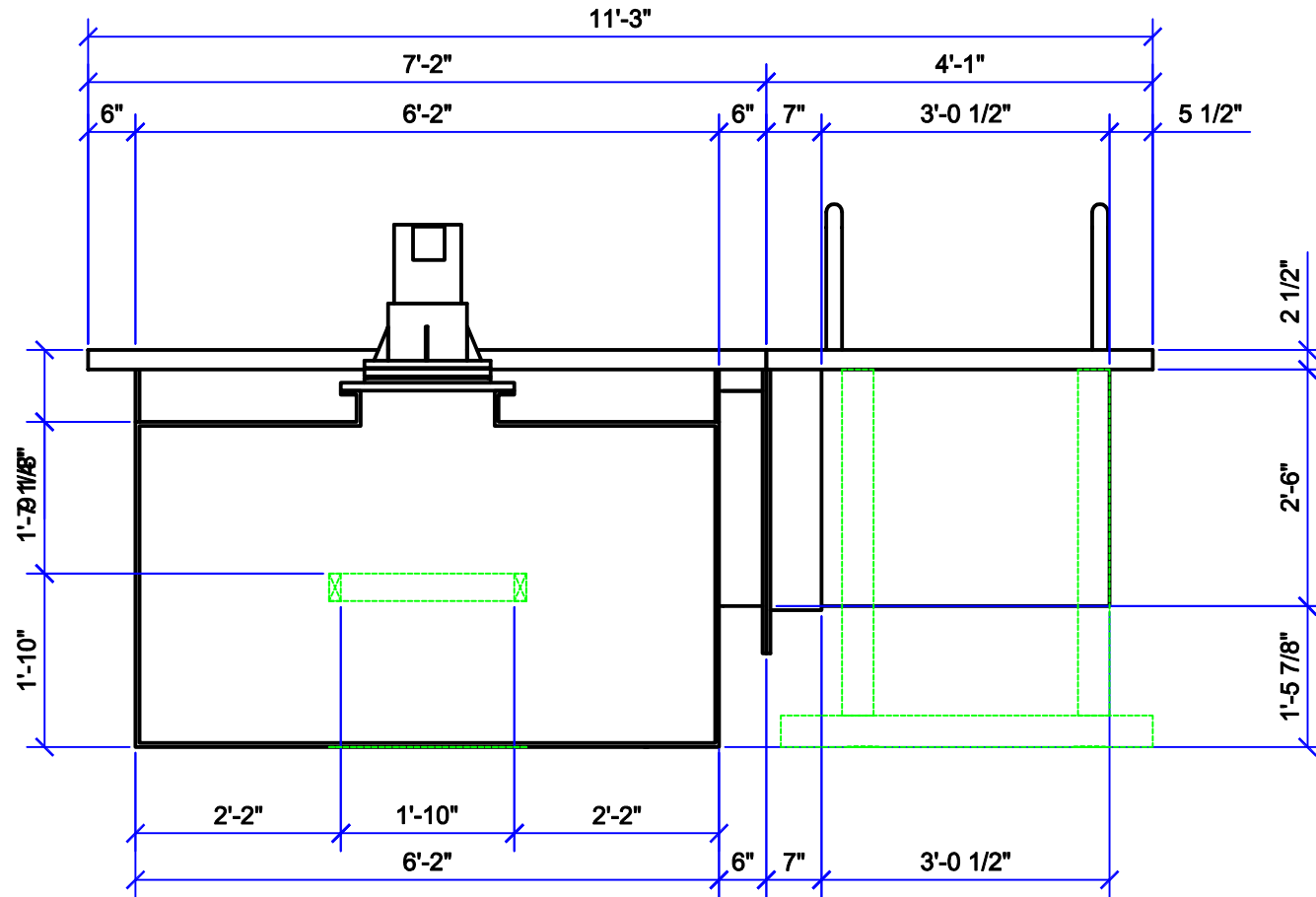
\*ALL DIMENSIONS SUBJECT TO 1/4" TOLERANCES\*

SCALE: 1/2" = 1'-0"

DATE: 11/22/05

JOB: KAUFMAN

DR#: KFM-SS05





# NESPA ENTERPRISES INC.

2800 Richter Ave. Suite C  
Orville, CA 95966  
Office: (530) 534-9910 Fax: (530) 534-9915  
E-Mail: sales@tiledspas.com  
Web Site: www.tiledspas.com

# KAUFMAN SPA SECTION

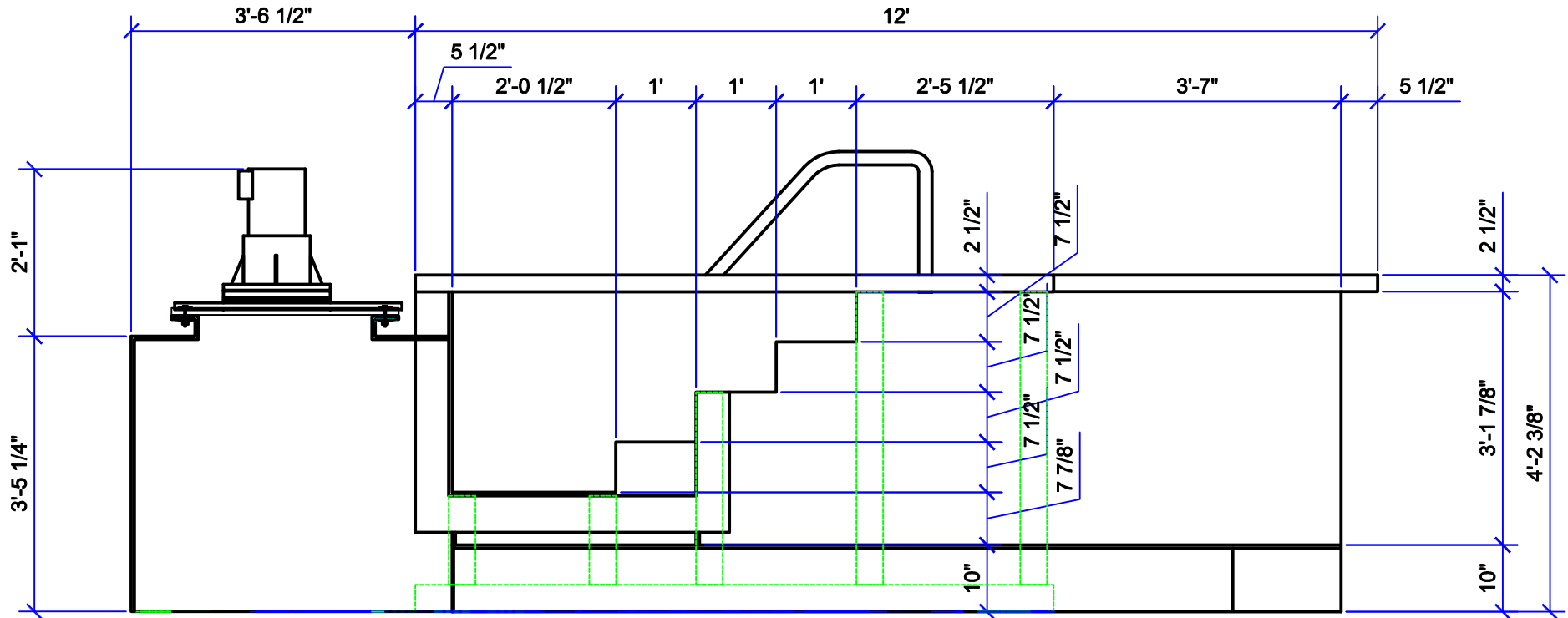
\*ALL DIMENSIONS SUBJECT TO 1/4" TOLERANCES\*

SCALE: 1/2" = 1'-0"

DATE: 11/22/05

JOB: KAUFMAN

DR#: KFM-SS05





**NESPA ENTERPRISES INC.**

2800 Richter Ave. Suite C  
Oroville, CA 95966  
Office: (530) 534-9910 Fax: (530) 534-9915  
E-Mail: sales@tiledspas.com  
Web Site: www.tiledspas.com

# KAUFMAN SPA LAYOUT

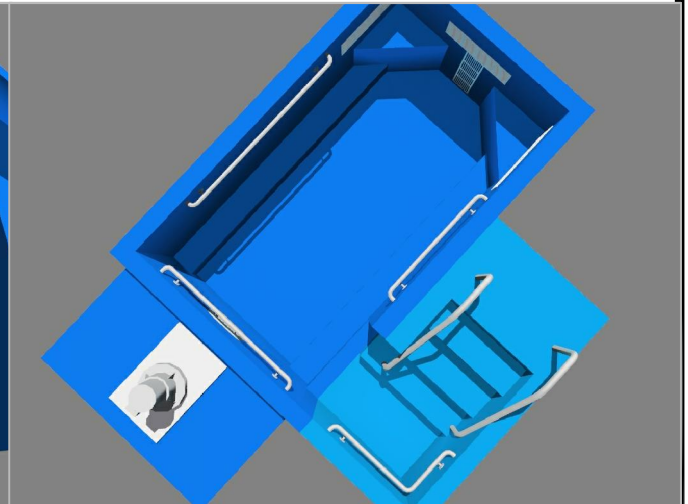
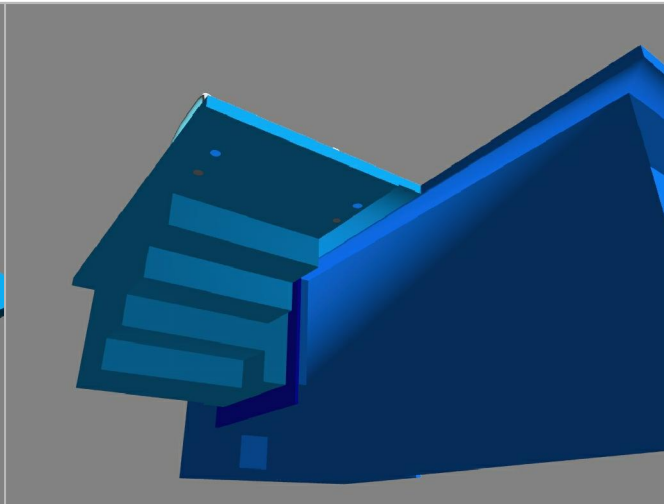
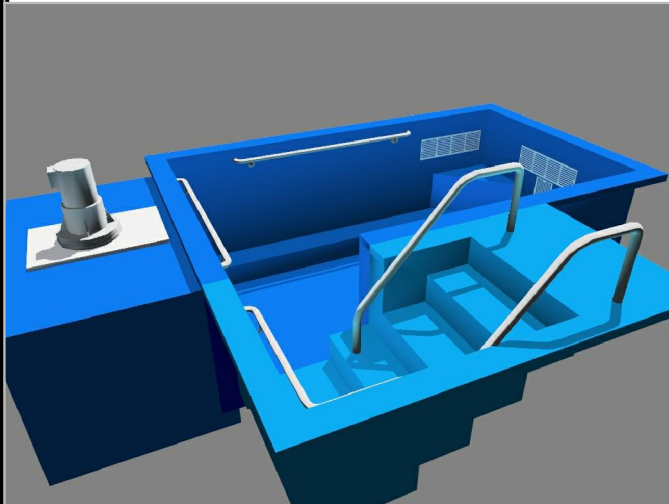
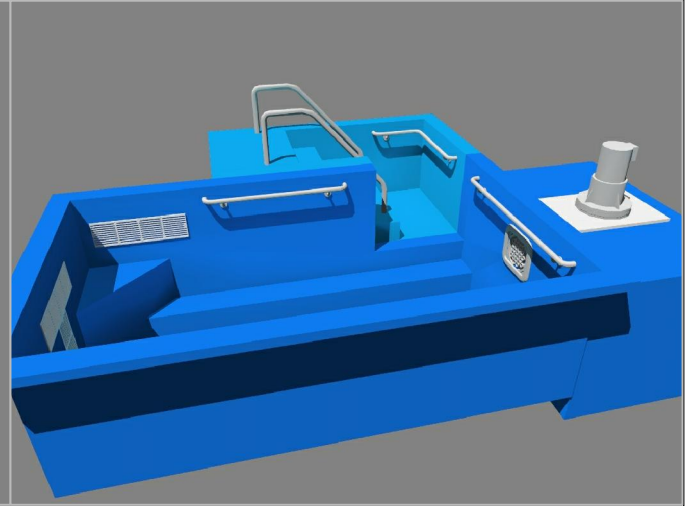
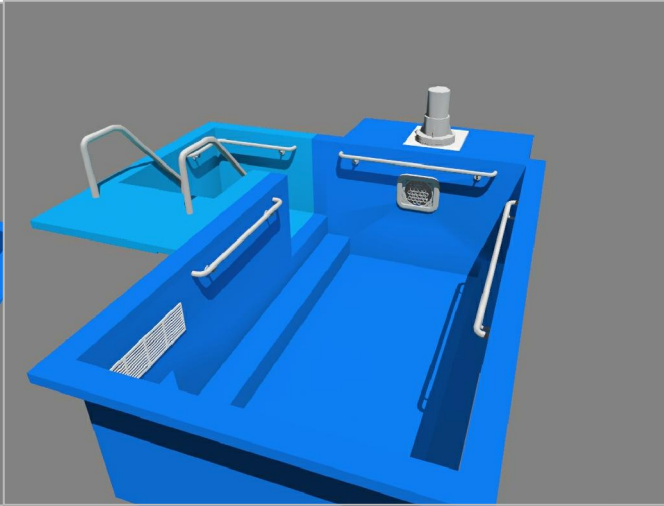
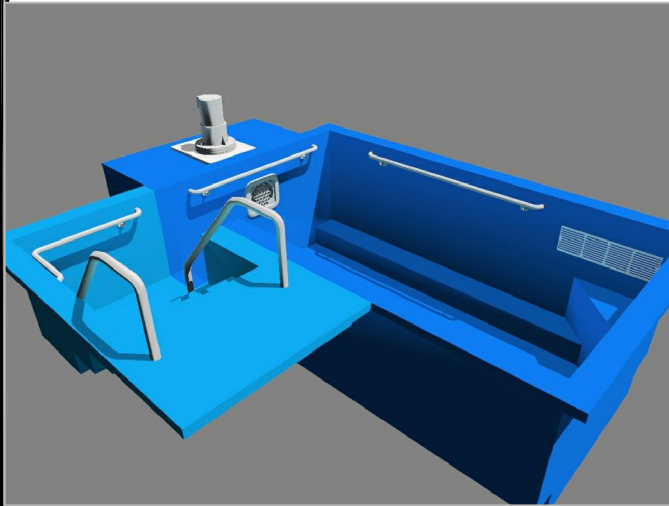
\*ALL DIMENSIONS SUBJECT TO 1/4" TOLERANCES\*

SCALE: N/A

DATE: 11/10/05

JOB: KAUFMAN

DR#: KFM-3D03





**NESPA ENTERPRISES INC.**  
 2800 Richter Ave. Suite C  
 Oroville, CA 95966  
 Office: (530) 534-9910  
 Fax: (530) 534-9915  
 E-Mail: sales@tiledspas.com  
 Web Site: www.tiledspas.com

# KAUFMAN

## PUMP & PLATE DETAIL

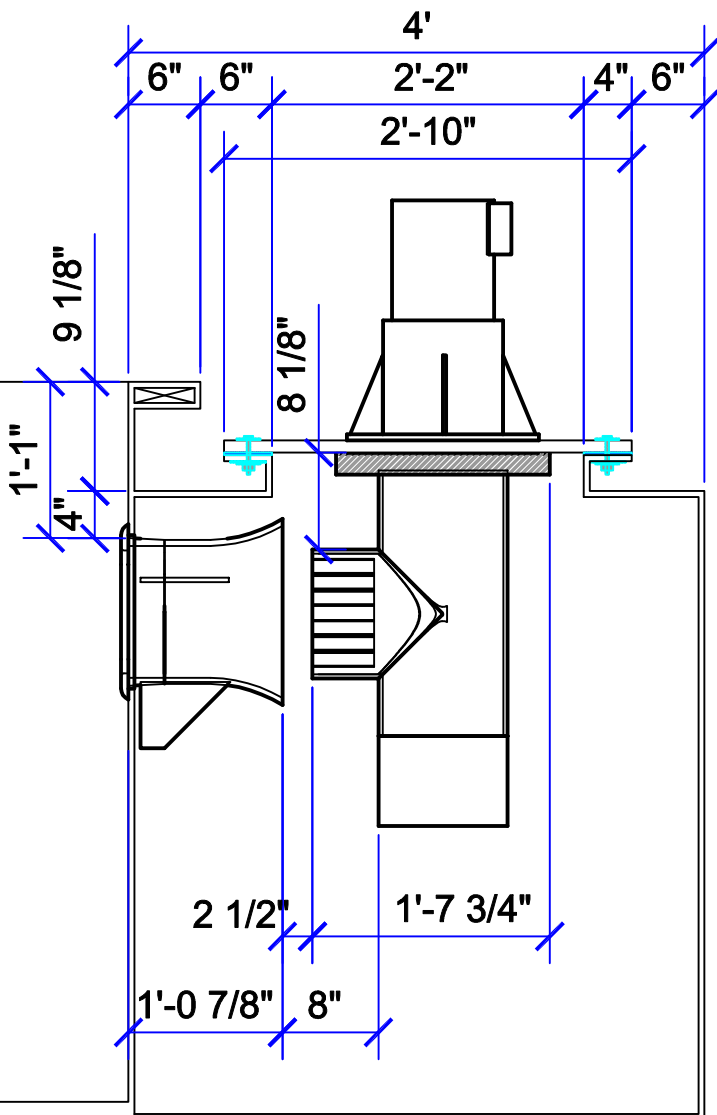
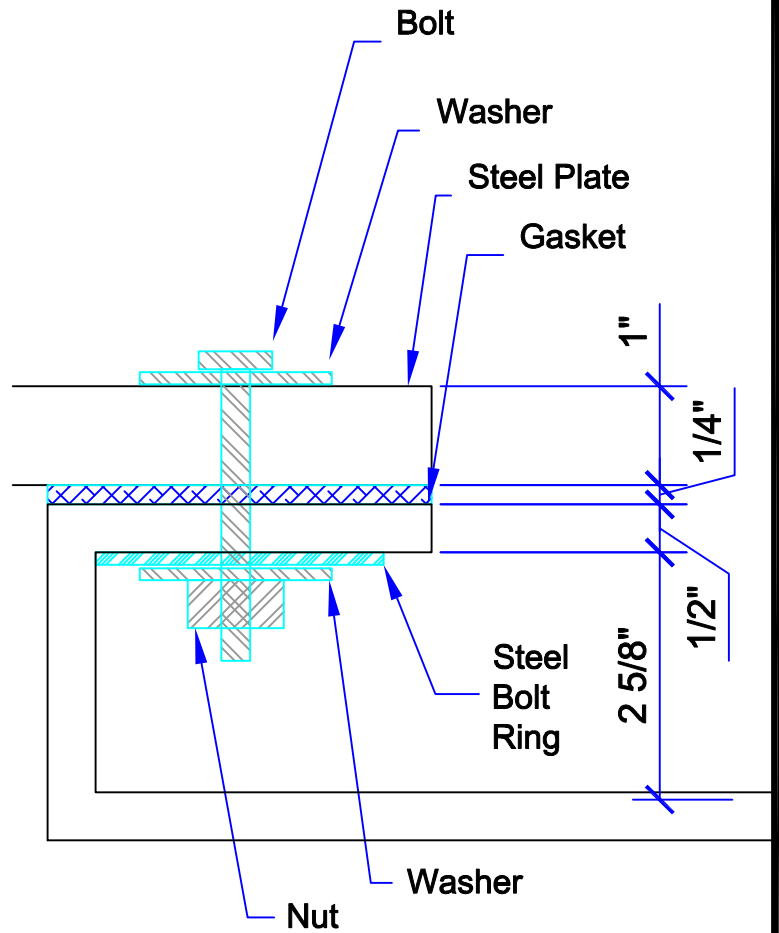
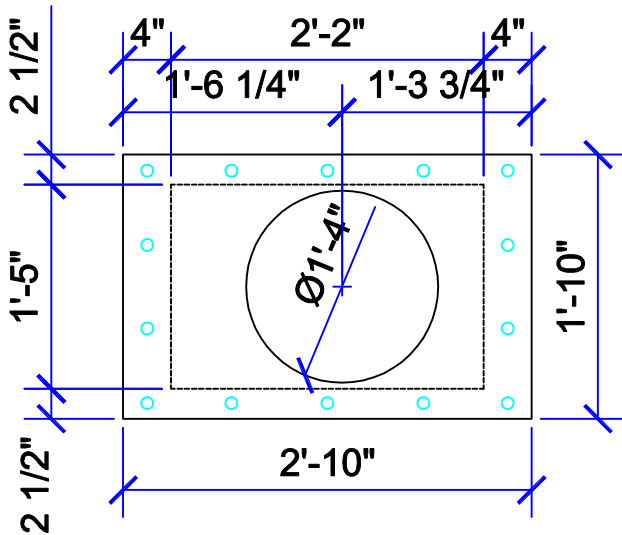
\*ALL DIMENSIONS SUBJECT TO 1/4" TOLERANCES\*

SCALE: 3/4" = 1'-0"

DATE: 11/21/05

JOB: KAUFMAN

DR#: KFM - PD03



These drawings, concepts, and details contained herein are the original proprietary designs of NESPA ENTERPRISES, developed over many years of experience in the pool and spa industry and as such are protected by the copyright laws of the United States Government. Reproduction of any of the above without written permission to do so by NESPA ENTERPRISES, is illegal.

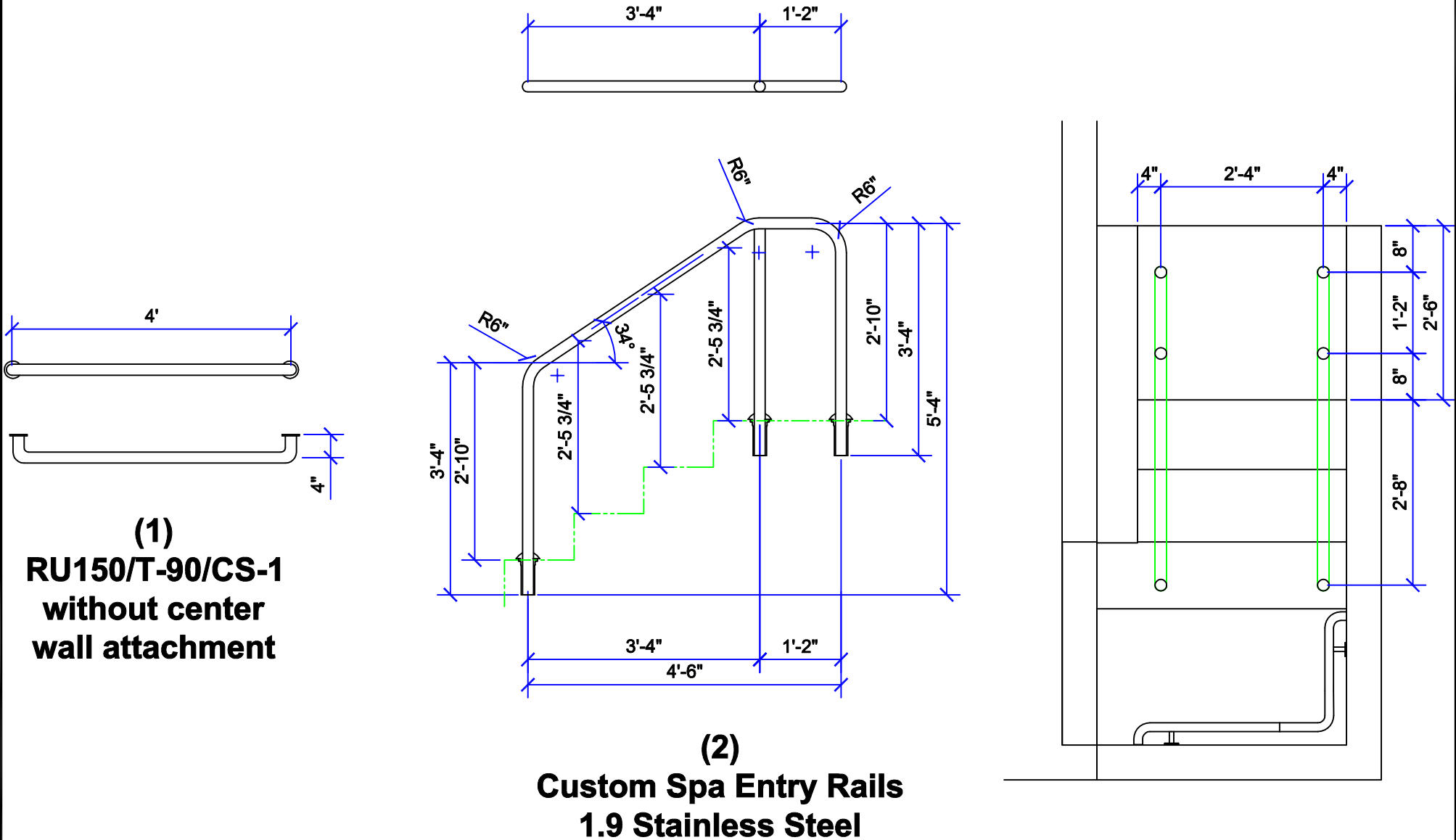


**NESPA ENTERPRISES INC.**  
 2800 Richter Ave. Suite C  
 Oroville, CA 95966  
 Office: (530) 534-9910 Fax: (530) 534-9915  
 E-Mail: sales@tiledspas.com  
 Web Site: www.tiledspas.com

# KAUFMAN HANDRAIL DETAIL

\*ALL DIMENSIONS SUBJECT TO 1/4" TOLERANCES\*

SCALE: 1/2" = 1'-0"  
 DATE: 11/29/05  
 JOB: KAUFMAN  
 DR#: KFM-HR02



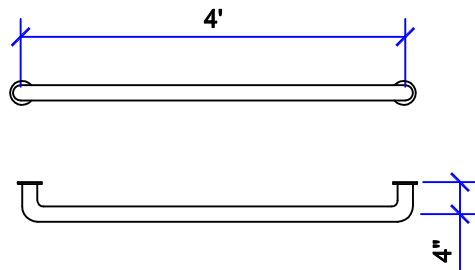


**NESPA ENTERPRISES INC.**  
 2800 Richter Ave. Suite C  
 Oroville, CA 95966  
 Office: (530) 534-9910 Fax: (530) 534-9915  
 E-Mail: sales@tiledspas.com  
 Web Site: www.tiledspas.com

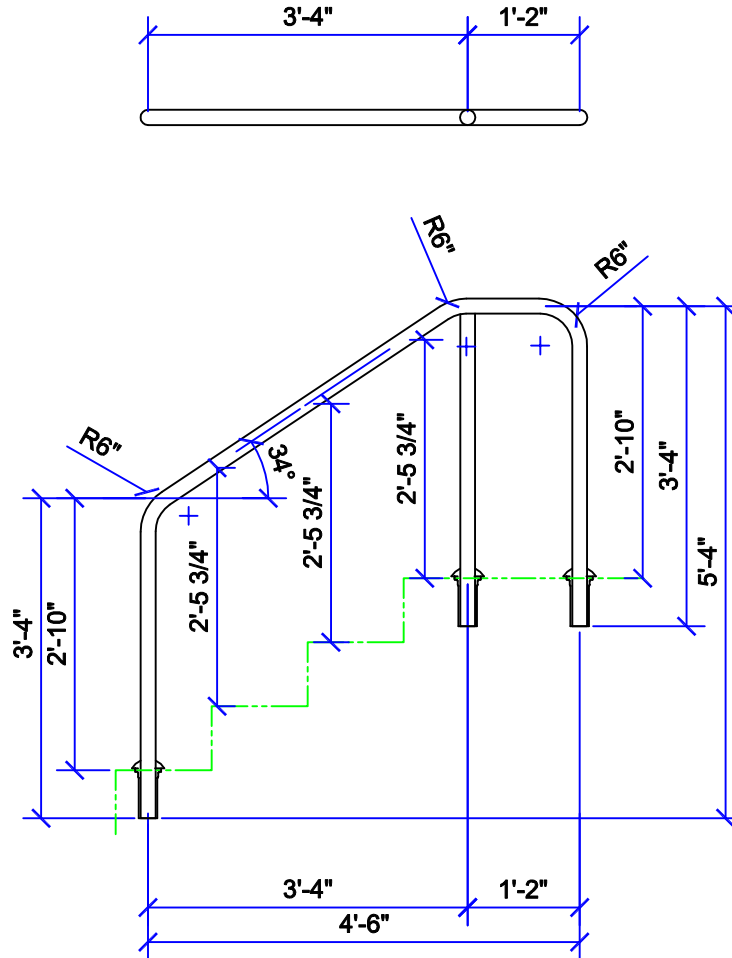
# KAUFMAN HANDRAIL DETAIL

\*ALL DIMENSIONS SUBJECT TO 1/4" TOLERANCES\*

SCALE: 1/2" = 1'-0"  
 DATE: 11/30/05  
 JOB: KAUFMAN  
 DR#: KFM-HR03



**(1)  
RU150/T-90/CS-1  
without center  
wall attachment**



**(2)  
Custom Spa Entry Rails  
1.9 Stainless Steel**