



NESPA
TILED SPAS

Production Booklet

for

Gas Company SPA

2800 Richter Ave. Suite C, Oroville, CA 95965 • **voice:** (530)534-9910
fax: (530)534-9915 • **email:** sales@tiledspas.com • **website:** www.tiledspas.com



RECOMMENDED MAINTENANCE

Please Note:

These are only recommended guidelines to care for a Nespa all tiled spa. Local codes may require additional procedures, therefore consult with a pool professional that is LA county Health Department certified for more information on local codes and requirements.

SPA SURFACE

Your spa tile is acid resistant and frost-proof. The Tile does not absorb germs or algae. Tile does not stain and is very easy to clean. Color does not fade or lose its luster. All grouts are epoxy based and are extremely durable. To remove scum line use soft nylon brush and small amounts of biodegradable soaps. Do not use abrasive brushes or chemicals.

MAINTENANCE

A. CHEMICALS:

- 1) It is important to maintain a chlorine residual of 2 PPM in the spa. That residual can be provided by chlorine or bromine.
- 2) It is recommended to use Bromine or dichlor (granular) forms of chlorine. If bromine Tabs are used we suggest floating or inline dispenser.
- 3) Never use acid to lower Ph in the tile spa.
- 4) Never use trichlor chlorine (1" or 3") tablets in the Nespa spas.
- 5) Never place tablets in skimmer basket.

B. DRAINING THE SPA:

- 1) It is recommended to drain the spa at least once every 2 months depending on bath load and water clarity.
- 2) The spa should be drained through valve exiting re-circulation pump in the spa equipment room or sump pump.
- 3) Note: Use caution to drain spa in the winter months or rainy season when water table is at its highest. It is possible for the spa to float due to hydraulic pressure from surrounding water table. We advise that you consult with your local spa specialist prior to draining the spa.

C. SPA EQUIPMENT:

- 1) Clean filter cartridge at least once every month, or when needed; i.e., if water clarity does not improve after several days.
- 2) Keep area free and clear from leaves and debris build-up.
- 3) Keep area free and clear from flooding.

D. SPA LIGHT:

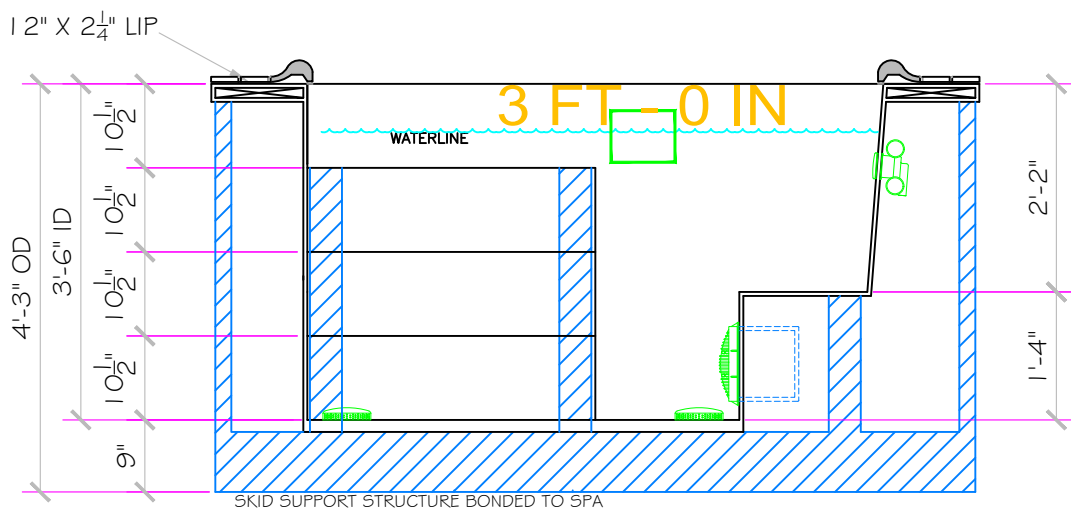
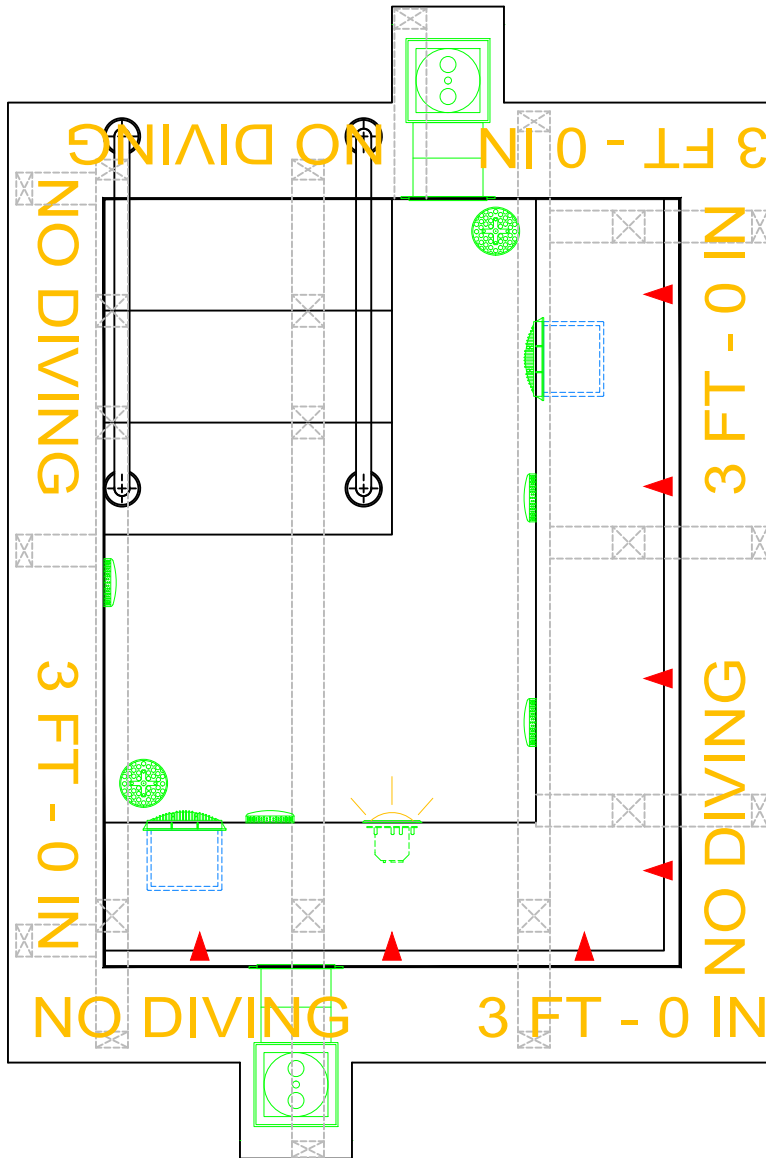
- 1) Spa light has to be on GFCI circuit. It is controlled at spa side with ON/OFF.

E. TILE SERVICING:

- 1) Contact manufacture when servicing tile or grout. @ (530) 534-9910

SPECIFICATIONS	
SHELL WEIGHT:	1900 LBS.
WATER WEIGHT:	4864 LBS.
TOTAL SHELL & WATER WEIGHT:	6764.1 LBS.
WATER VOLUME:	97.5 Cu.Ft.
WATER GALLONS:	729 GAL.
SURFACE AREA:	48.0 SQ. FT.
ICC ES LISTED #:	PMG-1161

SKID SUPPORT STRUCTURE BONDED TO SPA	
	*SKIDS SUPPLIED BY NESPA
LIGHT NICHE	
	SPA BRIGHT, 120 V, 100 WATT, 5' CORD, UL APPROVED
MAIN DRAIN	
	AquaStar 32CDPLFR, 32" Channel Drain, Approved Max Flow Rate: Floor = 236 GPM @ 3.4 fps Wall = 136 GPM @ 1.9 fps V.G.B Approved Safety Drain
SIDEWALL SUCTION	
	WATERWAY # 640-479X V 9" X 9" FRAME, 43.6 sq. in. open area Max Flow 289 GPM @ 1.5 fps (floor) Max Flow 208 GPM @ 1.5 fps (wall) COMPLIES W/ ANSI CODE ASME A112.19.8-08 UL APPROVED
MAIN DRAIN	
	6" Round Hockey Puck AquaStar 6HPHxxx Sumpless Suction Outlet Floor/Wall 224 GPM @ 6.3fps Complies w/ ANSI Code ASME A112.19.8-2008 & VGB 2008
SKIMMER	
	HAYWARD SP-1084FVE SURFACE SKIMMER W/ EQUALIZER NSF APPROVED
JET	
	HYDRO INLETS 1-1/2" WATER - 1-1/2" AIR HYDROAIR #10-5100 COMPLIES W/ ANSI CODE ASME A112.19.8-08 UL APPROVED
RETURN	
	INLET FITTINGS 1-1/2" WALL TYPE W/ EYEBALL HYDROAIR #10-3500 COMPLIES W/ ANSI CODE ASME A112.19.8-08 UL APPROVED
FILL	
	INLET FITTINGS 1-1/2" WALL TYPE W/ EYEBALL HYDROAIR #10-3500 COMPLIES W/ ANSI CODE ASME A112.19.8-08 UL APPROVED



All drawing dimensions supplied by **NESPA ENTERPRISES INC.** are for reference only. All CAD files were created using AutoCAD file (*.dwg) and were provided as a service to our customers using AutoCAD. Errors sometimes occur during this process and with software incompatibility upon opening a file. **NESPA ENTERPRISES INC.** and/or any authorized distributor of our products will not be held responsible for problems arising from files which have been converted and does not warranty the documents against deficiencies or typographical errors of any kind. We recommend that all measurements are verified with actual physical product before any custom fabrication in the field occurs.

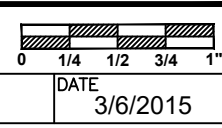
APPROVED

NESPA ENTERPRISES INC.
 2800 Richter Ave. Suite C Oroville, CA 95966
 Office: (530) 534-9910 Fax: (530) 534-9915
 E-Mail: jim@tiledspas.com Web Site: www.tiledspas.com



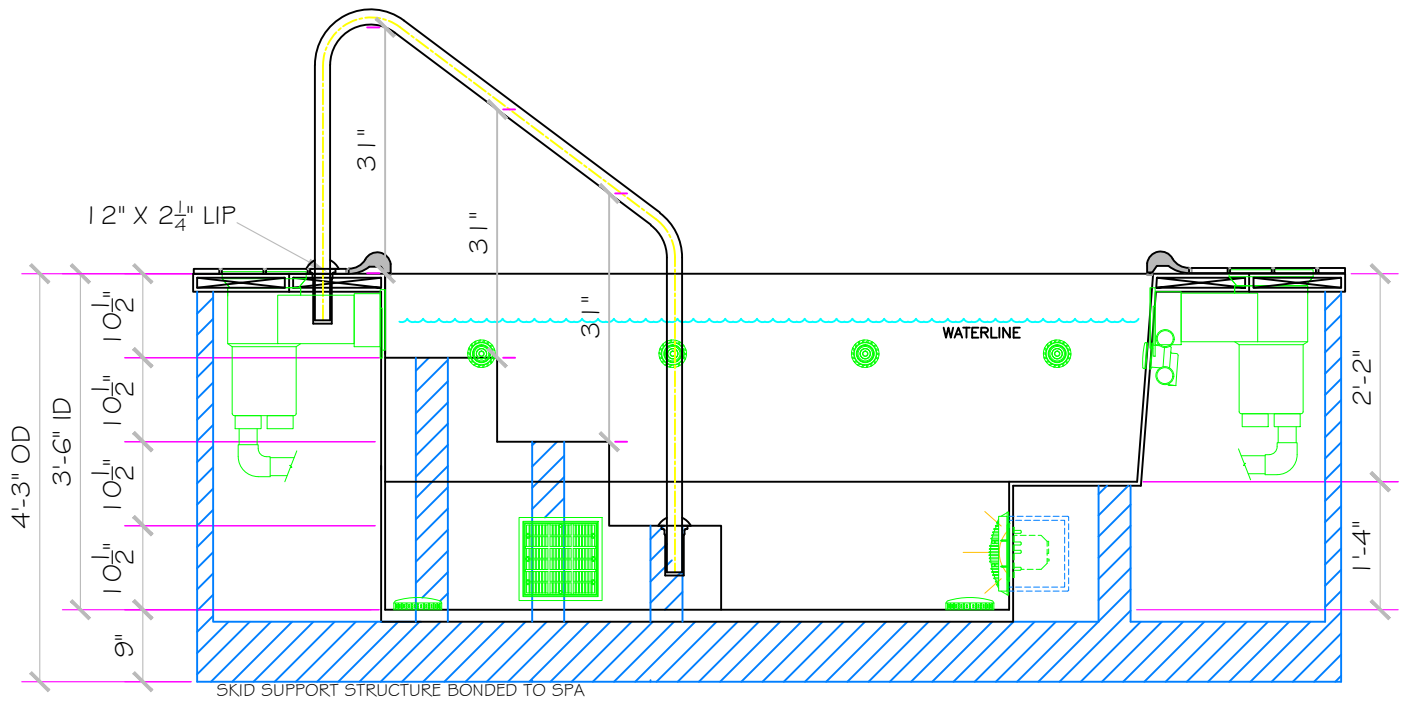
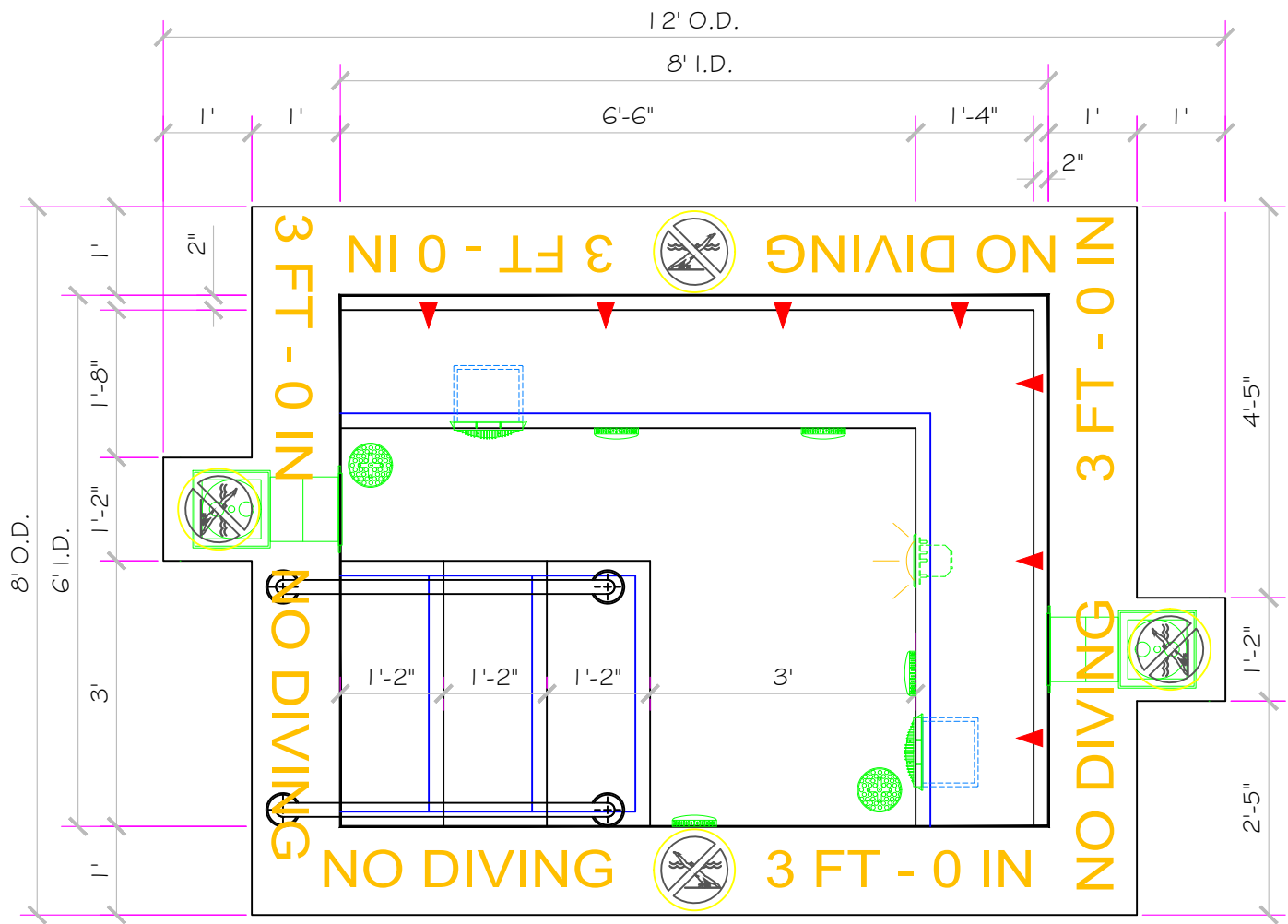
If printing as a PDF:
 Page Scaling: None
 DWG NAME: CAPRI

SCALE: 1/2" = 1'
 DATE: 3/6/2015



DWG TYPE: SPA SD 1
 SHEET: PAGE 1 OF 8

These drawings, concepts, and details contained herein are the original proprietary designs of **NESPA ENTERPRISES INC.**, developed over many years of experience in the industry and as such are protected by the copyright laws of the United States Government. Reproduction of any of the above without written permission to do so by **NESPA ENTERPRISES INC.**, is illegal.



All drawing dimensions supplied by **NESPA ENTERPRISES INC.** are for reference only. All CAD files were created using AutoCAD file (*.dwg.) and were provided as a service to our customers using AutoCAD. Errors sometimes occur during this process and with software incompatibility upon opening a file. **NESPA ENTERPRISES INC.** and/or any authorized distributor of our products will not be held responsible for problems arising from files which have been converted and does not warranty the documents against deficiencies or typographical errors of any kind. We recommend that all measurements are verified with actual physical product before any custom fabrication in the field occurs.

APPROVED

NESPA ENTERPRISES INC.

2800 Richter Ave. Suite C Oroville, CA 95966

Office: (530) 534-9910

Fax: (530) 534-9915

E-Mail: jim@tiledspas.com Web Site: www.tiledspas.com



If printing as a PDF:

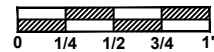
Page Scaling: None

DWG NAME

CAPRI

SCALE

1/2" = 1'



DWG TYPE

SPA SD 2

DATE

12/15/2014

SHEET

PAGE 2 OF 8

These drawings, concepts, and details contained herein are the original proprietary designs of **NESPA ENTERPRISES INC.**, developed over many years of experience in the industry and as such are protected by the copyright laws of the United States Government. Reproduction of any of the above without written permission to do so by **NESPA ENTERPRISES INC.**, is illegal.

- #1 - FIELD TILE: Dal Tile D317 Biscuit 2 x 2
- #2 - WATERLINE (optional): NPT DSF39 Black 3 x 3
- #3 - BENCH & STEP EDGES (optional): Dal Tile D311 Black 2 x 2
- #4 - TILED LIP (optional): Dal Tile D317 Biscuit 2 x 2

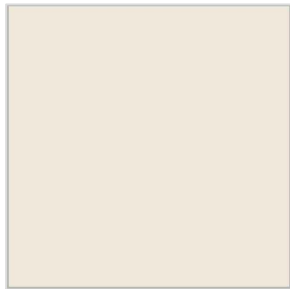
Date: _____

Approval: _____

#1 - GROUT: _____

#2 - GROUT: _____

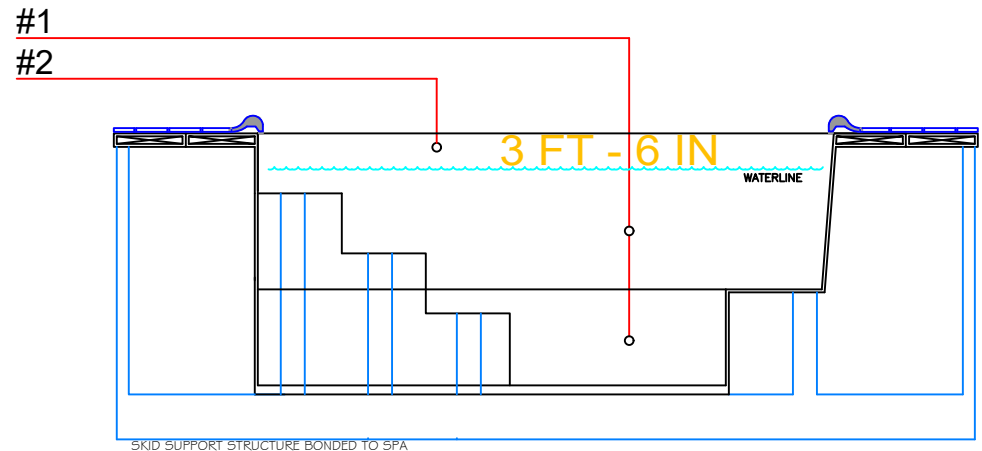
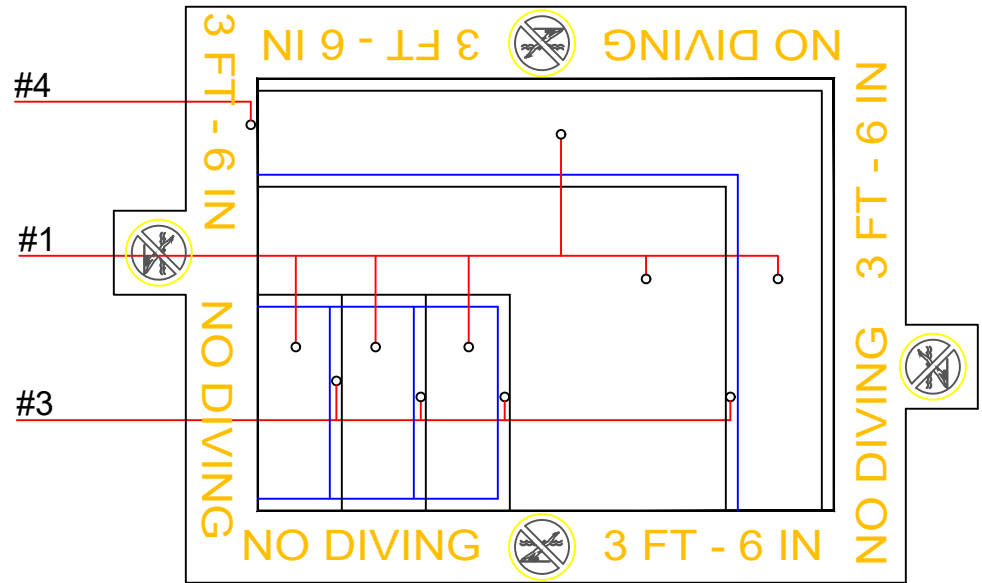
#3 - GROUT: _____



Dal Tile D317 Biscuit
2 x 2



Dal Tile D311 Black
2 x 2



APPROVED

ALL DIMENSIONS SUBJECT TO 1/4" TOLERANCES

These drawings, concepts, and details contained herein are the original proprietary designs of **NESPA ENTERPRISES INC.**, developed over many years of experience in the industry and as such are protected by the copyright laws of the United States Government. Reproduction of any of the above without written permission to do so by **NESPA ENTERPRISES INC.**, is illegal.

NESPA ENTERPRISES INC.
2800 Richter Ave. Ste. C Oroville, CA 95966
Office: (530) 534-9910 Fax: (530) 534-9915
E-Mail: jim@tiledspas.com Web Site: www.tiledspas.com

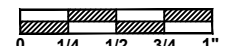


If printing as a PDF:

Page Scaling:

DWG NAME CAPRI

SCALE
3/8" = 1'

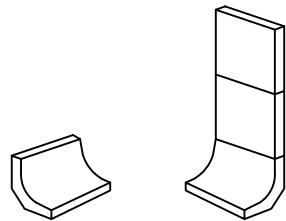
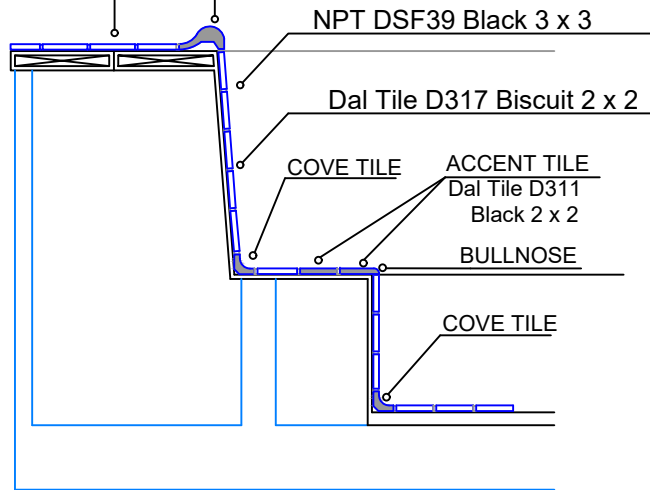


DATE
2/12/2015

DWG TYPE
Spa Tile
SHEET
PAGE 3 OF 8

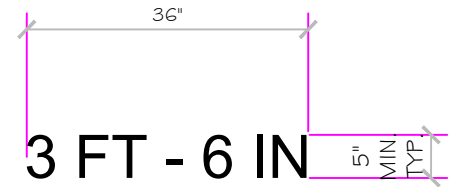
Dal Tile C701 - D317

Dal Tile D317 Biscuit 2 x 2



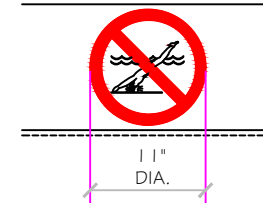
C-833
COVE
TILE

FONT TO BE HELVETICA NEUE LT COM 85 Hv



NOTES:

1. POOL DECK TILE TO BE 12"x 24" UNGLAZED SLIP RESISTANT CERAMIC TILE WITH 1/4" MORTAR WATER JET CUT INTO TILE
2. NUMBERS AND DASHES TO BE BLACK.
3. FIELD TILE TO BE GRAPHITE



SILK SCREEN

- 1" WIDE RED CIRCLE WITH 11" OUTSIDE DIAMETER AND 9" INSIDE DIAMETER WITH 1" WIDE RED DIAGONAL LINE
- 1/8" BLUE WATER
- 1/8" BLACK POOL FLOOR

APPROVED

ALL DIMENSIONS SUBJECT TO 1/4" TOLERANCES

These drawings, concepts, and details contained herein are the original proprietary designs of **NESPA ENTERPRISES INC.**, developed over many years of experience in the industry and as such are protected by the copyright laws of the United States Government. Reproduction of any of the above without written permission to do so by **NESPA ENTERPRISES INC.**, is illegal.

NESPA ENTERPRISES INC.
 2800 Richter Ave. Ste. C Oroville, CA 95966
 Office: (530) 534-9910 Fax: (530) 534-9915
 E-Mail: jim@tiledspas.com Web Site: www.tiledspas.com

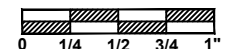


If printing as a PDF:

Page Scaling: None

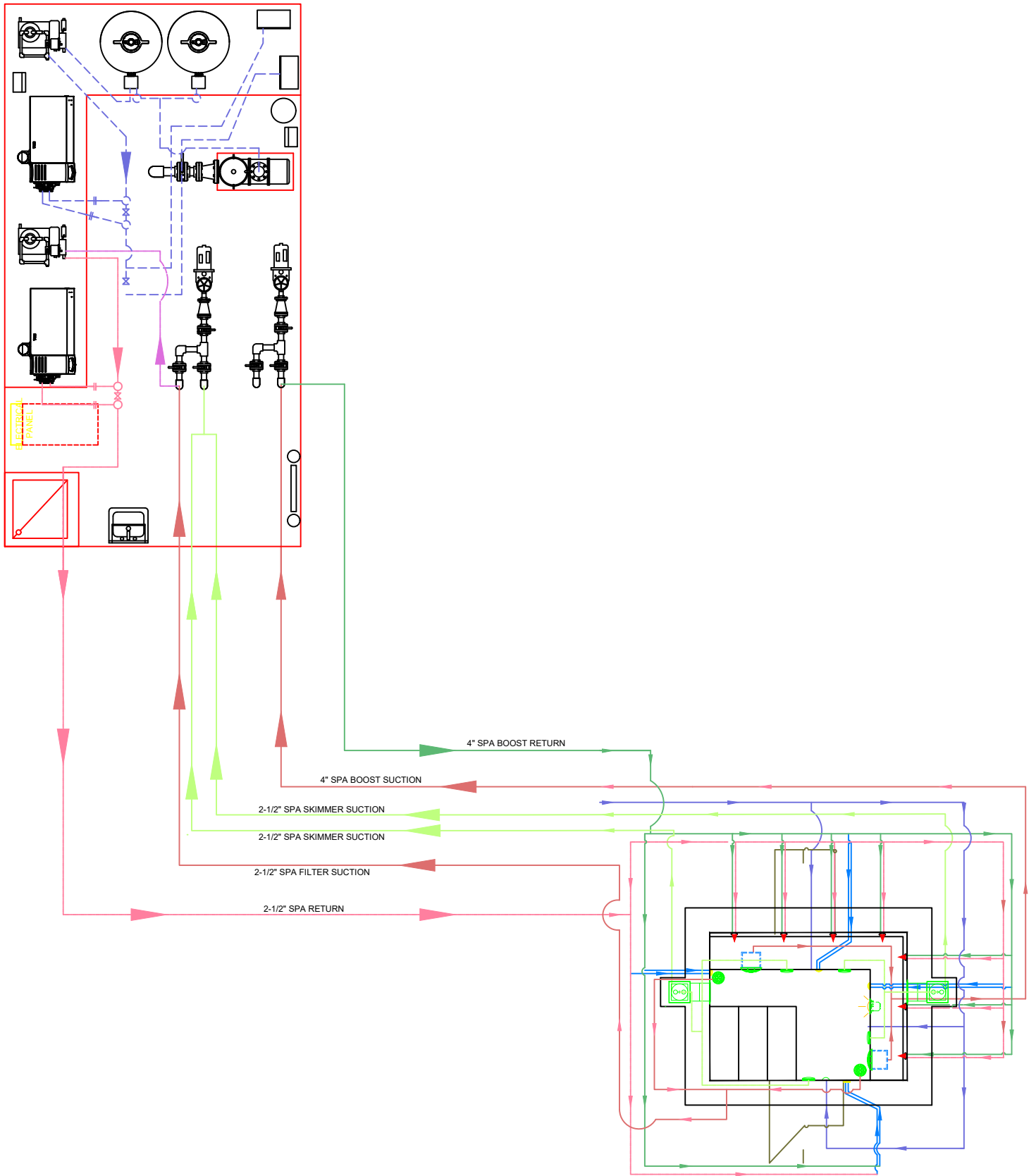
DWG NAME CAPRI

SCALE
N/A



DATE
2/12/2015

DWG TYPE
Spa Tile (2)
 SHEET
PAGE 4 OF 8



All drawing dimensions supplied by [NESPA ENTERPRISES INC.](http://www.nespa.com) are for reference only. All CAD files were created using AutoCAD file (*.dwg.) and were provided as a service to our customers using AutoCAD. Errors sometimes occur during this process and with software incompatibility upon opening a file. [NESPA ENTERPRISES INC.](http://www.nespa.com) and/or any authorized distributor of our products will not be held responsible for problems arising from files which have been converted and does not warranty the documents against deficiencies or typographical errors of any kind. We recommend that all measurements are verified with actual physical product before any custom fabrication in the field occurs.

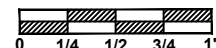
APPROVED

NESPA ENTERPRISES INC.
 2800 Richter Ave. Suite C Oroville, CA 95966
 Office: (530) 534-9910 Fax: (530) 534-9915
 E-Mail: jim@tiledspas.com Web Site: www.tiledspas.com



If printing as a PDF:
 Page Scaling:
 DWG NAME: CAPRI

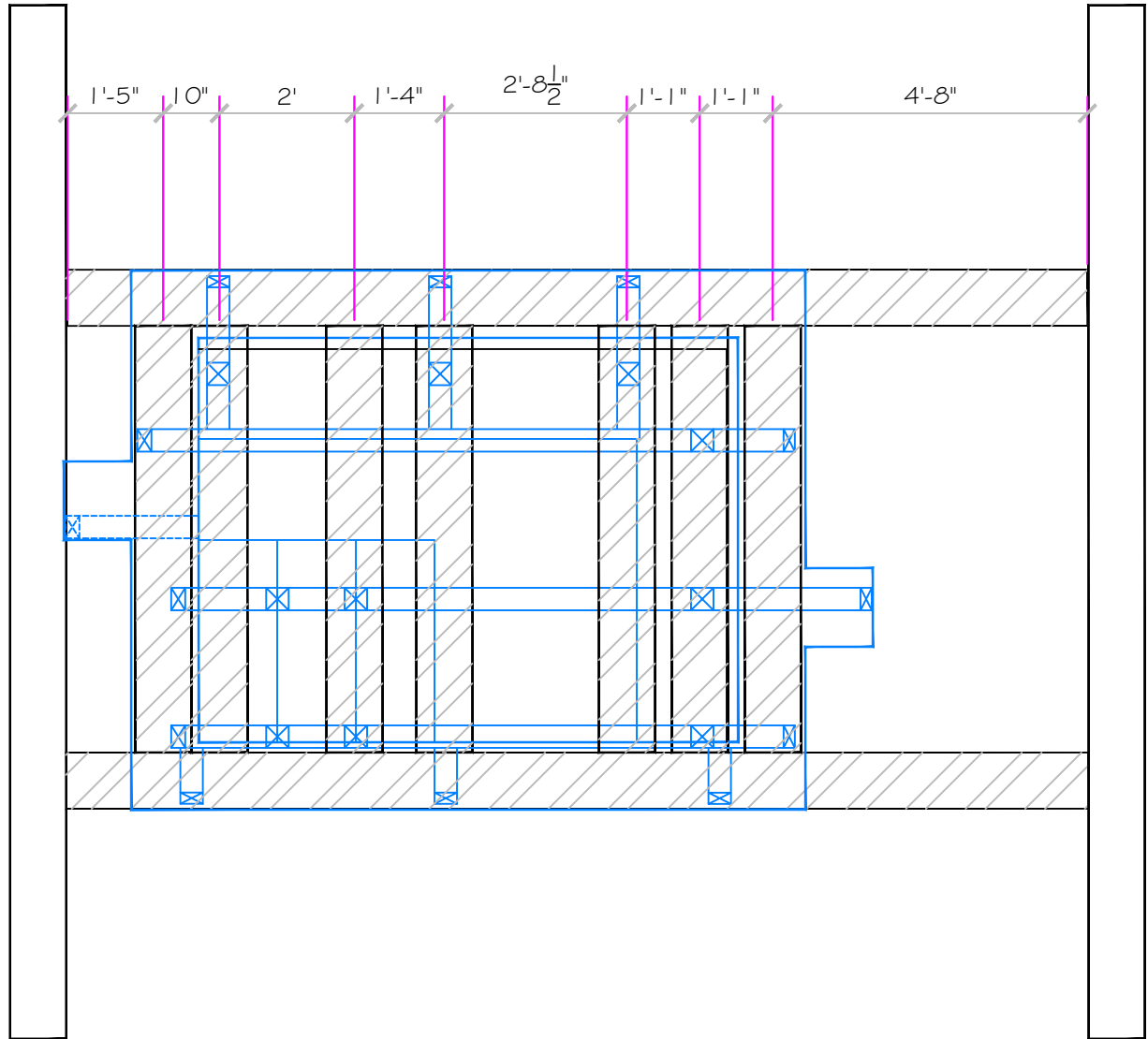
SCALE
 N/A



DATE
 12/15/2014

DWG TYPE
 Spa Plumbing
 SHEET
 PAGE 5 OF 8

These drawings, concepts, and details contained herein are the original proprietary designs of [NESPA ENTERPRISES INC.](http://www.nespa.com), developed over many years of experience in the industry and as such are protected by the copyright laws of the United States Government. Reproduction of any of the above without written permission to do so by [NESPA ENTERPRISES INC.](http://www.nespa.com), is illegal.



Nespa Spa



Building Steel

These drawings, concepts, and details contained herein are the original proprietary designs of **NESPA ENTERPRISES INC.**, developed over many years of experience in the industry and as such are protected by the copyright laws of the United States Government. Reproduction of any of the above without written permission to do so by **NESPA ENTERPRISES INC.**, is illegal.

NESPA ENTERPRISES INC.
 2800 Richter Ave. Ste. C Oroville, CA 95966
 Office: (530) 534-9910 Fax: (530) 534-9915
 E-Mail: jim@tiledspas.com Web Site: www.tiledspas.com

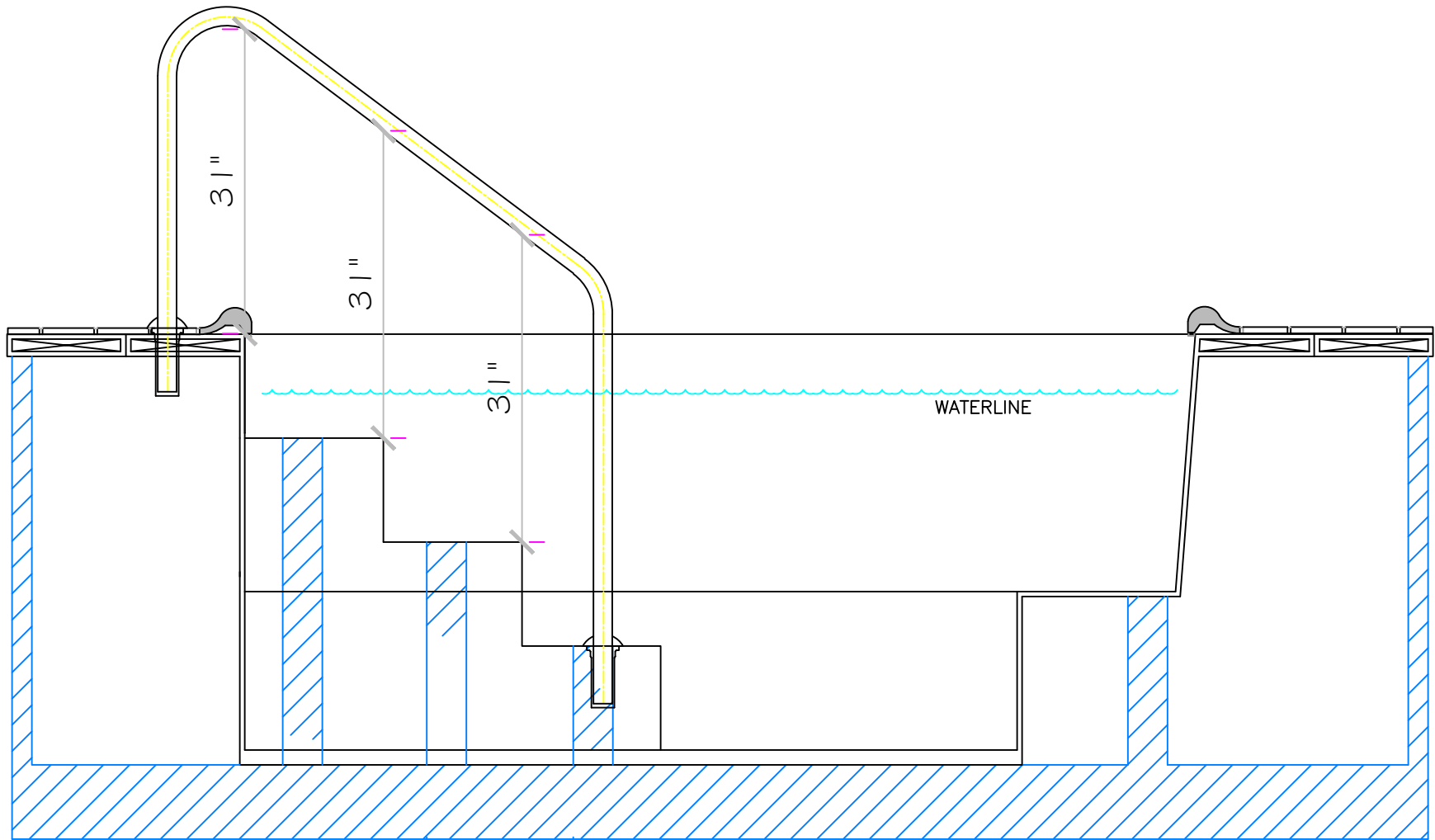


If printing as a PDF:
 Page Scaling:
 DWG NAME POOL

SCALE
 3/8" = 1'
 0 1/4 1/2 3/4 1"

DATE
 7/16/2015

DWG TYPE
 Spa Steel Support
 SHEET
 PAGE 1 OF 1



SKID SUPPORT STRUCTURE BONDED TO SPA

APPROVED

ALL DIMENSIONS SUBJECT TO 1/4" TOLERANCES

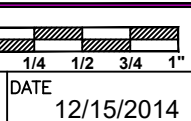
These drawings, concepts, and details contained herein are the original proprietary designs of **NESPA ENTERPRISES INC.**, developed over many years of experience in the industry and as such are protected by the copyright laws of the United States Government. Reproduction of any of the above without written permission to do so by **NESPA ENTERPRISES INC.**, is illegal.

NESPA ENTERPRISES INC.
 2800 Richter Ave. Ste. C Oroville, CA 95966
 Office: (530) 534-9910 Fax: (530) 534-9915
 E-Mail: jim@tiledspas.com Web Site: www.tiledspas.com

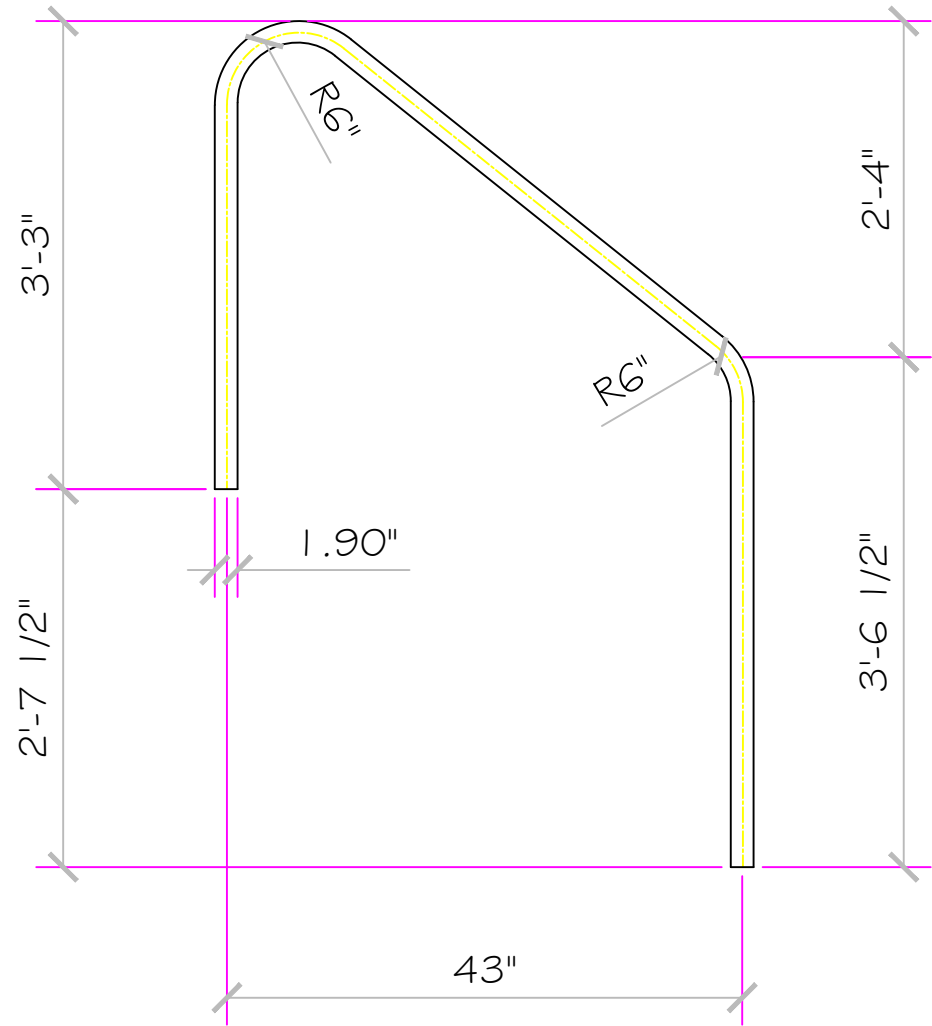
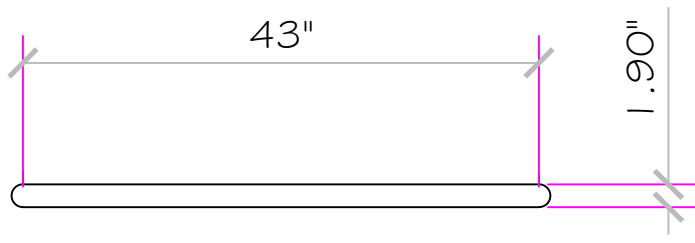


If printing as a PDF:
 Page Scaling:
 DWG NAME: CAPRI

SCALE: 3/4" = 1'
 DATE: 12/15/2014



DWG TYPE: Spa Handrail
 SHEET: PAGE 6 OF 8



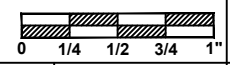
NESPA ENTERPRISES INC.
 2800 Richter Ave. Suite C Oroville, CA 95966
 Office: (530) 534-9910 Fax: (530) 534-9915
 E-Mail: jim@tiledspas.com Web Site: www.tiledspas.com



If printing as a PDF:

Page Scaling:

SCALE
 3/4" = 1'



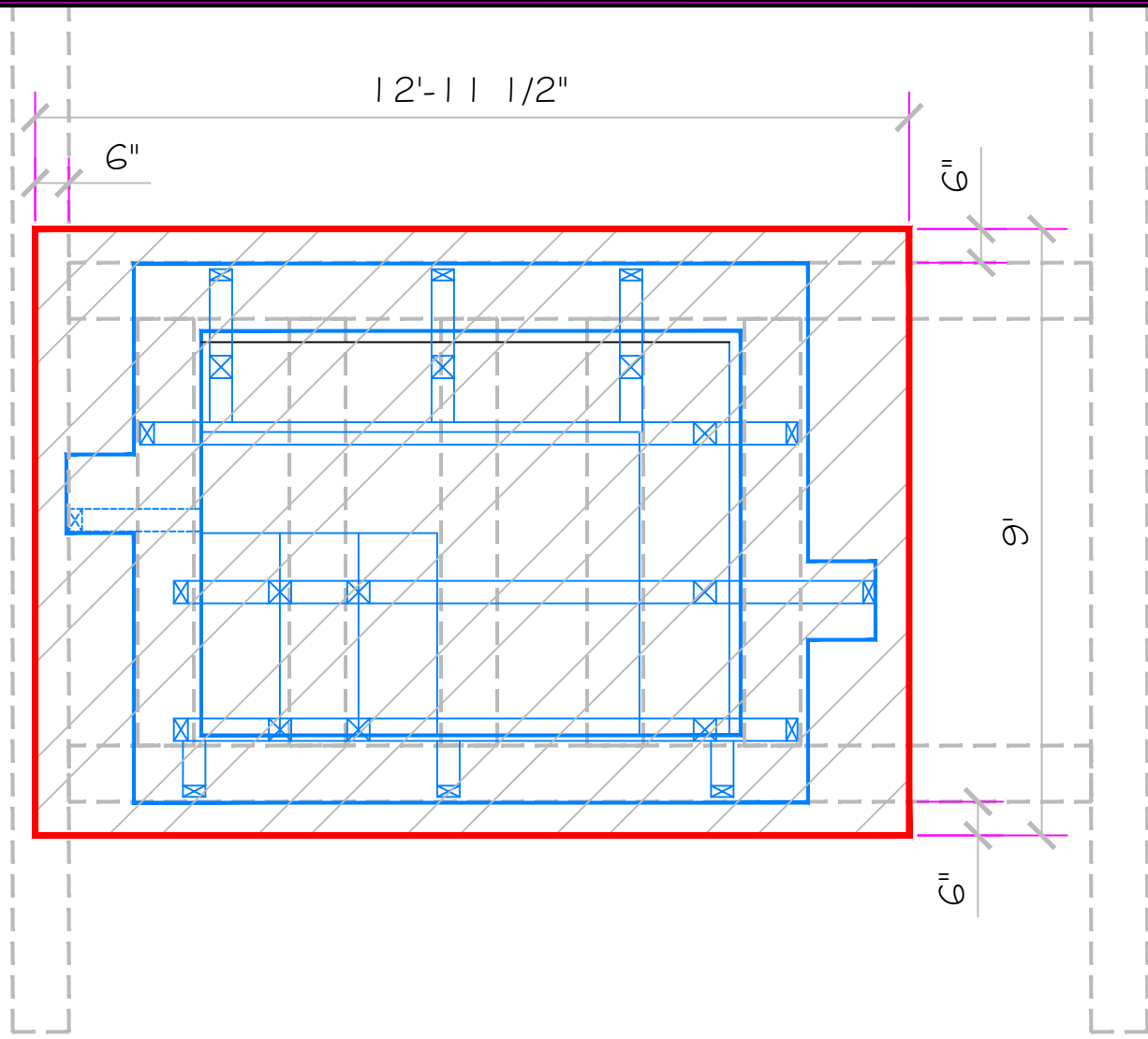
DWG TYPE
 Handrail


DWG NAME
 CAPRI - Gas Co.

DATE
 10/6/2015

SHEET
 PAGE 1 OF 1

These drawings, concepts, and details contained herein are the original proprietary designs of **NESPA ENTERPRISES INC.**, developed over many years of experience in the industry and as such are protected by the copyright laws of the United States Government. Reproduction of any of the above without written permission to do so by **NESPA ENTERPRISES INC.**, is illegal.



 Nespa Spa

 Building Steel

 Steel Plates

These drawings, concepts, and details contained herein are the original proprietary designs of **NESPA ENTERPRISES INC.**, developed over many years of experience in the industry and as such are protected by the copyright laws of the United States Government. Reproduction of any of the above without written permission to do so by **NESPA ENTERPRISES INC.**, is illegal.

NESPA ENTERPRISES INC.
 2800 Richter Ave. Ste. C Oroville, CA 95966
 Office: (530) 534-9910 Fax: (530) 534-9915
 E-Mail: jim@tiledspas.com Web Site: www.tiledspas.com



If printing as a PDF:
 Page Scaling:

DWG NAME POOL

SCALE
 3/8" = 1'

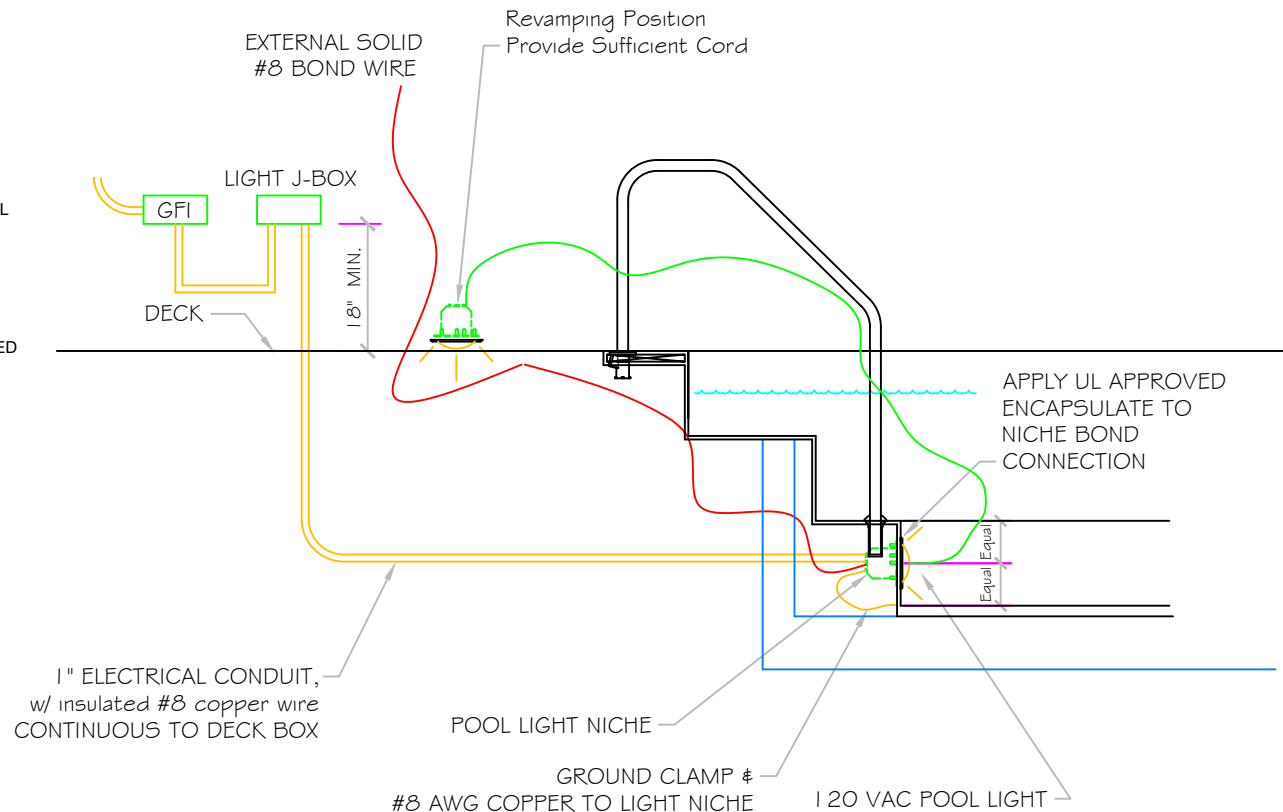
DATE 7/16/2015

DWG TYPE Spa Steel Plates
 SHEET PAGE 1 OF 1

POOL BONDING REQUIREMENTS:

1. THE FOLLOWING PARTS SHALL BE BONDED TOGETHER AND CONNECTED TO THE COMMON BONDING GRID.
 - A. ALL THE METALLIC PARTS OF THE POOL STRUCTURE INCLUDING COPPING STONES, DECK, PERMANENT PLAY STRUCTURES, PERMANENT EXERCISE STRUCTURES.
 - B. ALL METAL FITTINGS WITHIN OR ATTACHED TO THE POOL STRUCTURE
 - C. METAL PARTS ASSOCIATED WITH THE POOL WATER CIRCULATING SYSTEM, INCLUDING PUMPS, FILTERS, AND HEATERS.
 - D. METAL PARTS ASSOCIATED WITH POOL COVERS
 - E. METAL SHEATHED CABLES AND RACEWAYS, METAL PIPING AND ALL FIXED METAL PARTS WITHIN 5 FEET HORIZONTALLY OF INSIDE WALLS OF POOL AND WITHIN 12 FEET ABOVE MAXIMUM WATER LEVEL OF POOL.
 - F. METAL PARTS ASSOCIATED WITH OBSERVATION STANDS, TOWERS, PLATFORMS, AND DIVING STRUCTURES.
2. BONDING CONDUCTORS SHALL BE MINIMUM #8 SOLID COPPER, INSULATED E.C. SHALL COORDINATE APPROVED CONNECTOR TYPE AND METHOD WITH LOCAL ELECTRICAL AND/ OR POOL INSPECTOR.
3. SPECIFIC MANUFACTURER'S INSTRUCTIONS REGARDING BONDING OR GROUNDING OF POOL EQUIPMENT, WHETHER INDICATED HEREIN OR NOT, SHALL BE STRICTLY FOLLOWED.
4. THE COMMON BONDING GRID SHALL NOT BE CONNECTED TO ANY ELECTRICAL DISTRIBUTION EQUIPMENT.
5. ANY PARTS IN ADDITION TO THOSE DESCRIBED HEREIN THAT ARE INDICATED BY POOL CONTRACTOR OR LOCAL INSPECTION AUTHORITY SHALL BE BONDED TO THE COMMON BONDING GRID WITH NO ADDITIONAL COSTS INCURRED BY THE OWNER.
6. THE ELECTRICAL CONTRACTOR SHALL COORDINATE BONDING WITH GENERAL CONTRACTOR.
7. POOL LIGHT NICHE AND POOL LIGHT JUNCTION BOX MUST BE CONNECTED TOGETHER WITH A #8 SOLID COPPER WIRE IN ADDITION TO THEIR CONNECTION TO THE BONDING GRID.

LIGHT DETAIL



All drawing dimensions supplied by [NESPA ENTERPRISES INC.](http://www.nespa.com) are for reference only. All CAD files were created using AutoCAD file (*.dwg.) and were provided as a service to our customers using AutoCAD. Errors sometimes occur during this process and with software incompatibility upon opening a file. [NESPA ENTERPRISES INC.](http://www.nespa.com) and/or any authorized distributor of our products will not be held responsible for problems arising from files which have been converted and does not warranty the documents against deficiencies or typographical errors of any kind. We recommend that all measurements are verified with actual physical product before any custom fabrication in the field occurs.

SUBMITTAL

ALL DIMENSIONS SUBJECT TO 1/4" TOLERANCES

These drawings, concepts, and details contained herein are the original proprietary designs of [NESPA ENTERPRISES INC.](http://www.nespa.com) developed over many years of experience in the industry and as such are protected by the copyright laws of the United States Government. Reproduction of any of the above without written permission to do so by [NESPA ENTERPRISES INC.](http://www.nespa.com), is illegal.

NESPA ENTERPRISES INC.
 2800 Richter Ave. Ste. C Oroville, CA 95966
 Office: (530) 534-9910 Fax: (530) 534-9915
 E-Mail: jim@tiledspas.com Web Site: www.tiledspas.com



If printing as a PDF:

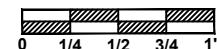
Page Scaling:

DWG NAME

LEGACY DW

SCALE

N/A



DATE

1/8/2015

DWG TYPE

Light Detail

SHEET

PAGE 8 OF 8

6" Round Hockey Puck Sumpless Suction Outlet Cover, HydroAir/ITT Replacement

VGB Series

Product Specification Sheet

The AquaStar line of suction outlet covers, compliant with the new Virginia Graeme-Baker Pool and Spa Safety Act (ASME/ANSI A112.19.8a-2008)

Features

For single or multiple drain use in gunite, steel, vinyl, fiberglass and tile pools and spas (see installation instructions)

Single

Floor/wall: 224 GPM at 6.3 fps

Floor/wall: 53.6 GPM at 1.5 fps

11.4 square inch opening

No sump required

Trademarked VGB compliance button easily identifies VGB 2008 compliant cover from on deck and underwater

#316 stainless steel screws

Manufactured from superior UV-resistant engineered polymers

All components meet or exceed NSF 50/ASME/ANSI A112.19.8a-2008 national standards and ASTM G154 UV testing exposure

Improved version of HydroAir #30-6011 and 10-6200 main drain cover and AquaStar 4RNDxxx equalizer

Easily and safely retrofits HydroAir/ITT

Use with screw and spacer kit p/n SCW1026 to retrofit Sta-Rite/Pentair 8011

Listed with IAMPO R&T

25 per case

NEW

Ideal for fiberglass and all sumpless configurations.



Now Available! (Sold Separately)

6" Bulkhead Adapter with 2 1/2" Thread and 2" Socket for Fiberglass/Steel, with Gasket and 2 1/2" Locking Nut

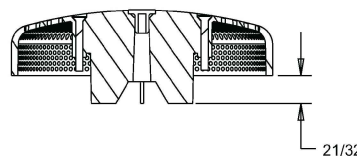
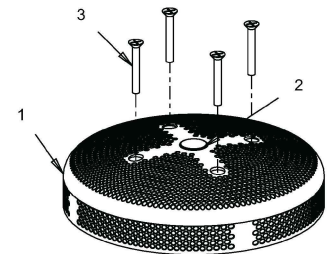
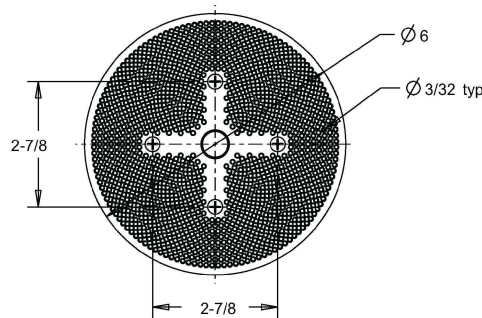
Part # 6HPHAxxx, 6HA25T2oSxxx

Part Numbers / Colors

- 6HPHA101 White
- 6HPHA102 Black
- 6HPHA103 Lt. Gray
- 6HPHA104 Blue
- 6HPHA105 Dk. Gray
- 6HPHA106 Bone
- 6HPHA107 Taupe
- 6HPHA108 Tan

VGB 2008 Compliant

Also available, 6" Bulkhead Adapter with 2 1/2" Thread and 2" Socket for Fiberglass/Steel, with Gasket and Locking Nut – p/n 6HA25T2oSxxx for 6HPHAxxx 25/case.



1. 6" suction outlet cover, HydroAir replacement
2. VGB 2008 "color code" swimming man
3. #8-32 x 1.25" flat head phillips screw, 316 ss, qty 4

P 877-768-2717 F 877-276-POOL Outside the US: P +1-949-459-1202 F +1-949-336-1940
info@aquastarpoolproducts.com www.aquastarpoolproducts.com

SUBMITTAL

NESPA ENTERPRISES INC.

2800 Richter Ave. Suite C Oroville, CA 95966

Office: (530) 534-9910

Fax: (530) 534-9915

E-Mail: jim@tiledspas.com Web Site: www.tiledspas.com



If printing as a PDF:

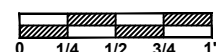
Page Scaling:

DWG NAME

MODIFIED CORSICA

SCALE

N/A



DATE

12/16/2014

DWG TYPE

6 In Main Drain

SHEET

PAGE 1 OF 1

9" x 9" Grate and Frame

Waterway drain covers are compliant to the latest Consumer Safety Product Commission requirements (CPSC). Listed and Certified and Tested in strict accordance to the requirements of ASME A112.19.8-2007 and ASME A112.19.8a-2008 as defined in CPSC letter dated April 8, 2011. Certified by: Underwriters Laboratories, Inc., 2929 E. Imperial Highway, Suite 100, Brea, CA 92821-6729.



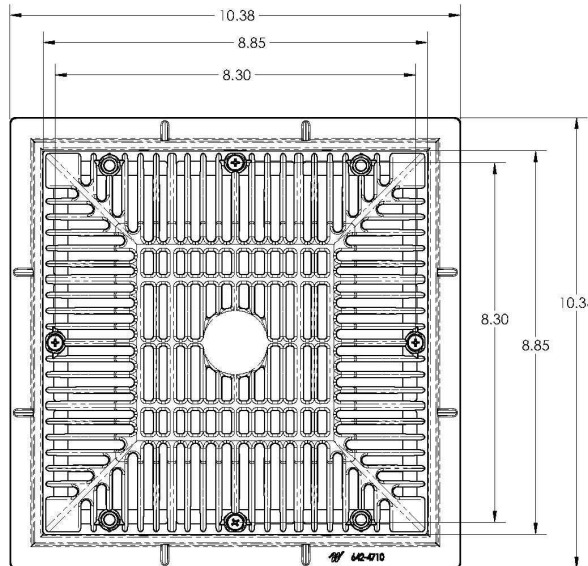
Waterway 640-479X V series covers and frames are available in:

- White
- Black
- Gray
- Dark Gray
- Beige

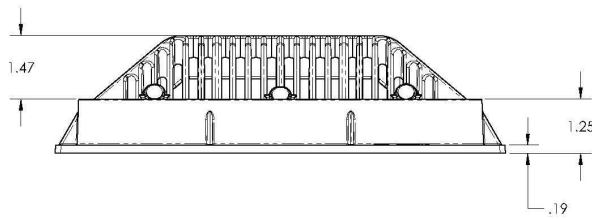
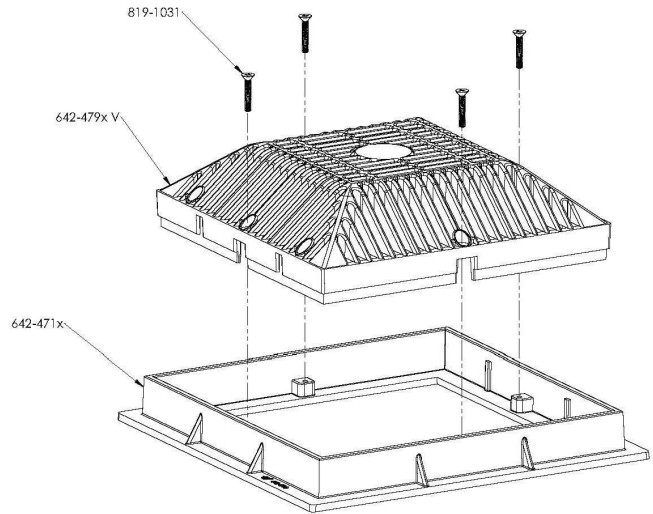
WARNING!

- A minimum of two functioning suction outlets per pump must be installed. Suction outlets in the same plane (i.e. floor to wall) must be installed a minimum of three feet (1 meter) apart, as measured from near point to near point.
- Dual suction shall be placed in such locations and distances to avoid "dual blockage" by a user.
- Dual suction fittings shall not be located on seating areas or on the backrest for such seating areas.
- The maximum system flow rate shall not exceed the flow rate of any listed suction outlet cover installed (per ASME/ANSI A112.19.8-2007).
- Never use pool or spa if any suction outlet component is damaged, broken, cracked, missing or not securely attached.
- Replace damaged, broken, cracked, missing or not securely attached suction outlet components immediately.
- In addition, two or more suction outlets per pump installed in accordance with the latest APSP, IAF Standards and CPSC guidelines must follow all applicable National, State and Local codes.

Model No.	Description	Size	Total Open Area Square Inches	Floor Flow Rate GPM	Wall Flow Rate GPM	Flow Rate GPM @ 1.5 ft/sec
640-479X V	Grate	9" x 9"	43.6	289	208	203



Part No.	Description
819-1031	#8 x 1 Stainless Steel Screw
642-479X V	9" x 9" Grate
642-471X	9" x 9" Grate Frame



©2011 Waterway Plastics • 2200 Sturgis Road, Oxnard, CA 93030 • Ph. 805.981.0262 • waterway@waterwayplastics.com • www.waterwayplastics.com

807-0086.0611

SUBMITTAL

NESPA ENTERPRISES INC.
 2800 Richter Ave. Suite C Oroville, CA 95966
 Office: (530) 534-9910 Fax: (530) 534-9915
 E-Mail: jim@tiledspas.com Web Site: www.tiledspas.com



If printing as a PDF:

Page Scaling:

DWG NAME: **MODIFIED CORSICA**

SCALE: N/A

DATE: 12/16/2014

DWG TYPE: 9X9 Sidewall

SHEET: PAGE 1 OF 1



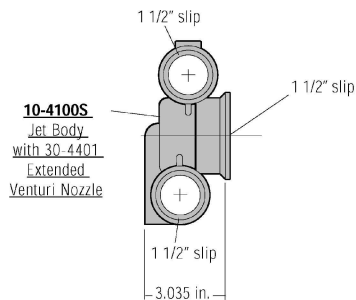
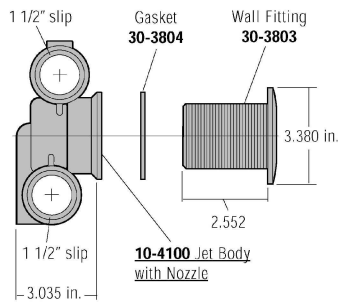
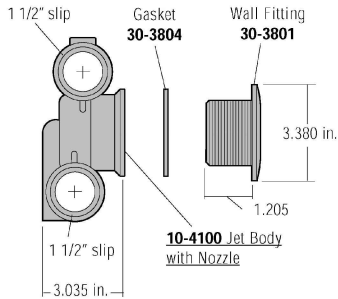
POOL/SPA Products HydroAir

Hydro Jet™ Series Jet Assemblies

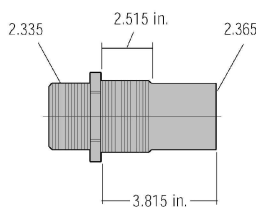
SPECIFICATIONS:

Output : 13 GPM, 12 psi, 3/8" Nozzle
Hole Size: Use 2 3/8" hole saw
Options: Hand Held 16-5303

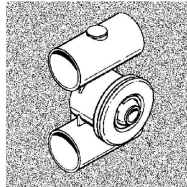
Hydro Jet™ Stacked Jet Assemblies



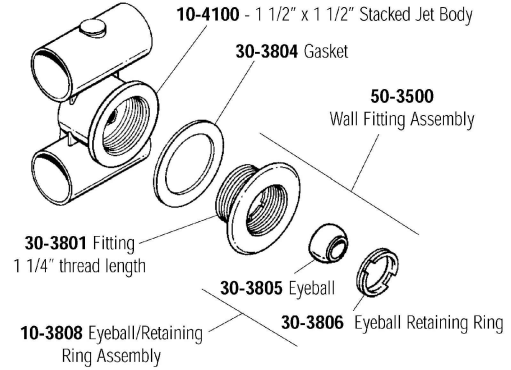
Hydro Jet™ Extension Dimensions



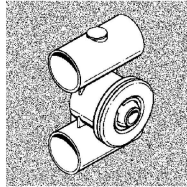
Hydro Jet™ 1 1/4" Fitting Thread Length



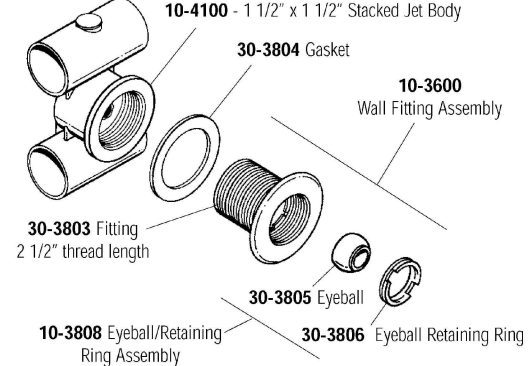
10-5100 includes: 10-4100 Stacked Jet Assembly & 50-3500 Wall Fitting Assembly (40/case, 42 lbs.) *
 * Shipping carton size: 21 - 5/16" x 14 - 5/8" x 14 - 7/8"



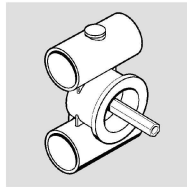
Hydro Jet™ 2 1/2" Fitting Thread Length



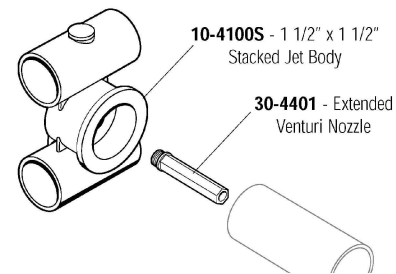
10-5300 includes: 10-4100 Stacked Jet Assembly & 10-3600 Wall Fitting Assembly (30/case, 35 lbs.) *
 * Shipping carton size: 21 - 5/16" x 14 - 5/8" x 14 - 7/8"



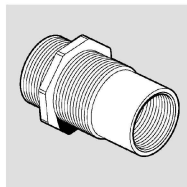
Hydro Jet™ For 1 1/2" PVC Pipe Extension



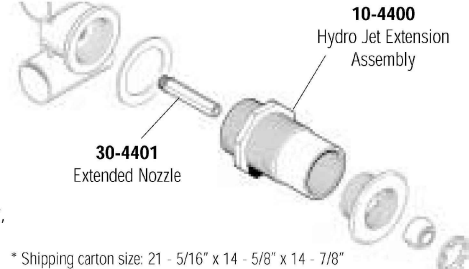
10-4100S includes: 30-4401 Extended Venturi Nozzle (30/case, 35 lbs.) *



Hydro Jet™ Extension - For Gunite / Hot Mop



10-4400 includes: Extension Body, and Extended Nozzle (30-4401) (60/case, 32 lbs.) *



* Shipping carton size: 21 - 5/16" x 14 - 5/8" x 14 - 7/8"

SUBMITTAL

NESPA ENTERPRISES INC.
 2800 Richter Ave. Suite C Oroville, CA 95966
 Office: (530) 534-9910 Fax: (530) 534-9915
 E-Mail: jim@tiledspas.com Web Site: www.tiledspas.com



If printing as a PDF:
 Page Scaling:
 DWG NAME: MODIFIED CORSICA

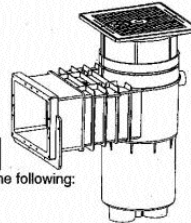
SCALE: N/A
 DATE: 12/16/2014

DWG TYPE: Hydro Jets
 SHEET: PAGE 1 OF 1



HAYWARD MODEL SP1084 AUTO-SKIM AUTOMATIC SURFACE SKIMMER

IS1084-05
Rev. C



IMPORTANT SAFETY INSTRUCTIONS

When installing and using this equipment basic safety precautions should always be followed, including the following:

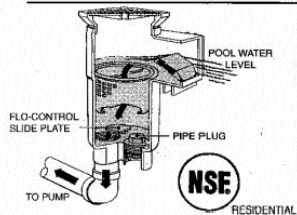
Failure to follow instructions may result in injury.
READ AND FOLLOW ALL INSTRUCTIONS

- 1. DANGER—SUCTION ENTRAPMENT HAZARD.** Can cause serious injury or death. Do not use a pool or spa containing suction drain(s) unless associated pump(s) is connected to at least two (2) functioning suction outlets at least three (3) feet apart—see(3) below.
- 2. WARNING—**To reduce risk of injury, do not permit children to use this product unless they are closely supervised at all times.
- 3. WARNING—**A skimmer equipped or provided with an equalizer valve must be installed with an equalizer wall or drain fitting (suction cover) that conforms to the ANSI/ASME Standard A112.19.8M-1987 (R1996) to prevent hair or body entrapment at the skimmer equalizer wall or drain fitting.
- 4. CAUTION—**This surface skimmer is for use with permanently installed pools and may also be used with hot tubs and spas. Do not use with storable pools. A permanently installed pool is constructed in or on the ground or in a building such that it cannot be readily disassembled for storage. A storable pool is constructed so that it is capable of being readily disassembled for storage and reassembled to its original integrity.
- 5. CAUTION—**Never leave the cover off of an in-ground skimmer. Failure to ensure that skimmer cover(s) are securely attached could result in serious bodily injury. Missing, loose or cracked skimmer covers constitute a serious tripping hazard.
- 6. Hayward Automatic Surface Skimmers** must be installed in compliance with National Spa and Pool Institute Standards and in accordance with all applicable local and regional building codes.

SAVE THESE INSTRUCTIONS

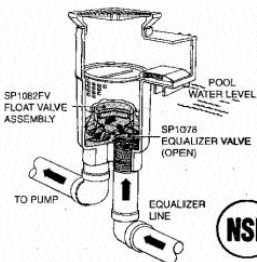
INSTALLATION AND OPERATING INSTRUCTIONS

The Auto-Skim is a rugged versatile automatic skimmer for residential or commercial installations. The illustrations below show the standard SP1082; the SP1082GV Skimmer-Main Drain Valve Assembly installed; and the SP1082 with SP1078 Equalizer Valve and SP1082FV Float Valve Assembly (#3). Consult inside pages for specific installation details and dimensions. To obtain the most effective skimming action over the entire pool surface, locate the skimmers relative to the prevailing wind and drift, shape of pool and water circulation pattern. The use of directional inlet fittings will ensure the proper circulation pattern. When two or more skimmers are plumbed into a common suction line, the flow is balanced through the skimmers by adjusting the Flo-Control Slide Plate at each unit.



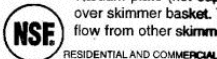
SP1084 STANDARD SKIMMER

- A. FLOW ADJUSTMENT—**For full flow, move Flo-Control Slide Plate to full open. To adjust flow, move Slide Plate to desired position over pump outlet.
- B. TO VACUUM—**Shut circulating pump off and remove skimmer cover. Fill vacuum hose with water and insert end of hose onto an SP1106 or SP1107 Skim-Vac (not supplied with skimmer). Place Skim-Vac through skimmer opening and over skimmer basket. Turn circulating pump on and proceed with vacuuming.



SP1084FVE—SKIMMER WITH EQUALIZER VALVE AND FLOAT VALVE ASSEMBLY

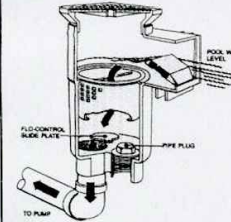
- A. EQUALIZER—**Model SP1078 Equalizer Valve Assembly installs over front port, and is used in conjunction with the SP1082FV Float Valve Assembly. If water level drops below skimmer opening, or if skimmer flow is obstructed, the float will automatically snap shut and the equalizer valve will open. This diverts all flow to the pump from the equalizer line and prevents airlock in the pump. When the pump is shut off, and the water level condition is corrected, the float will rise and the equalizer valve will close, allowing normal skimming operation when the pump is restarted.
- B. TO VACUUM—**Select one convenient skimmer and remove cover. Fill vacuum hose with water and insert onto SP1106 or SP1107 Skim-Vac (not supplied with skimmer) over basket vacuum plate (not supplied with skimmer). Place Skim-Vac through skimmer opening and over skimmer basket. Turn circulating pump on and proceed with vacuuming. Throttle down flow from other skimmer(s) until desired suction is obtained through vacuum hose.



HAYWARD MODEL SP1084 AUTO-SKIM AUTOMATIC SURFACE SKIMMER INSTALLATION AND OPERATING INSTRUCTIONS

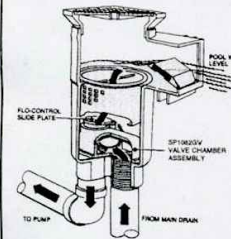
IS1084-00

The Auto-Skim is a rugged, versatile automatic skimmer for residential or commercial installations. The illustrations below show the standard SP1084 (#1); the SP1082GV Skimmer-Main Drain Valve Assembly installed (#2); and the SP1084 with SP1078 Equalizer Valve and SP1082FV Float Valve Assembly (#3). Consult inside pages for specific installation details and dimensions.



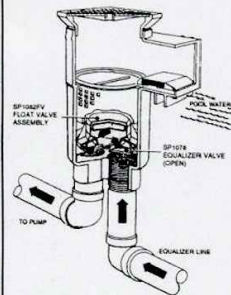
1. BASIC UNIT

- A. FLOW ADJUSTMENT—**For full flow, move Flo-Control Slide Plate to full open. To adjust flow, move Slide Plate to desired position over pump outlet.
- B. TO VACUUM—**Remove cover and basket. Screw hose adapter into pump outlet. Fill vacuum hose with water and insert over hose adapter. Or use optional Skim-Vac over basket vacuum plate.



2. SKIMMER WITH MAIN DRAIN CONNECTION

- A. FULL SKIM—**Place Valve Lever in straight-up position. Open Slide Plate.
- B. FULL MAIN DRAIN (SWEEP)—**Place Valve Lever down. Close Slide Plate.
- C. 1/2 SKIM - 1/2 MAIN DRAIN—**Place Valve Lever at 45° (half-down). Open Slide Plate 1/2.
- D. TO VACUUM—**Remove cover and basket. Place Valve Lever straight up. Fill vacuum hose with water, and insert into opening in Valve Chamber. Or use optional Skim-Vac over basket vacuum plate.



3. SP1084FVE—SKIMMER WITH EQUALIZER VALVE AND FLOAT VALVE ASSEMBLY

- A. EQUALIZER—**Model SP1078 Equalizer Check Valve Assembly installs over front port, and is used in conjunction with the SP1082FV Float Valve Assembly. If water level drops below skimmer opening, or if skimmer flow is obstructed, the float will automatically snap shut and the equalizer valve will open. This diverts all flow to the pump from the equalizer line and prevents airlock in the pump. When the pump is shut off, and the water level condition is corrected, the float will rise and the equalizer valve will close, allowing normal skimming operation when the pump is restarted.
- B. TO VACUUM—**Select one convenient skimmer and remove cover, basket and float valve assembly. Screw hose adapter into pump outlet. Fill vacuum hose with water and insert over hose adapter. Throttle down flow from other skimmer(s) until desired suction is obtained through vacuum.



NOTE: When two or more skimmers are plumbed into a common suction line, the flow is balanced through the skimmers by adjusting the Flo-Control Slide Plate at each unit.

SUBMITTAL

ALL DIMENSIONS SUBJECT TO 1/4" TOLERANCES

These drawings, concepts, and details contained herein are the original proprietary designs of **NESPA ENTERPRISES INC.**, developed over many years of experience in the industry and as such are protected by the copyright laws of the United States Government. Reproduction of any of the above without written permission to do so by **NESPA ENTERPRISES INC.**, is illegal.

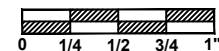
NESPA ENTERPRISES INC.
2800 Richter Ave. Ste. C Oroville, CA 95966
Office: (530) 534-9910 Fax: (530) 534-9915
E-Mail: jjm@tiledspas.com Web Site: www.tiledspas.com



If printing as a PDF:

Page Scaling: None

SCALE
N/A



DWG TYPE

Skimmer

DWG NAME

Modified Corsica and Legacy DW

DATE

12/16/2014

SHEET

PAGE 1 OF 1



AquaLight™ and SpaBrite™

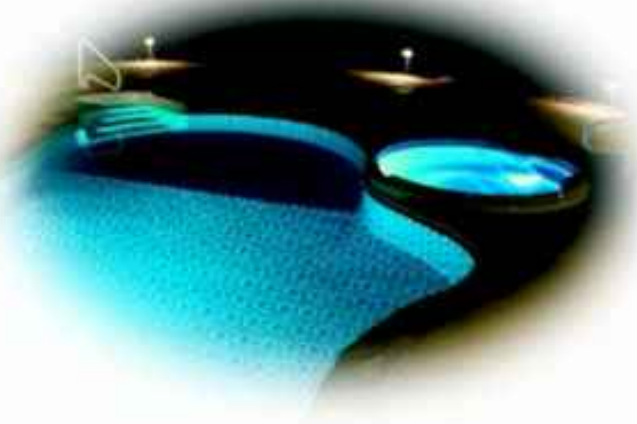
Compact Pool and Spa Lights

High intensity compact lights from the world leader in pool and spa lighting

AquaLight and SpaBrite lights are compact units especially designed to provide big lighting performance for smaller pools and spas. Whether you choose the halogen quartz AquaLight or the incandescent SpaBrite, your pool or spa will shine brilliantly when the sun goes down. Both lights feature high quality stainless steel housings and face rings for durability. Tempered glass lenses provide optimum light diffusion. Each light comes complete with red and blue snap-on lens covers.

Standard features include:

- Prismatic tempered glass lens for optimum light diffusion.
- Optional blue, magenta, green, purple, and blue-green mood-setting snap-on lenses.
- Heat-sensing cut-off device for low water protection.
- AquaLight available with halogen quartz lamps from 75 watts to 250 watts. SpaBrite features 100 watt incandescent lamp.
- Corrosion resistant stainless steel housing and face rings are strong and durable.
- Plastic snap-on face rings available to coordinate with your pool finish.
- Easy service stainless steel clamp for quick and easy bulb replacement.
- Three-year warranty. See warranty for details.



SUBMITTAL

NESPA ENTERPRISES INC.
2800 Richter Ave. Suite C Oroville, CA 95966
Office: (530) 534-9910 Fax: (530) 534-9915
E-Mail: jim@tiledspas.com Web Site: www.tiledspas.com



If printing as a PDF:
Page Scaling:
DWG NAME: LEGACY DW

SCALE: N/A
DATE: 12/16/2014

DWG TYPE: Spa And Pool Light
SHEET: PAGE 1 OF 1

These drawings, concepts, and details contained herein are the original proprietary designs of NESPA ENTERPRISES INC., developed over many years of experience in the industry and as such are protected by the copyright laws of the United States Government. Reproduction of any of the above without written permission to do so by NESPA ENTERPRISES INC., is illegal.

STANDARD NESPA IN-GROUND INSTALLATION INSTRUCTIONS **SET-UP AND EXCAVATION**

Prerequisites: Before installing your Nespa spa. You may be required to acquire a permit from your local State, County, and City building dept and or Health department. (Commercial jobs need Health Dept. Approval). Your spa installation must comply with the most current codes. (**Uniform Swimming Pool, Spas & Hot Tub Code 2006 (USPC 2006)**).

Spa drawings: Request from Nespa a current spa specific construction detail, plan and section, spa plumbing detail.

Delivery Access: Clearly determine the method of getting the spa to jobsite and into the hole. This may require the use of a crane, forklift, hoist, backhoe and/or manpower etc.

- 1) The following instructions are general guidelines and may not apply to your specific jobsite conditions. When excavating for your spa remember to provide for plumbing and light connection clearances. In order to determine how to excavate for your spa or swim spa, measure spas outside dimension (O.D.) and add minimum 3" to all sides. This 3" clearance is to accommodate jet and suction plumbing. This 3" clearance can change or be reduced upon request. Note: skimmer location, this area may have to be larger than 3", if commercial 22".
- 2) **Freeze Climates-** If the spa is placed into a vault (typical of freeze climates) a standard 18" or more of clearance minimum from spa perimeter should be provided. This dead air space is for possible future access to spa plumbing in case of a freeze. Area drain is mandatory. **Ask your local installer** for his experienced opinion. Do not hesitate to call us because we want to be sure that your installation progresses as smoothly as possible. If you have questions call us. (888) 479-4677.
- 2) **Hole depth** is determined by spa's outside height dimension. This height may vary depending if spa has skids or no skids. The spa lip may be finished or non-finished. How is the perimeter deck elevation transitioning to the spa? Focus on the finish surrounding deck elevations, thickness of the finish material on spa upper horizontal lip, equal to lip or under the spa lip. This material can be tile, stone, concrete or brick.
- 3) **Preplumb** the spa before it goes into the hole. If there are needs for electrical, bonding or control conduits run them as well before dropping in hole. Connect bond wire to niche would be best.
- 4) **Spa should sit on level 3 ½" thick reinforced concrete pad. Sweep debris off pad prior to dropping in hole.**
- 5) **Install spa** into the hole on top of concrete pad. Use the Eye bolts provided for crane, forklift etc. rigging. Do not hold onto pipes. Use caution with suction and jet plumbing when lowering into hole. **DO NOT STRESS FITTINGS!** Fill Spa with water and check for leaks prior to backfill.

- 6) **Check site reference** points for proper spa positioning (i.e., squaring to house, garage, etc.).
- 7) **Shim to level spa.** Shim with non-compression able material. Re square to house, or ref. point.
- 8) **Dry pack** with cement the gaps that have been created when shimming spa level.
- 9) **Connect pipes to tees** if spa is preplumb. Installers properly support your new plumbing from stressing spas preplumb fittings. After electrical conduit and bond wire is connected to light niche, water test spa before back filling with sand.
NOTE: All Nespa products are water tested prior to leaving factory.

ELECTRICAL:

- 1) All electrical connections to spa or equipment should comply with the most recent national electrical code (NEC), state and local codes.
- 2) Connect electrical conduit to light niche. This work should be done or reviewed by a licensed electrician.
- 3) To install spa light you will need to include inside the PVC conduit to the light niche a solid #8 coated copper wire. (If you are use brass conduit, internal bond wire is not required.) This bond wire should be pulled with the light cord at the same time. This bond wire needs to be attached to the internal bonding lug of the light niche. An approved encapsulate should be applied to bond wire connection in niche.
- 4) An external #8 copper wire shall be connected to the external bonding lug on the rear of the light niche. This copper wire can then be used for additional bonding requirements (i.e., handrails or any other metallic object within 5' of the spa.

PLUMBING:

- 1) **When plumbing a Nespa it is important to properly size the plumbing. We highly recommend that you follow the pump manufacturer's pipe sizing requirements and Uniform Swimming Pool, Spas & Hot Tub Code 2006 (USPC 2006). This code book is available at www.IAPMO.org or (909) 472 4100.**
- 2) The jet air venturi should be a Hartford loop design adjacent to spa shell and air entry point can be located next to spa or remotely at equipment.
- 3) Fill spa with water and test the system for leaks PRIOR to backfilling with sand.

SAND BACK FILL:

- 1) **With water in spa, back-fill around spa perimeter with dry plaster sand and wet wash with hydraulic attachment to hose. Let set for one hour and hydraulic dry again. Be sure water level in spa is at the highest level. Any questions please call us. (888) 479-4677.**
- 2) **If spa is free standing on elevated deck or a structure, it is important to fill spa with water and load area prior to installing coping or perimeter decking. If spa is installed in a vault situation a area drain is needed.**

NESPA ENTERPRISES INC.

2800 Richter Ave. Suite E

Oroville, CA 95966

Office: (888) 479-4677 Fax: (530) 534-9915

E-Mail: nespa@pacbell.net www.tiledspas.com

IN-GROUND

INSTALLATION

ALL DIMENSIONS SUBJECT TO 1/4" TOLERANCES

SCALE: 1/2" = 1'-0"

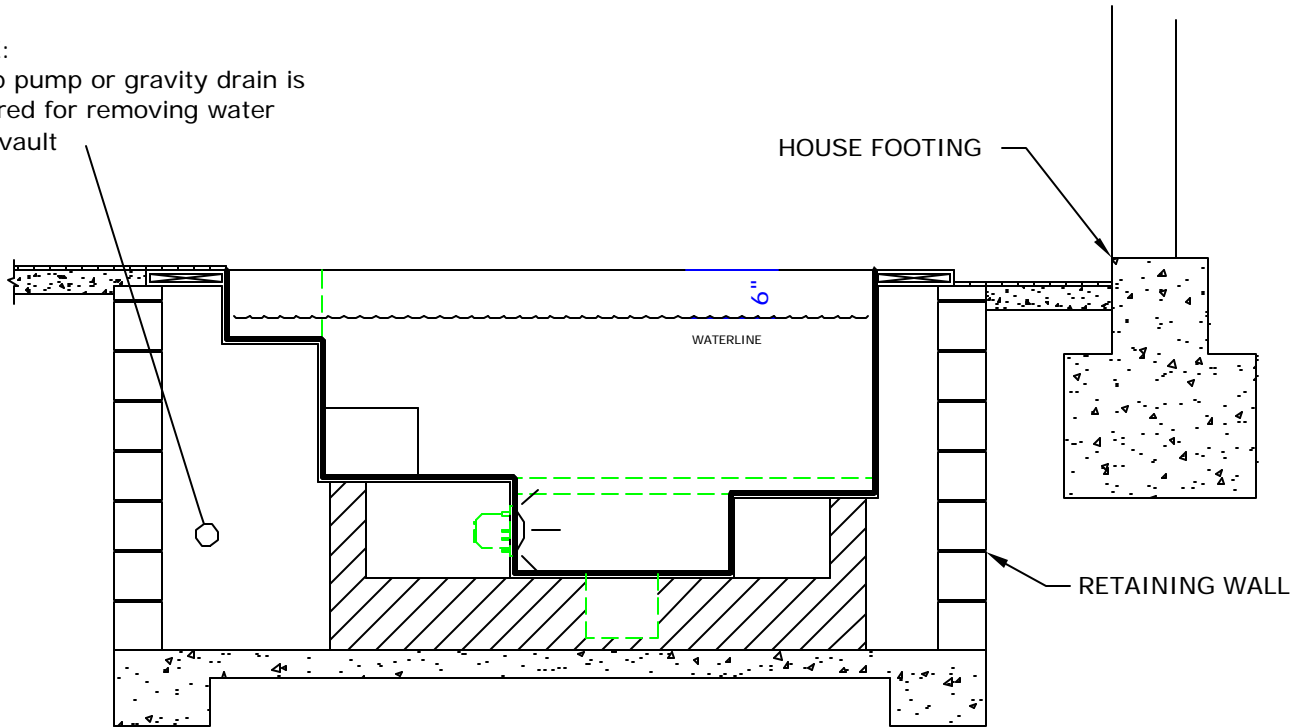
DATE: 3/27/02

JOB : STANDARD INSTALL

DW #: SI-1, SI-2

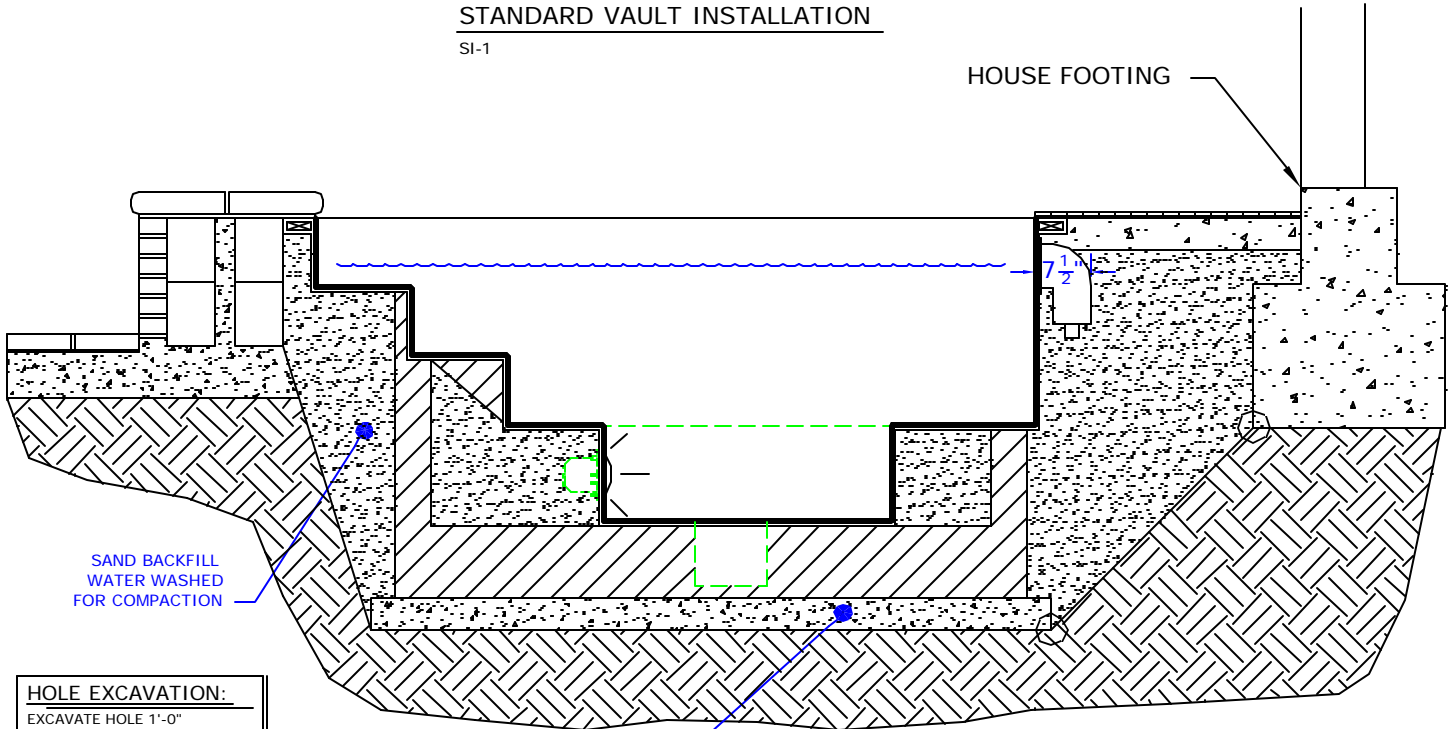
NOTE:

Sump pump or gravity drain is required for removing water from vault



STANDARD VAULT INSTALLATION

SI-1



HOLE EXCAVATION:
EXCAVATE HOLE 1'-0"
LARGER THAN THE OUTSIDE
DIAMETER (OD) OF SPA

4" CONCRETE SLAB
REINFORCED WITH
#10 MESH

STANDARD INGROUND INSTALLATION

SI-2

NOTE:

Footing can not surcharge spa.
Slope from bottom of slab to
nearest corner of house footing
must not exceed 1" = 1".

NESPA ENTERPRISES, Inc. LIMITED WARRANTY

This LIMITED WARRANTY covering NESPA products is extended to the ORIGINAL PURCHASER-USER BY NESPA ENTERPRISES Inc.(NESPA), 2800 Richter Ave. Unit C California 95966.

NESPA products are thoroughly inspected and tested prior to factory shipment. NESPA warrants to the ORIGINAL PURCHASER-USER that NESPA Spas and Swim Spas will be free of defect in workmanship, accessories and parts, provided said accessories and parts were manufactured by NESPA. NESPA, under this LIMITED WARRANTY, warrants only that its Spas and Swim Spas shall be structurally sound, shall retain their shape, and shall retain water for the warranty period. NESPA warrants the adhesion of tile to fiberglass for a period of three (3) years and structural soundness for ten (10) years. NESPA warrants epoxy grout adhesion for a period of three years. If any such defects appear and are reported within the warranty period, NESPA shall repair or replace such defective parts without charge if an inspection proves the claim.

The provisions of the LIMITED WARRANTY shall not apply to tile cracked, split, chipped or damaged after the product has left the factory, nor damage to tile caused by freezing nor to damage, defect, malfunction or failure to conform with the above warranty provisions where the damage, defect, malfunction or failure to conform was caused during shipment or by distributor or by unreasonable use by ORIGINAL PURCHASER-USER including improper water balance and improper sand pack or support.

This LIMITED WARRANTY shall not apply to any plumbing, equipment, or installation of spas and Swim Spas and shall not apply to any alterations made to or upon NESPA products except alterations made by NESPA employees or NESPA authorized representatives.

This LIMITED WARRANTY is expressly in lieu of all other warranties expressed or implied including the warranties of merchantability and fitness for use and all other obligations or liabilities on NESPA'S part, and NESPA neither assumes nor authorizes any other person to assume for NESPA any other liability in connection with the sale of this NESPA product. This LIMITED WARRANTY shall not apply to this NESPA product or any part thereof which has been subject to accident, negligence, alteration, abuse or misuse. NESPA makes no warranty whatsoever with respect to accessories or parts not manufactured by NESPA.

The term "ORIGINAL PURCHASER-USER" as used in this LIMITED WARRANTY shall be deemed to mean that person for whom the NESPA product is originally installed.

The LIMITED WARRANTY provided herein and the obligations and liabilities of NESPA hereunder are exclusive and are in lieu of, and buyer and original PURCHASE-USER hereby waive all other remedies, warranties, guarantees or liabilities, expressed or implied, arising by law or otherwise (including without limitation and obligations of NESPA with respect to fitness, merchantability, and consequential damages) or whether or not occasioned by NESPA'S negligence.

This LIMITED WARRANTY shall not be extended, altered or varied except by a written instrument signed by NESPA and original PURCHASER-USER.