

4/26/2013 3:29:33 PM

All drawing dimensions supplied by **NESPA ENTERPRISES INC.** are for reference only. All CAD files were created using AutoCAD file (*.dwg.) and were provided as a service to our customers using AutoCAD. Errors sometimes occur during this process and with software incompatibility upon opening a file. **NESPA ENTERPRISES INC.** and/or any authorized distributor of our products will not be held responsible for problems arising from files which have been converted and does not warranty the documents against deficiencies or typographical errors of any kind. We recommend that all measurements are verified with actual physical product before any custom fabrication in the field occurs.

PRELIMINARY

ALL DIMENSIONS SUBJECT TO 1/4" TOLERANCES

These drawings, concepts, and details contained herein are the original proprietary designs of **NESPA ENTERPRISES INC.**, developed over many years of experience in the industry and as such are protected by the copyright laws of the United States Government. Reproduction of any of the above without written permission to do so by **NESPA ENTERPRISES INC.**, is illegal.

NESPA ENTERPRISES INC.
 2800 Richter Ave. Ste. C Oroville, CA 95966
 Office: (530) 534-9910 Fax: (530) 534-9915
 E-Mail: jim@tiledspas.com Web Site: www.tiledspas.com



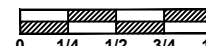
If printing as a PDF:

Page Scaling:

DWG NAME

CASA GRANDE

SCALE
 3/8" = 1'



DATE
 4/26/2013

DWG TYPE

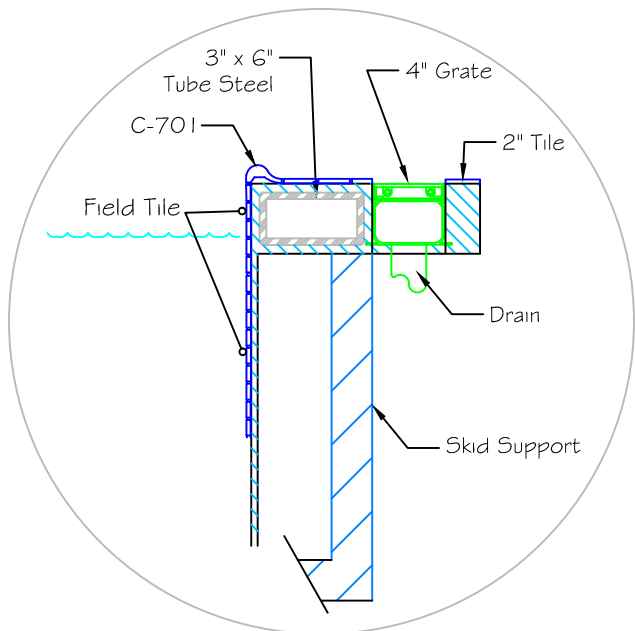
SD

SHEET
 PAGE 1 OF 14

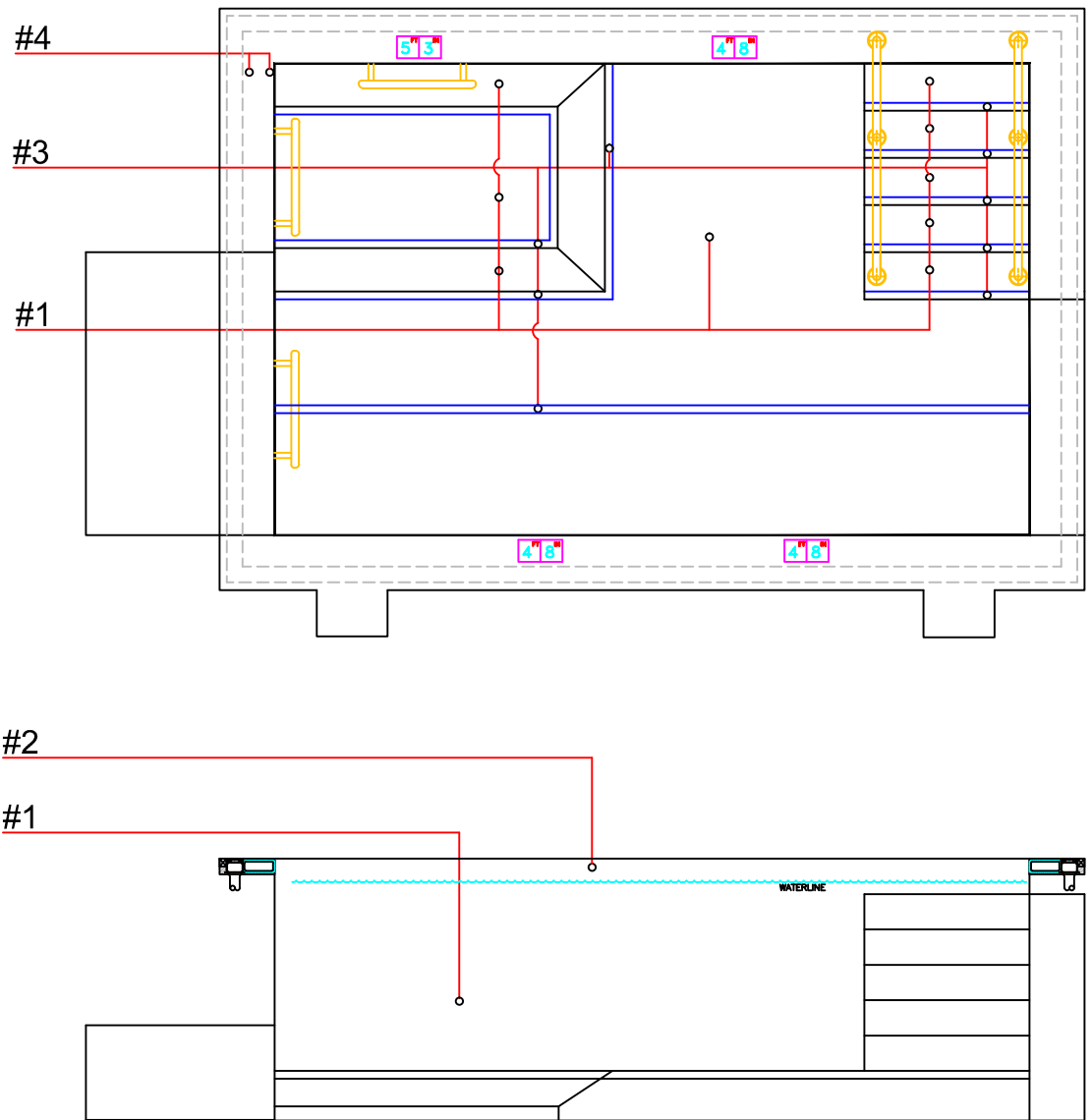
- #1 - FIELD TILE: Dal Tile D617 Arctic White 2" X 2"
- #2 - WATERLINE (optional): Dal Tile D023 Galaxy 2" X 2"
- #3 - BENCH & STEP EDGES (optional): Dal Tile D023 Galaxy 2" X 2"
- #4 - TILED LIP (optional): Dal Tile D617 Arctic White 2" X 2"
Dal Coping Tile - DK617 - C701 - 1X2

Date: _____
Approval: _____

- #1 - GROUT: _____
- #2 - GROUT: _____
- #3 - GROUT: _____



Lip Detail



4/26/2013 3:29:34 PM

PRELIMINARY

ALL DIMENSIONS SUBJECT TO 1/4" TOLERANCES

These drawings, concepts, and details contained herein are the original proprietary designs of **NESPA ENTERPRISES INC.**, developed over many years of experience in the industry and as such are protected by the copyright laws of the United States Government. Reproduction of any of the above without written permission to do so by **NESPA ENTERPRISES INC.**, is illegal.

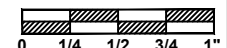
NESPA ENTERPRISES INC.
2800 Richter Ave. Ste. C Oroville, CA 95966
Office: (530) 534-9910 Fax: (530) 534-9915
E-Mail: jim@tiledspas.com Web Site: www.tiledspas.com



If printing as a PDF:

Page Scaling:

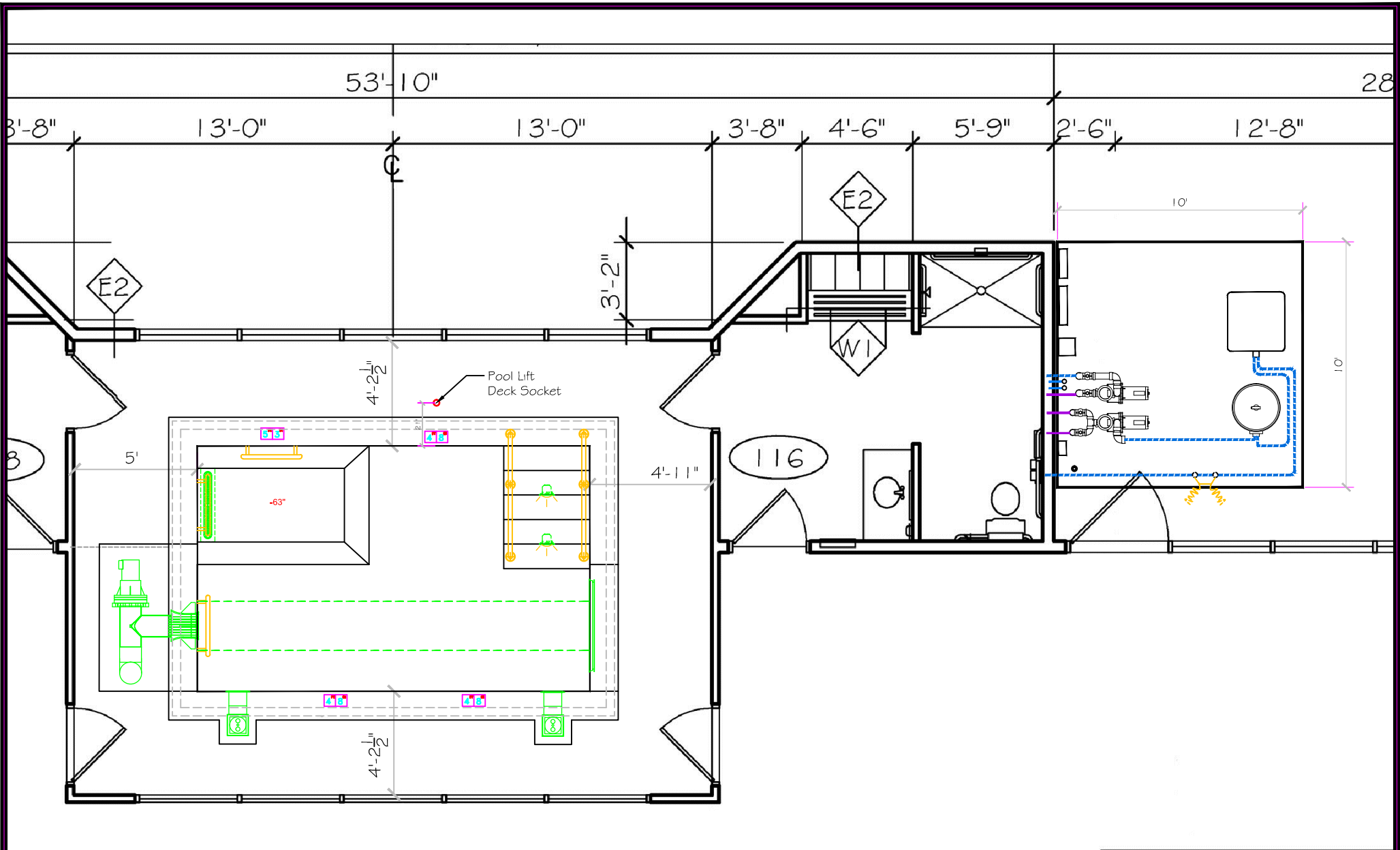
SCALE
1/4" = 1'



DWG NAME
CASA GRANDE

DATE
4/26/2013

DWG TYPE
SPA Tile
SHEET
PAGE 3 OF 14



4/26/2013 3:29:35 PM

PRELIMINARY

ALL DIMENSIONS SUBJECT TO 1/4" TOLERANCES

These drawings, concepts, and details contained herein are the original proprietary designs of **NESPA ENTERPRISES INC.**, developed over many years of experience in the industry and as such are protected by the copyright laws of the United States Government. Reproduction of any of the above without written permission to do so by **NESPA ENTERPRISES INC.**, is illegal.

NESPA ENTERPRISES INC.
 2800 Richter Ave. Ste. C Oroville, CA 95966
 Office: (530) 534-9910 Fax: (530) 534-9915
 E-Mail: jim@tiledspas.com Web Site: www.tiledspas.com

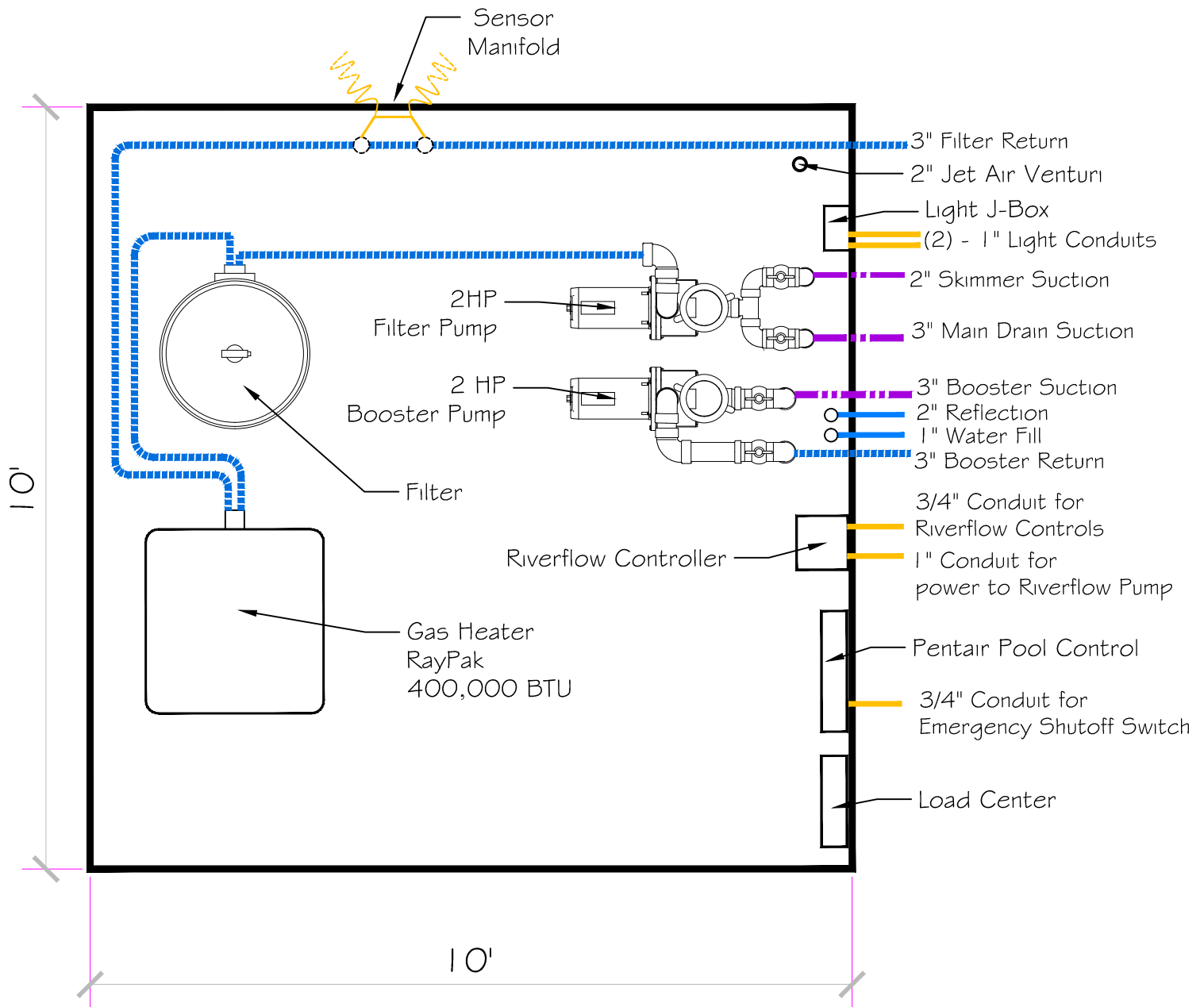


If printing as a PDF:
 Page Scaling:

SCALE
 3/16" = 1'
 DWG NAME
CASA GRANDE

DATE
 4/24/2013

DWG TYPE
 Spa Layout
 SHEET
 PAGE 4 OF 14



4/26/2013 3:29:36 PM

PRELIMINARY

ALL DIMENSIONS SUBJECT TO 1/4" TOLERANCES

NESPA ENTERPRISES INC.

2800 Richter Ave. Suite C Oroville, CA 95966

Office: (530) 534-9910

Fax: (530) 534-9915

E-Mail: jim@tiledspas.com Web Site: www.tiledspas.com



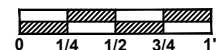
If printing as a PDF:

Page Scaling:

DWG NAME

CASA GRANDE

SCALE
1/2" = 1'



DATE

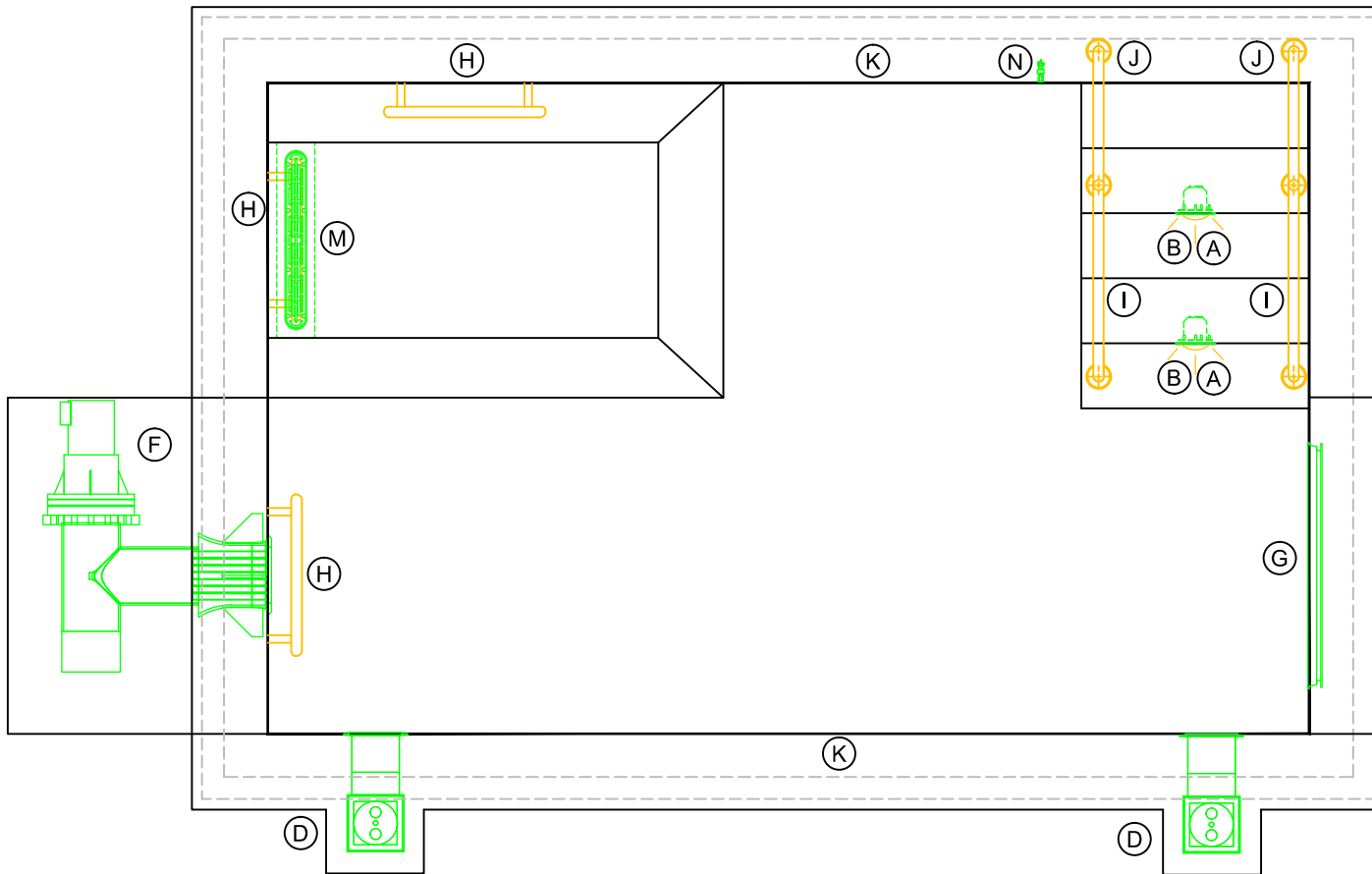
4/24/2013

DWG TYPE

EQ Room

SHEET

PAGE 5 OF 14



ITEM	DESCRIPTION	MANUFACTURER	CATALOG NO.	QTY.
A	LIGHT NICHE (FOR UNDERWATER LIGHT) W/ 1" HUB	PENTAIR	782423	2
B	SPA BRIGHT UNDERWATER LIGHT, 120 VOLT, 100 WATT, 50' CORD, U.L. APPROVED	PENTAIR	78108100	2
C	LIGHT J-BOX	PENTAIR	78310700	1
D	SURFACE SKIMMER W/ EQUALIZER, NSF APPROVED	HAYWARD	SP-1084 FVE	1
F	RIVERFLOW SWIM JET	RIVERFLOW	-	1
G	WALL SUCTION GRATE 44" X 22"	RIVERFLOW	-	1
H	GRAB RAIL, PVC, 28" LENGTH, W/ .065 TUBING WALL THICKNESS	CUSTOM	-	3
I	HAND RAIL, PVC, 5' 0" LENGTH, W/ .065 TUBING WALL THICKNESS	CUSTOM	-	2
J	Perma Cast Big Boy Socket 6 inch	Perma Cast	PS-6019-BC	6
K	4" Wide Deck Drain and Grate	Lawson Aquatics	DTD - 04 - SR	1
M	AquaStar 32CDFLFR, 32" Channel Drain, Approved Max Flow Rate: Floor = 236 GPM @ 3,4 fps Wall = 136 GPM @ 1,9 fps V.G.B Approved Safety Drain	AQUASTAR	32CDFLFR	1

ITEM	DESCRIPTION	MANUFACTURER	CATALOG NO.	QTY.
N	POOL BOND PB-2008 Complies w/ National Electrical Code 680.26 (C)	Perma-Cast	PB-2008	1
O	CARTRIDGE FILTER 420 SQ. FT. CLEAN & CLEAR PLUS SERIES	PENTAIR	CCP420	1
P	SELFPRIMING PUMP AND MOTOR, 143 GPM @ 60 FT. HEAD, 3 HP, 230 VOLT, 20 AMP 1 PHASE, 2" DISCHARGE UNIT WITH PUMP STRAINER	PENTAIR	WFE-12	1
Q	SELFPRIMING PUMP AND MOTOR, 80 GPM @ 60 FT. HEAD, 3/4 HP, 230 VOLT, 20 AMP 1 PHASE, 2" DISCHARGE UNIT WITH PUMP STRAINER	PENTAIR	WFE-3	1
R	NATURAL GAS HEATER W/ POWER ASSISTED VENTILATION, 400,000 BTU	PENTAIR	PowerMax 400K	1
V	AUTOMATIC CHLORINE / BROMINE FEEDER	PENTAIR	RAINBOW 320	1
T	Blue White Flow Meter, 2in Pvc Flowmeter 15-70 gpm	BLUE WHITE	F-300	1
X	CONTROLS SYSTEM, POWER CENTER W/ CIRCUIT BREAKER, DUAL TIME CLOCKS, REMOTE EMERGENCY SHUT OFF SWITCH AND JET ACTIVATION BUTTON (LOCATED ADJACENT TO SPA)	PENTAIR	LX802	1

4/26/2013 3:29:37 PM

PRELIMINARY

ALL DIMENSIONS SUBJECT TO 1/4" TOLERANCES

These drawings, concepts, and details contained herein are the original proprietary designs of **NESPA ENTERPRISES INC.**, developed over many years of experience in the industry and as such are protected by the copyright laws of the United States Government. Reproduction of any of the above without written permission to do so by **NESPA ENTERPRISES INC.**, is illegal.

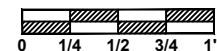
NESPA ENTERPRISES INC.
 2800 Richter Ave. Ste. C Oroville, CA 95966
 Office: (530) 534-9910 Fax: (530) 534-9915
 E-Mail: jim@tiledspas.com Web Site: www.tiledspas.com



If printing as a PDF:

Page Scaling:

SCALE
N/A



DWG NAME

CASA GRANDE

DATE

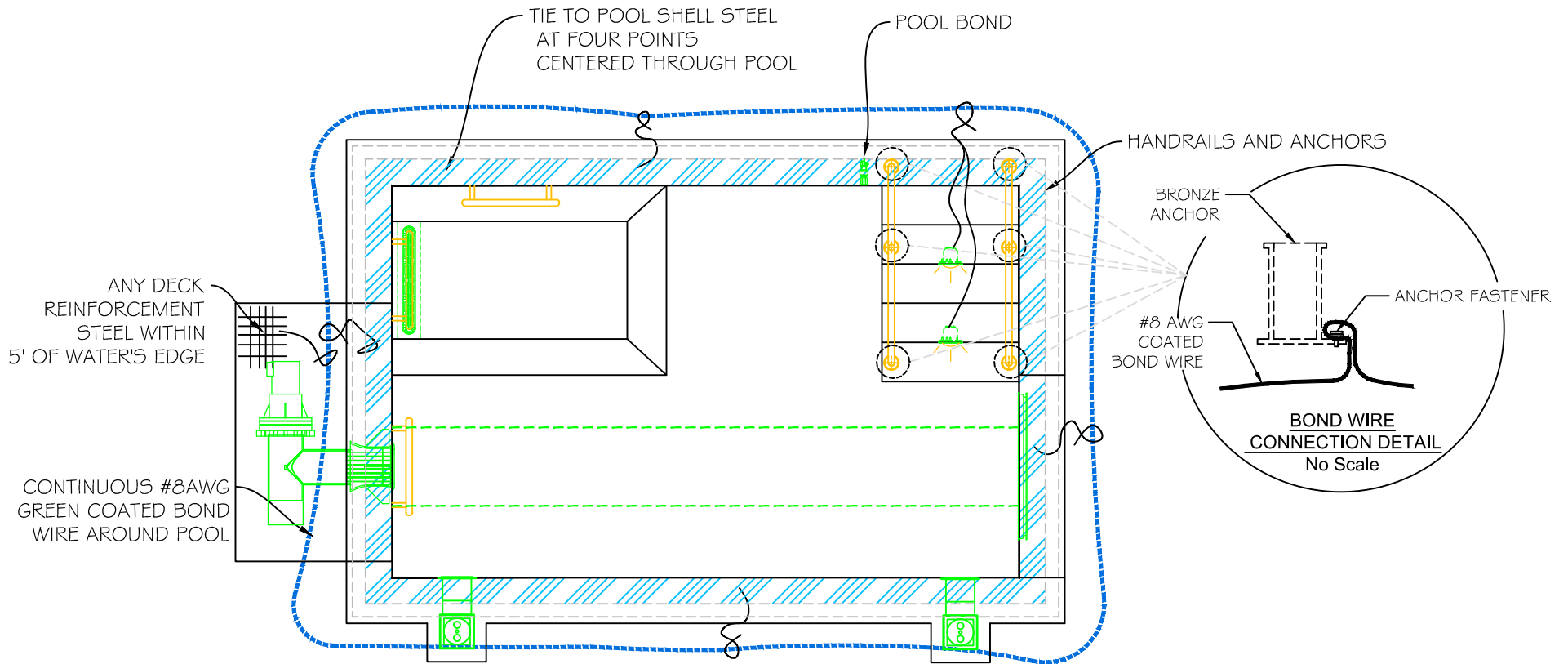
4/24/2013

DWG TYPE

Spa Equipment

SHEET

PAGE 6 OF 14



TYPICAL BONDING DETAIL

1. INSTALL PER NEC 2008, SECTION 680 REQUIREMENTS
2. USE #8 COATED TAILS OFF BOND LOOP TO EQUIPMENT AND STEEL NOT IMMEDIATELY ADJACENT TO BOND LOOP

4/26/2013 3:29:38 PM

All drawing dimensions supplied by [NESPA ENTERPRISES INC.](http://www.nespa.com) are for reference only. All CAD files were created using AutoCAD file (*.dwg.) and were provided as a service to our customers using AutoCAD. Errors sometimes occur during this process and with software incompatibility upon opening a file. [NESPA ENTERPRISES INC.](http://www.nespa.com) and/or any authorized distributor of our products will not be held responsible for problems arising from files which have been converted and does not warranty the documents against deficiencies or typographical errors of any kind. We recommend that all measurements are verified with actual physical product before any custom fabrication in the field occurs. ALL DIMENSIONS SUBJECT TO 1/4" TOLERANCES

PRELIMINARY

These drawings, concepts, and details contained herein are the original proprietary designs of [NESPA ENTERPRISES INC.](http://www.nespa.com), developed over many years of experience in the industry and as such are protected by the copyright laws of the United States Government. Reproduction of any of the above without written permission to do so by [NESPA ENTERPRISES INC.](http://www.nespa.com), is illegal.

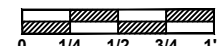
NESPA ENTERPRISES INC.
 2800 Richter Ave. Ste. C Oroville, CA 95966
 Office: (530) 534-9910 Fax: (530) 534-9915
 E-Mail: jim@tiledspas.com Web Site: www.tiledspas.com



If printing as a PDF:

Page Scaling:

SCALE
1/4" = 1'



DWG NAME
CASA GRANDE

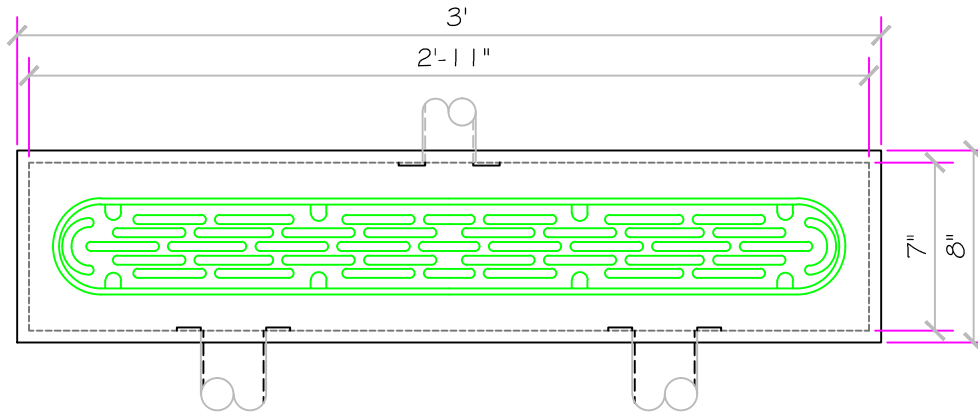
DATE
4/24/2013

DWG TYPE
Bonding Detail
SHEET
PAGE 7 OF 14

Note: Plumbing Flow rate of approved sump not to exceed VGB 2008 rating of drain grate.

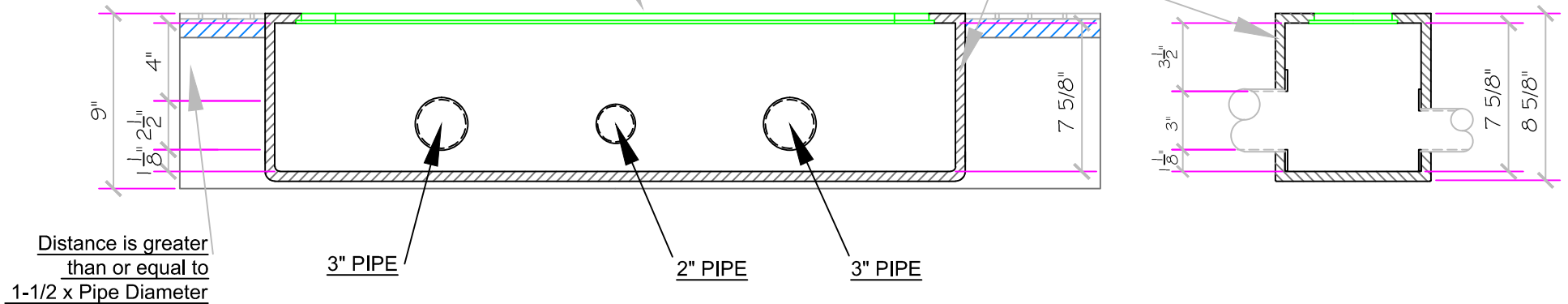
Note : Sump not intended to carry load of pool or spa.
Sump to be protected from vessel weight bearing.

Nespa.32CD,3332



AquaStar 32CDFLFR, 32" Channel Drain,
Approved Max Flow Rate: Floor = 236 GPM @ 3.4 fps
Wall = 136 GPM @ 1.9 fps
V.G.B Approved Safety Drain

SPA FIBERGLASS COMPOSITE DRAIN SUMP



4/26/2013 3:29:39 PM

PRELIMINARY

ALL DIMENSIONS SUBJECT TO 1/4" TOLERANCES

These drawings, concepts, and details contained herein are the original proprietary designs of **NESPA ENTERPRISES INC.**, developed over many years of experience in the industry and as such are protected by the copyright laws of the United States Government. Reproduction of any of the above without written permission to do so by **NESPA ENTERPRISES INC.**, is illegal.

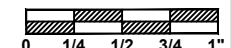
NESPA ENTERPRISES INC.
2800 Richter Ave. Ste. C Oroville, CA 95966
Office: (530) 534-9910 Fax: (530) 534-9915
E-Mail: jim@tiledspas.com Web Site: www.tiledspas.com



If printing as a PDF:

Page Scaling:

SCALE
1 1/2" = 1'



DWG NAME
CASA GRANDE

DATE
4/24/2013

DWG TYPE
Main Drain Detail
SHEET
PAGE 8 OF 14

AQUASTAR

pool products



A Safe Drain is No Accident™

32" Channel Drain Flat Grate Anti-Entrapment Suction Outlet Cover and Frame

VGB Series

Product Specification Sheet

The AquaStar line of suction outlet covers compliant with the new Virginia Graeme-Baker Pool and Spa Safety Act (ASME/ANSI A112.19.8-2007)

Features

A Single, Unblockable Suction Outlet that Exceeds the New VGB Mandate and ASME/ANSI A112.19.8-2007 Standard

For Single or Multiple Drain Use (See Installation Instructions for Plumbing, Hydrostatic Valve/ Drain Pipe & Single or Multi-Pump Connections)

Single:

Floor: 316 GPM at 3.9 fps
Wall: 208 GPM at 2.6 fps

Dual:

Floor: 632 GPM at 3.9 fps
Wall: 416 GPM at 2.6 fps
Floor: 242 GPM at 1.5 fps

25.9 sq. in. Opening

#316 Stainless Steel Screws

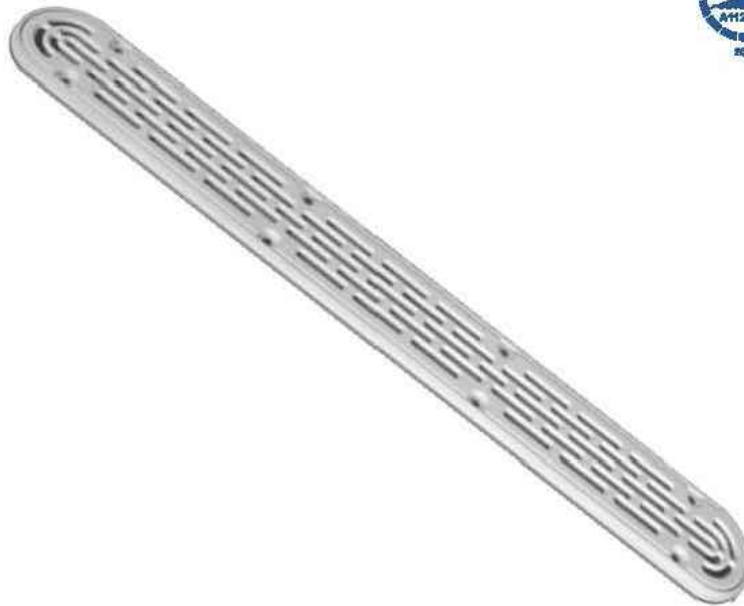
Manufactured from Super Strong UV Resistant ABS/ASA Material

Meets or Exceeds ASME/ANSI A112.19.8-2007 National Standards and ASTM G154 UV Testing

Listed with IAPMO R&T

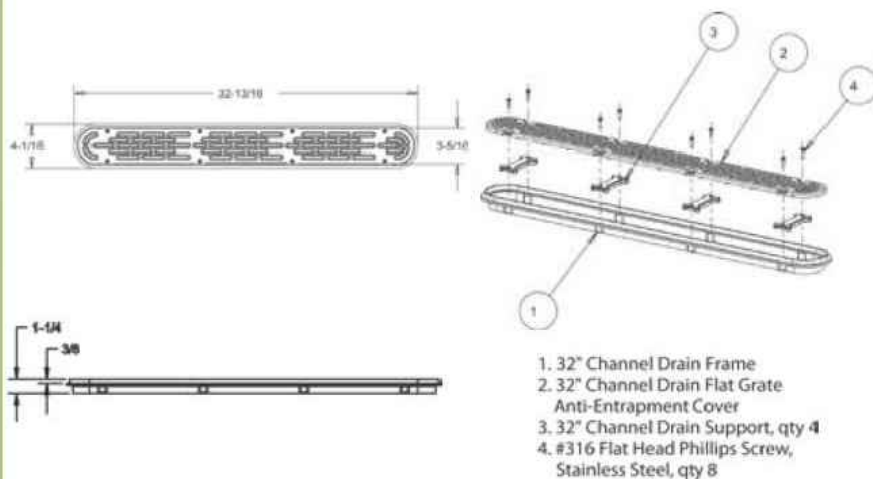
12 Per Case

The Unblockable!™



Part Numbers / Colors

- 32CDFLFR101 White
- 32CDFLFR102 Black
- 32CDFLFR103 Lt. Gray
- 32CDFLFR104 Blue
- 32CDFLFR105 Dk. Gray
- 32CDFLFR106 Bone
- 32CDFLFR107 Taupe
- 32CDFLFR108 Tan



P 877-768-2717 F 877-276-POOL info@aquastarpoolproducts.com www.aquastarpoolproducts.com

★ ★ PROUDLY MADE
★ ★ IN THE USA

4/26/2013 3:29:39 PM

PRELIMINARY

ALL DIMENSIONS SUBJECT TO 1/4" TOLERANCES

NESPA ENTERPRISES INC.

2800 Richter Ave. Suite C Oroville, CA 95966

Office: (530) 534-9910 Fax: (530) 534-9915

E-Mail: jim@tiledspas.com Web Site: www.tiledspas.com



If printing as a PDF:

Page Scaling:

SCALE
N/A

DWG TYPE

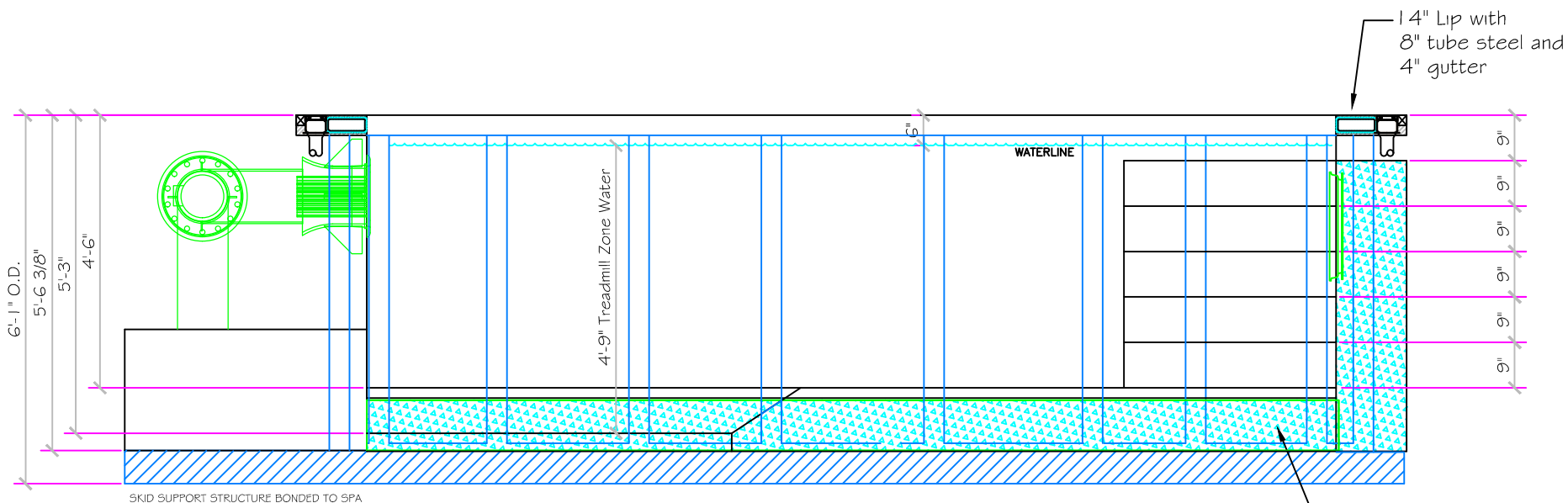
Main Drain Detail (2)

DWG NAME
CASA GRANDE

DATE
4/24/2013

SHEET
PAGE 9 OF 14

These drawings, concepts, and details contained herein are the original proprietary designs of NESPA ENTERPRISES INC., developed over many years of experience in the industry and as such are protected by the copyright laws of the United States Government. Reproduction of any of the above without written permission to do so by NESPA ENTERPRISES INC., is illegal.



SPECIFICATIONS	
SHELL WEIGHT:	8000 LBS.
WATER WEIGHT:	44900 LBS.
TOTAL SHELL & WATER WEIGHT:	52899.7 LBS.
WATER VOLUME:	720 Cu.Ft.
WATER GALLONS:	5386 GAL.
SURFACE AREA:	160.0 SQ. FT.
ICC ES LISTED #:	PMG-1161
FDA#:	2030305

Volume of 10" x 24" Water channel is:
22.4 Cu Ft
168 Gallons

4/26/2013 3:29:40 PM

All drawing dimensions supplied by **NESPA ENTERPRISES INC.** are for reference only. All CAD files were created using AutoCAD file (*.dwg.) and were provided as a service to our customers using AutoCAD. Errors sometimes occur during this process and with software incompatibility upon opening a file. **NESPA ENTERPRISES INC.** and/or any authorized distributor of our products will not be held responsible for problems arising from files which have been converted and does not warranty the documents against deficiencies or typographical errors of any kind. We recommend that all measurements are verified with actual physical product before any custom fabrication in the field occurs.

PRELIMINARY

ALL DIMENSIONS SUBJECT TO 1/4" TOLERANCES

These drawings, concepts, and details contained herein are the original proprietary designs of **NESPA ENTERPRISES INC.**, developed over many years of experience in the industry and as such are protected by the copyright laws of the United States Government. Reproduction of any of the above without written permission to do so by **NESPA ENTERPRISES INC.**, is illegal.

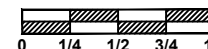
NESPA ENTERPRISES INC.
2800 Richter Ave. Ste. C Oroville, CA 95966
Office: (530) 534-9910 Fax: (530) 534-9915
E-Mail: jim@tiledspas.com Web Site: www.tiledspas.com



If printing as a PDF:

Page Scaling: None

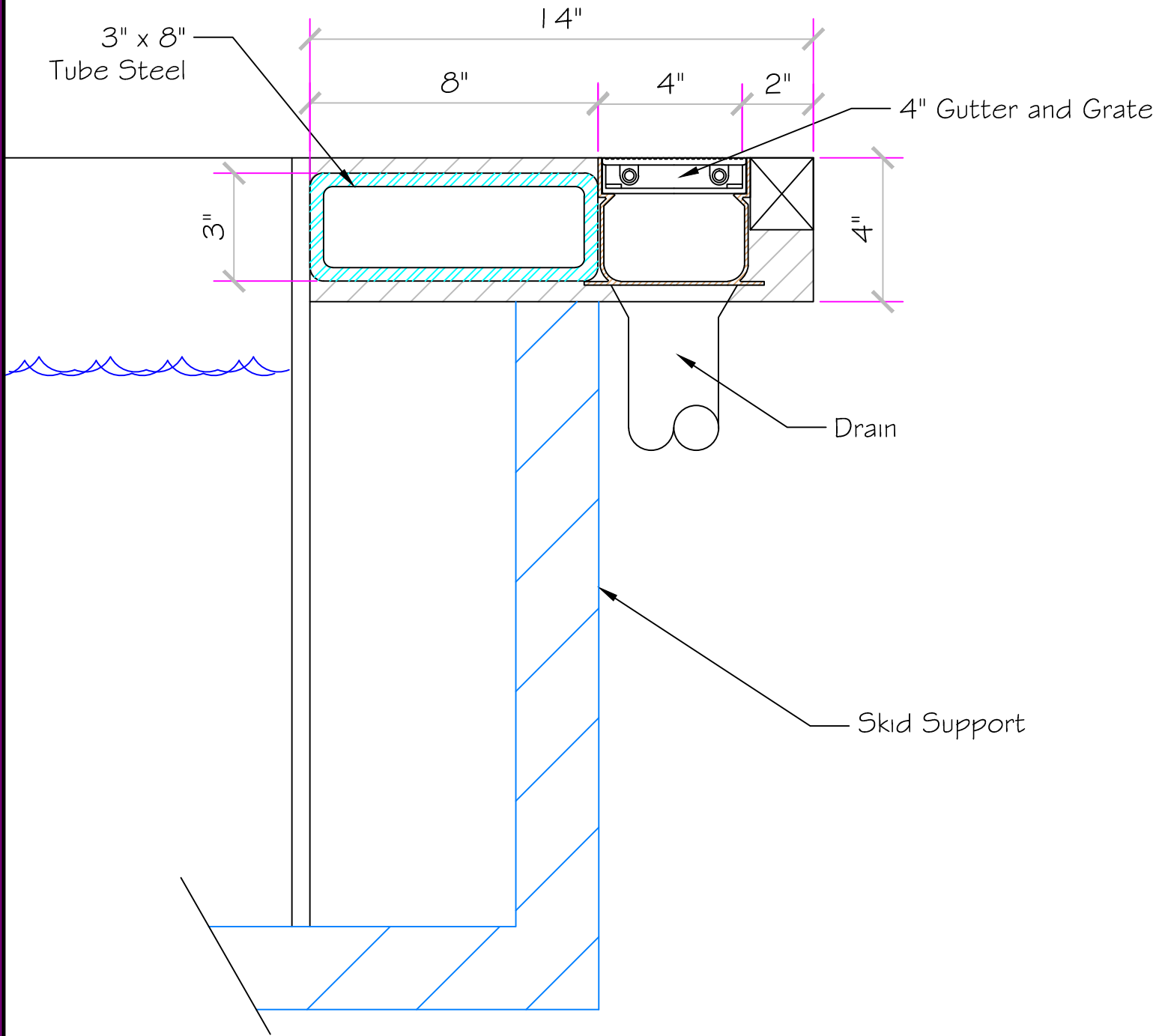
SCALE
3/8" = 1'



DWG NAME
CASA GRANDE

DATE
4/26/2013

DWG TYPE
Section
SHEET
PAGE 2 OF 14



4/26/2013 3:29:41 PM

PRELIMINARY

ALL DIMENSIONS SUBJECT TO 1/4" TOLERANCES

NESPA ENTERPRISES INC.
 2800 Richter Ave. Suite C Oroville, CA 95966
 Office: (530) 534-9910 Fax: (530) 534-9915
 E-Mail: jim@tiledspas.com Web Site: www.tiledspas.com



If printing as a PDF:
 Page Scaling:
 DWG NAME: CASA GRANDE

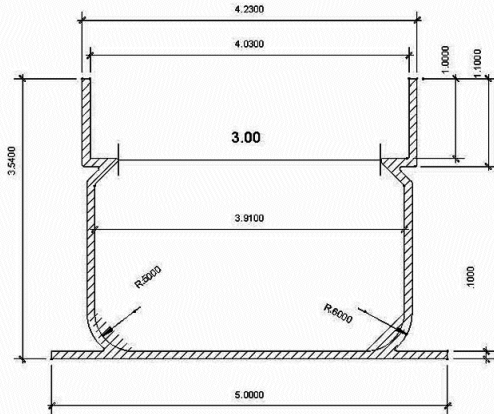
SCALE: 3" = 1"
 DATE: 4/26/2013

DWG TYPE: DeckDrain
 SHEET: PAGE 10 OF 14

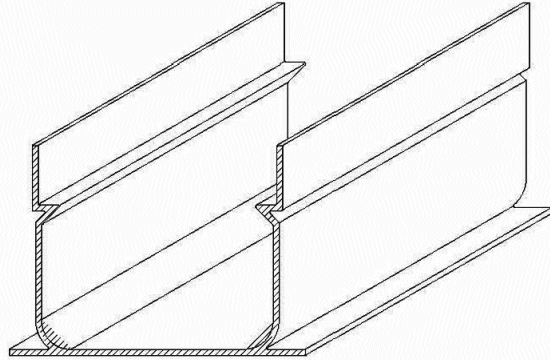
These drawings, concepts, and details contained herein are the original proprietary designs of NESPA ENTERPRISES INC., developed over many years of experience in the industry and as such are protected by the copyright laws of the United States Government. Reproduction of any of the above without written permission to do so by NESPA ENTERPRISES INC., is illegal.

DECK TRENCH DRAIN 4" WIDE

STRAIGHT AND RADIUS(DOWN TO 4 FEET)



END VIEW



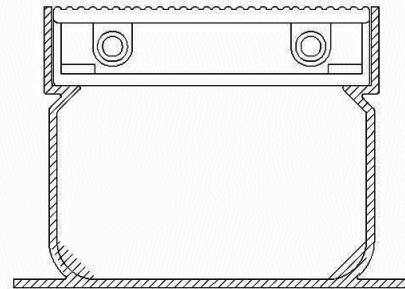
DECK DRAIN BASE

GUIDE SPECIFICATIONS

4" DECK DRAIN BASE made of extruded, U.V. stabilized, rigid PVC. An open section of 4.03" at the top with an initial depth of 1.0", and having a ledge on each side of approximately 0.50" for a grate to sit on. The bottom section of the drain to be 4.0" wide. Overall depth of 3.5". The underside of the base with an overall width of 5.0" with protrusions to give stability and enable anchoring down prior to pouring the cement/gunite. Protrusions to ensure the drain is embedded into the concrete/gunite. Each section to be joined using a male PVC sleeve of the same shape and secured with standard PVC glue. The base comes in 10' lengths. 90 degree corners, 45 degree corners, special corners, Tee sections, end caps, down sections with 1 1/2", 2", or 3" PVC couplings, and end adapters with 1 1/2" or 2", or 3" PVC couplings are also available. Deck drain radii can be produced down to a 4 foot radius.

As manufactured by Lawson Aquatics (800)897-6160

COLOR: WHITE



EXAMPLE

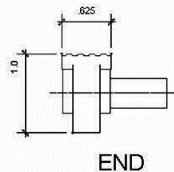
DECK DRAIN GRATE

4.0" "T" BAR SIZE

Modular, interlocking pieces of PVC, U.V. stabilized grating. The top surface shall have a raised design to create good friction, wet or dry, and be 5/8" wide with a depth of 1.0". The space between the pieces shall not exceed 1/4". Each piece of grate shall have a slotted hole at the ends for insertion of a stainless steel fastener clip and anchor screws at least every 3 feet and shall be easily removable. Grating surface bars shall run perpendicular to the line of trench and with the gap, provide at least 25% open space per foot for unrestricted water flow. The color of the grate shall be _____.

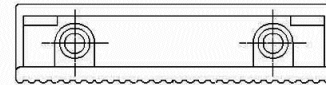
As manufactured by Lawson Aquatics (800)897-6160

COLORS: WHITE, BONE, TAN, GREY, AND BLACK

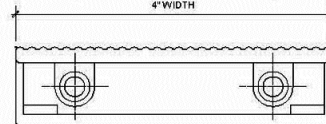
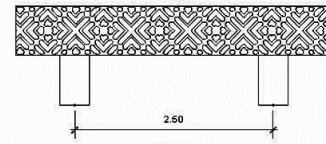


END

REAR



TOP



FRONT

All drawing dimensions supplied by Lawson Aquatics Inc. website are for reference only. All CAD files were created using AutoCAD file (*.dwg) and were posted on the website as a service to our customers using AutoCAD. Errors sometimes occur during this process and with software incompatibility upon opening a file. Lawson Aquatics Inc. and/or any authorized distributor of our products will not be held responsible for problems arising from files which have been converted and does not warrant the documents against deficiencies or typographical errors of any kind. We recommend that all measurements are verified with actual physical product before any custom fabrication in the field occurs.

REVISED	BY	JMS
DRAWING CODE	DATE	12/08/2010
	DTD-04-SR	

4/26/2013 3:29:42 PM

PRELIMINARY

ALL DIMENSIONS SUBJECT TO 1/4" TOLERANCES

NESPA ENTERPRISES INC.

2800 Richter Ave. Suite C Oroville, CA 95966

Office: (530) 534-9910

Fax: (530) 534-9915

E-Mail: jim@tiledspas.com Web Site: www.tiledspas.com



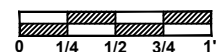
If printing as a PDF:

Page Scaling:

DWG NAME

CASA GRANDE

SCALE
N/A



DATE
4/24/2013

DWG TYPE

DeckDrain (2)

SHEET

PAGE 11 OF 14

These drawings, concepts, and details contained herein are the original proprietary designs of NESPA ENTERPRISES INC., developed over many years of experience in the industry and as such are protected by the copyright laws of the United States Government. Reproduction of any of the above without written permission to do so by NESPA ENTERPRISES INC., is illegal.



AQUATIC ACCESS®

HOME

PRODUCTS

ABOUT US

CUSTOMER COMMENTS

CONTACT US

IN-GROUND LIFTS

ABOVE-GROUND LIFTS

CUSTOM LIFTS

DIMENSIONS NEEDED

FAQ

PRICE LIST

2010 ADA INFO

SEE VIDEO OF LIFT

Pool Lift IGAT-180



In-Ground Automatic Turn 180°

Certified to meet the 2010 Standards for Accessible Design as well as the requirements of the ADA, ABA and CBC.

-Powered by Water Pressure -- lifts up to 400 LB. at 55-65 PSI open flow water pressure

-Custom Heavy-Duty modification available for larger users.

-No dangerous and expensive batteries required. Completely green to operate.

-Standard Vertical Seat Travel - 44".

-Installs in Deck Socket (Socket Cover included) Click to see video of installation.

-Easily removed for off-season storage.

-Each lift includes a seat belt.

-Flip-Up Footrest Included.

Easy retrofit to utilize off-brand lift deck sockets for ADA-compliance.

-California Seating Package Available to conform with California Building Code.

-Can Be Padlocked in Deck Position.

-Allows Independent Operation.

Named 2012 Most Valuable Product by Aquatics International!

Our best selling lift for most applications, the Model IGAT-180 is certified to meet the 2010 Standards for Accessible Design, now a law in the United States. It is user-operable, and its seat height is easily adjustable to accommodate various wheelchair heights. The 180 degree clockwise turn allows the greatest access from the deck for the user and any assistants. Side-to-side transfers are easy; the footrest flips up and the mounting arm for the footrest is under the seat. This allows for unobstructed transfer. The seat rotates forward when entering the pool, and backward when exiting the water. The IGAT-180 is a fixed installation, secured into deck with concrete and steel, but the lifting apparatus is easily removed for storage. The standard seat has a right arm only, but a flip-up outer arm is available. All components required for installation and operation are included in the price and ship with the lift. Many options and extras are available, including the California Seating Package which includes the necessary accessories to meet the California Building Code regulations for pool lifts. This unit is also available as a heavy-duty model with increased lifting capacity. Just let us know your needs when ordering. View and download our [dimensional worksheet](#) in .pdf format. To open this file, download the Free Adobe Acrobat Reader at www.adobe.com. Aquatic Access takes pride in offering our customers the most reasonable shipping costs available.

Static pressure (measured at faucet or hose with no water flowing) is affected by variables in the material, length, diameter and rigidity of the water lines and hoses from the street to the lift, and by how many other faucets are open at the same time. Operating pressure requirement (measured while lifting) is not affected by these variables.

** Opposite facing (opposite turn) and heavy-duty units available (custom charges may apply).

4/26/2013 3:29:43 PM

Rev. 10/11/12

PRELIMINARY

ALL DIMENSIONS SUBJECT TO 1/4" TOLERANCES

NESPA ENTERPRISES INC.

2800 Richter Ave. Suite C Oroville, CA 95966

Office: (530) 534-9910

Fax: (530) 534-9915

E-Mail: jim@tiledspas.com Web Site: www.tiledspas.com

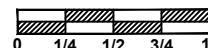


If printing as a PDF:

Page Scaling:

SCALE

N/A



DWG TYPE

Lift Detail

DWG NAME

CASA GRANDE

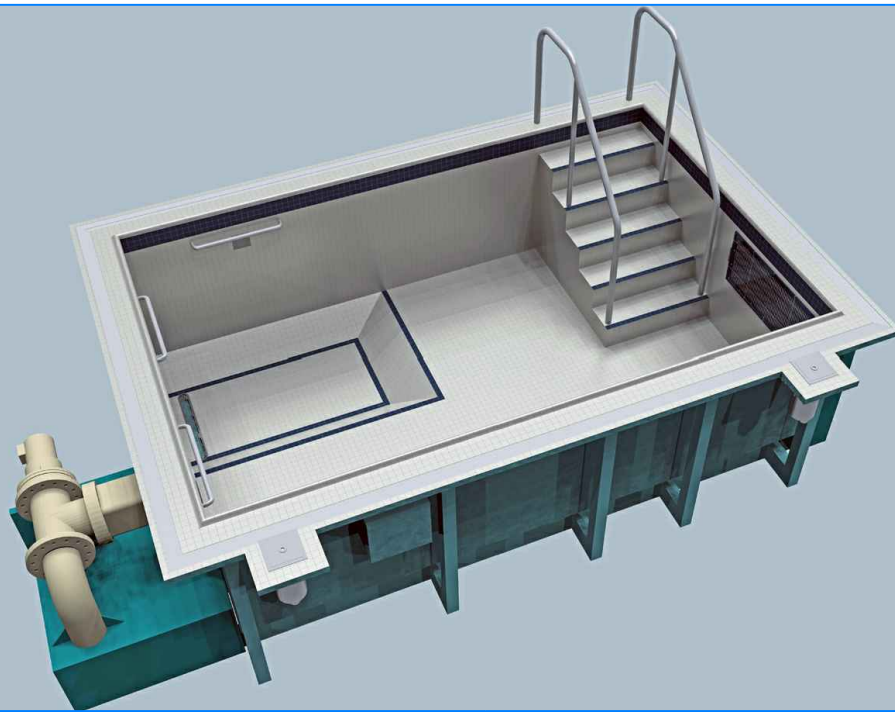
DATE

4/24/2013

SHEET

PAGE 12 OF 14

These drawings, concepts, and details contained herein are the original proprietary designs of NESPA ENTERPRISES INC., developed over many years of experience in the industry and as such are protected by the copyright laws of the United States Government. Reproduction of any of the above without written permission to do so by NESPA ENTERPRISES INC., is illegal.



4/26/2013 3:29:43 PM

PRELIMINARY

ALL DIMENSIONS SUBJECT TO 1/4" TOLERANCES

These drawings, concepts, and details contained herein are the original proprietary designs of **NESPA ENTERPRISES INC.**, developed over many years of experience in the industry and as such are protected by the copyright laws of the United States Government. Reproduction of any of the above without written permission to do so by **NESPA ENTERPRISES INC.**, is illegal.

NESPA ENTERPRISES INC.

2800 Richter Ave. Ste. C Oroville, CA 95966

Office: (530) 534-9910

Fax: (530) 534-9915

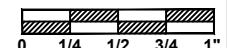
E-Mail: jim@tiledspas.com Web Site: www.tiledspas.com



If printing as a PDF:

Page Scaling:

SCALE
N/A



DWG TYPE

Render

DWG NAME

CASA GRANDE

DATE

4/26/2013

SHEET

PAGE 13 OF 14