



**NESPA**  
TILED SPAS

# **Production Booklet**

**for**

## **ASPIRE - POOL**

2800 Richter Ave. Suite C, Oroville, CA 95965 • **voice:** (530)534-9910  
**fax:** (530)534-9915 • **email:** sales@tiledspas.com • **website:** www.tiledspas.com



## RECOMMENDED MAINTENANCE

### *Please Note:*

These are only recommended guidelines to care for a Nespa all tiled spa. Local codes may require additional procedures, therefore consult with a pool professional that is LA county Health Department certified for more information on local codes and requirements.

### ***SPA SURFACE***

Your spa tile is acid resistant and frost-proof. The Tile does not absorb germs or algae. Tile does not stain and is very easy to clean. Color does not fade or lose its luster. All grouts are epoxy based and are extremely durable. To remove scum line use soft nylon brush and small amounts of biodegradable soaps. Do not use abrasive brushes or chemicals.

### **MAINTENANCE**

#### **A. CHEMICALS:**

- 1) It is important to maintain a chlorine residual of 2 PPM in the spa. That residual can be provided by chlorine or bromine.
- 2) It is recommended to use Bromine or dichlor (granular) forms of chlorine. If bromine Tabs are used we suggest floating or inline dispenser.
- 3) Never use acid to lower Ph in the tile spa.
- 4) Never use trichlor chlorine (1" or 3") tablets in the Nespa spas.
- 5) Never place tablets in skimmer basket.

#### **B. DRAINING THE SPA:**

- 1) It is recommended to drain the spa at least once every 2 months depending on bath load and water clarity.
- 2) The spa should be drained through valve exiting re-circulation pump in the spa equipment room or sump pump.
- 3) Note: Use caution to drain spa in the winter months or rainy season when water table is at its highest. It is possible for the spa to float due to hydraulic pressure from surrounding water table. We advise that you consult with your local spa specialist prior to draining the spa.

#### **C. SPA EQUIPMENT:**

- 1) Clean filter cartridge at least once every month, or when needed; i.e., if water clarity does not improve after several days.
- 2) Keep area free and clear from leaves and debris build-up.
- 3) Keep area free and clear from flooding.

#### **D. SPA LIGHT:**

- 1) Spa light has to be on GFCI circuit. It is controlled at spa side with ON/OFF.

#### **E. TILE SERVICING:**

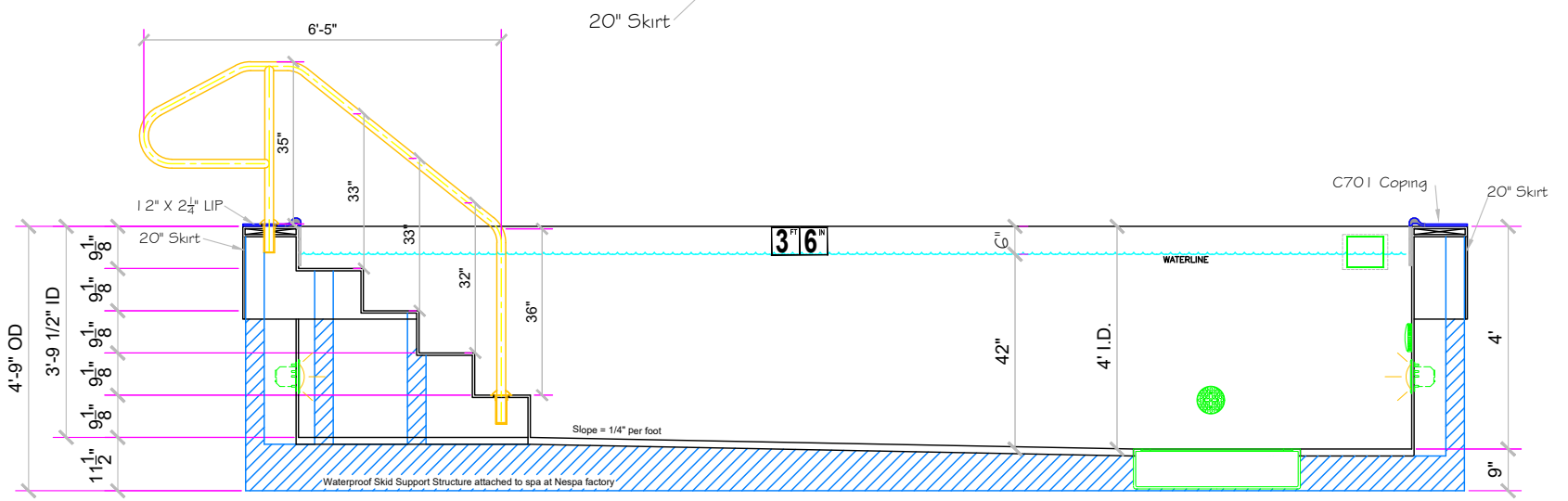
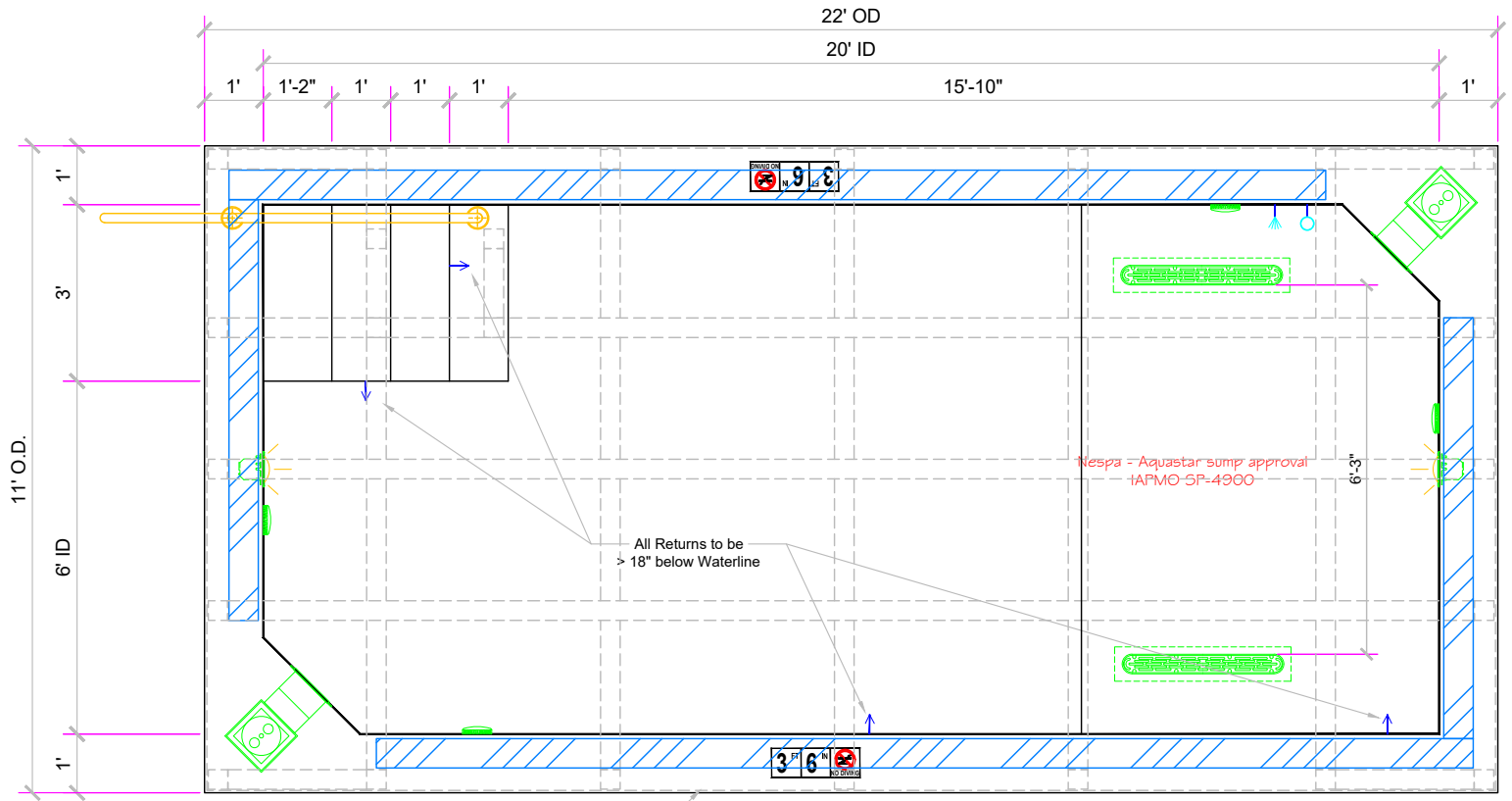
- 1) Contact manufacture when servicing tile or grout. @ (530) 534-9910

SPECIFICATIONS	
SHELL WEIGHT:	11000 LBS.
WATER WEIGHT:	30245 LBS.
TOTAL SHELL & WATER WEIGHT:	41245 LBS.
WATER VOLUME:	485 Cu.Ft.
WATER GALLONS:	3628 GAL.
SURFACE AREA:	177.3 SQ. FT.
ICC ES LISTED #:	PMG-1161



# Legacy 9' x 20' CS

Approved for Commercial use  
Complies with VGB Pool  
& Spa Safety Act



**#34**

**APPROVED**

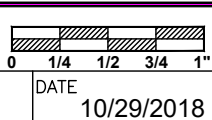
These drawings, concepts, and details contained herein are the original proprietary designs of **NESPA ENTERPRISES INC.**, developed over many years of experience in the industry and as such are protected by the copyright laws of the United States Government. Reproduction of any of the above without written permission to do so by **NESPA ENTERPRISES INC.**, is illegal.

**NESPA ENTERPRISES INC.**  
2800 Richter Ave. Ste. C Oroville, CA 95966  
Office: (530) 534-9910 Fax: (530) 534-9915  
E-Mail: [jim@tiledspas.com](mailto:jim@tiledspas.com) Web Site: [www.tiledspas.com](http://www.tiledspas.com)

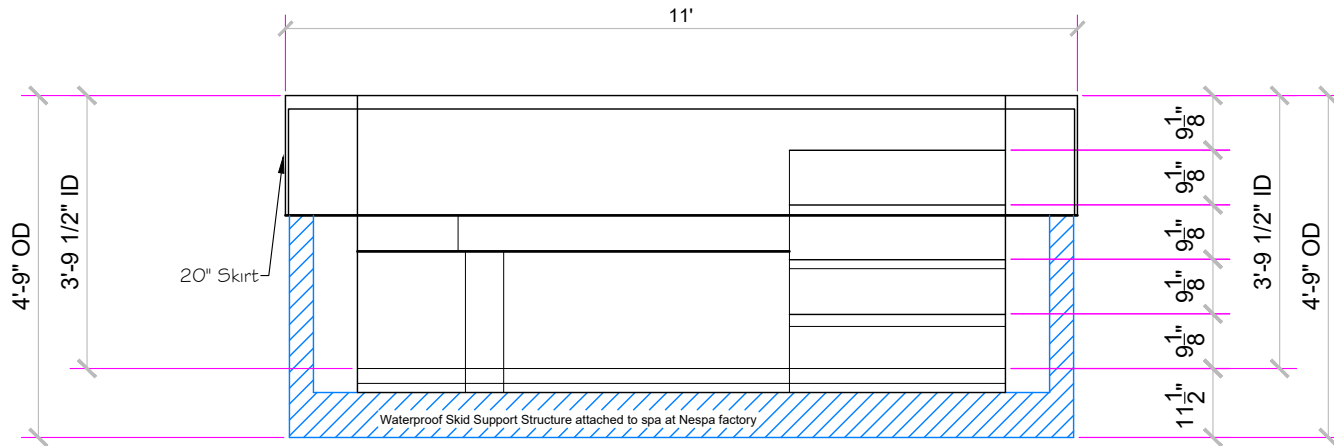
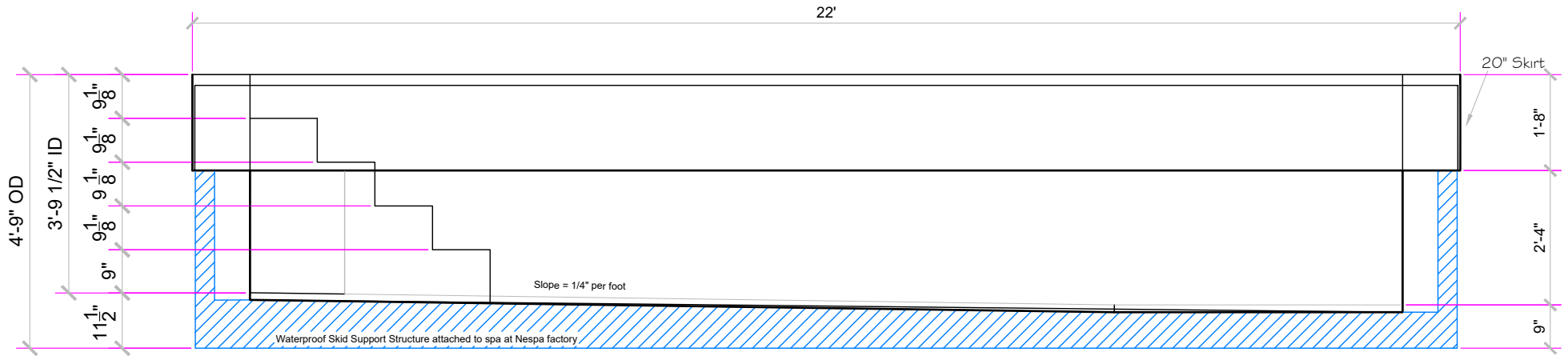


If printing as a PDF:  
Page Scaling:   
DWG NAME: **ASPIRE**

SCALE  
5/16" = 1'  
DATE: 10/29/2018



DWG TYPE: **POOL SD**  
SHEET: **PAGE 1 OF 9**



**APPROVED**

These drawings, concepts, and details contained herein are the original proprietary designs of **NESPA ENTERPRISES INC.**, developed over many years of experience in the industry and as such are protected by the copyright laws of the United States Government. Reproduction of any of the above without written permission to do so by **NESPA ENTERPRISES INC.**, is illegal

**NESPA ENTERPRISES INC.**  
 2800 Richter Ave. Ste. C Oroville, CA 95966  
 Office: (530) 534-9910 Fax: (530) 534-9915  
 E-Mail: [jim@tiledspas.com](mailto:jim@tiledspas.com) Web Site: [www.tiledspas.com](http://www.tiledspas.com)



If printing as a PDF:

Page Scaling:

SCALE  
 3/8" = 1'



DWG TYPE  
 POOL Elevations

DWG NAME  
 ASPIRE

DATE  
 10/17/2018

SHEET  
 PAGE 2 OF 9

# TILE

#1 - FIELD TILE: DAL TILE D317 BISQUIT 2 X 2

#2 - WATERLINE: NPT 3x3 Caribbean Blue - DSF95  
3 X 3 - Gloss Finish

#3 - STEP/BENCH TRIM TILE: DAL TILE D023 GALAXY 2 X 2

#4 - TILED LIP (Edge Trim): DAL TILE C701 - D317 BISQUIT

#5 - HORIZONTAL TILED LIP: DAL TILE D317 BISQUIT 2 X 2

#6 - EXTERIOR SKIRT: DAL TILE D317 BISQUIT 2 X 2



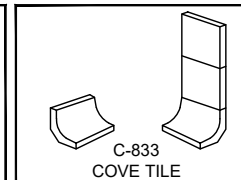
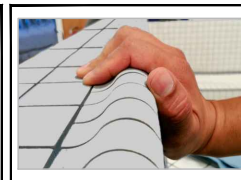
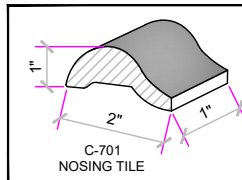
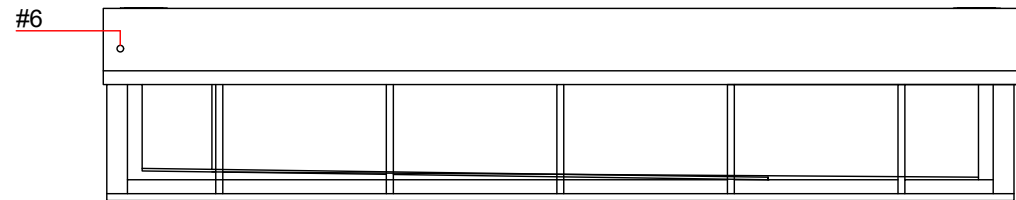
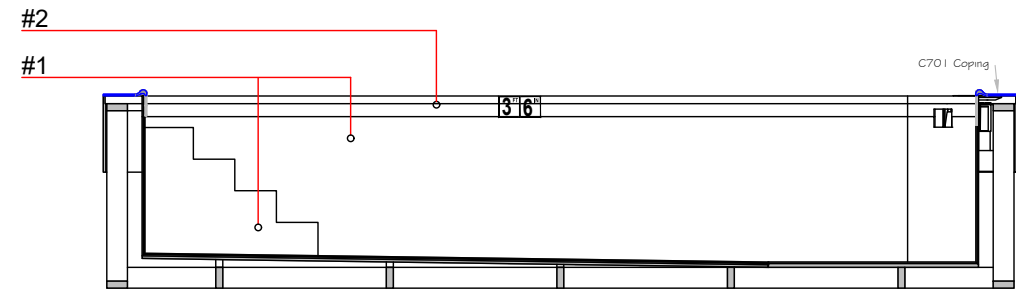
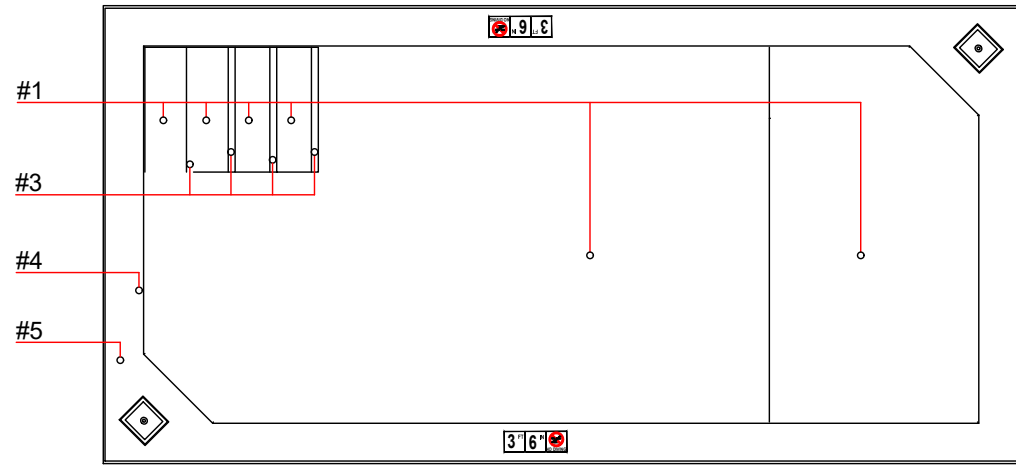
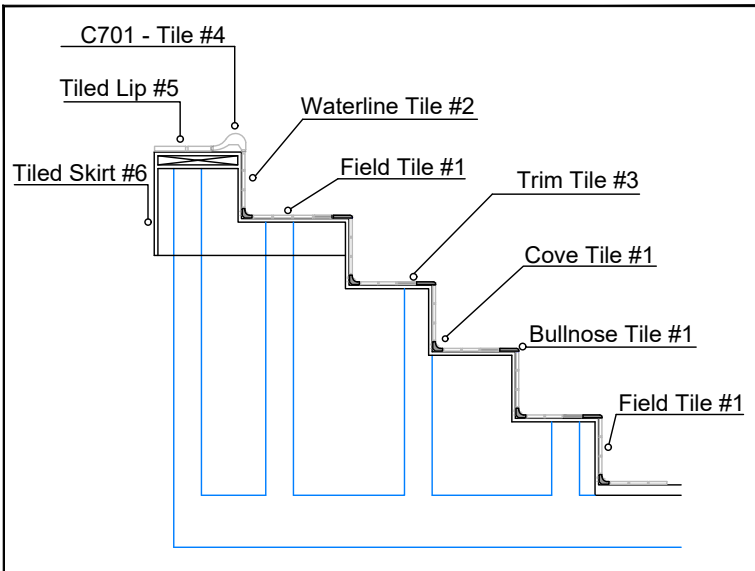
# GROUT

#1 - SPA Field Grout: Nespa Epoxy Grey mix of 200 & 164

#2 - SPA Waterline Grout: Nespa Epoxy Grey mix of 200 & 164

#3 - SPA Horizontal Lip Grout: Nespa Epoxy Grey mix of 200 & 164

# DETAIL



DATE: \_\_\_\_\_

APPROVAL: \_\_\_\_\_

**APPROVED**

These drawings, concepts, and details contained herein are the original proprietary designs of **NESPA ENTERPRISES INC.**, developed over many years of experience in the industry and as such are protected by the copyright laws of the United States Government. Reproduction of any of the above without written permission to do so by **NESPA ENTERPRISES INC.**, is illegal.

**NESPA ENTERPRISES INC.**  
 2800 Richter Ave. Ste. C Oroville, CA 95966  
 Office: (530) 534-9910 Fax: (530) 534-9915  
 E-Mail: [jim@tiledspas.com](mailto:jim@tiledspas.com) Web Site: [www.tiledspas.com](http://www.tiledspas.com)



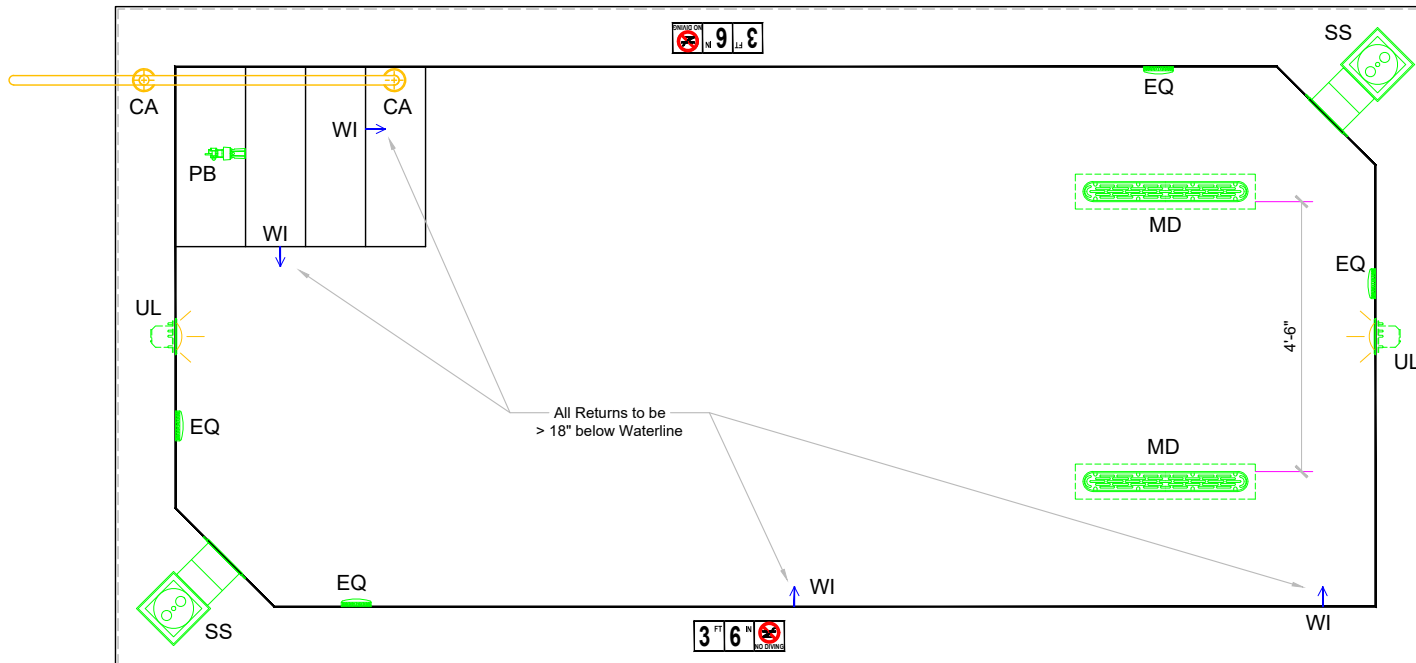
If printing as a PDF:  
 Page Scaling:

DWG NAME: **ASPIRE**

SCALE: **N/A**

DATE: **9/28/2018**

DWG TYPE: **POOL TILE**  
 SHEET: **PAGE 3 OF 9**



**EQUIPMENT LIST**

ITEM	CODE	EQUIPMENT	DESCRIPTION	MANUFACTURER	CATALOG NO.	QTY.
1	SS		SURFACE SKIMMER - AUTOMATIC W/ EQUALIZER, NSF APPROVED	HAYWARD	SP-1084FVE	2
2	MD		MAIN DRAIN: AQUASTAR 32CDFLFR, 32" CHANNEL DRAIN, Approved Max Flow Rate: Floor = 316 GPM @ 3.9 fps Complies w/ ANSI / ASME A112.19.8 & NSF / ANSI 16-2011 - V.G.B. APPROVED	AQUASTAR	32CDFLFR101	2
3	EQ		6" Round Hockey puck - Sumplless Suction Outlet Floor 177 GPM - Wall 122 GPM Complies w/ ANSI / ASME A112.19.8 & ANSI / APSP-16 for anti-hair and body entrapment Suction outlets comply with ANSI / APSP-7	AQUASTAR	6HPHxxxx	4
4	WI		INLET FITTINGS 1-1/2" WALL TYPE W/ EYEBALL COMPLIES W/ ANSI CODE ASME A112.19.8-07 UL APPROVED	HYDROAIR	10-3500	4
5	UL		LIGHT NICHE (FOR UNDERWATER LIGHT) W/ 1" HUB	PENTAIR	78242300	2
6	HR		HAND RAIL, STAINLESS STEEL, 6' - 5" LENGTH,	CUSTOM	P-Rail	1
7	CA		CUP ANCHOR: 6" BIG BOY SOCKET - USES PW-4C WEDGE	PERMA-CAST	PS-6019-BC	2
8	PB		POOL BOND	PERMA-CAST	PB-2008	1

**APPROVED**

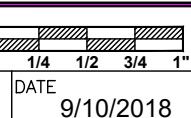
These drawings, concepts, and details contained herein are the original proprietary designs of **NESPA ENTERPRISES INC.**, developed over many years of experience in the industry and as such are protected by the copyright laws of the United States Government. Reproduction of any of the above without written permission to do so by **NESPA ENTERPRISES INC.**, is illegal

**NESPA ENTERPRISES INC.**  
 2800 Richter Ave. Ste. C Oroville, CA 95966  
 Office: (530) 534-9910 Fax: (530) 534-9915  
 E-Mail: [jim@tiledspas.com](mailto:jim@tiledspas.com) Web Site: [www.tiledspas.com](http://www.tiledspas.com)

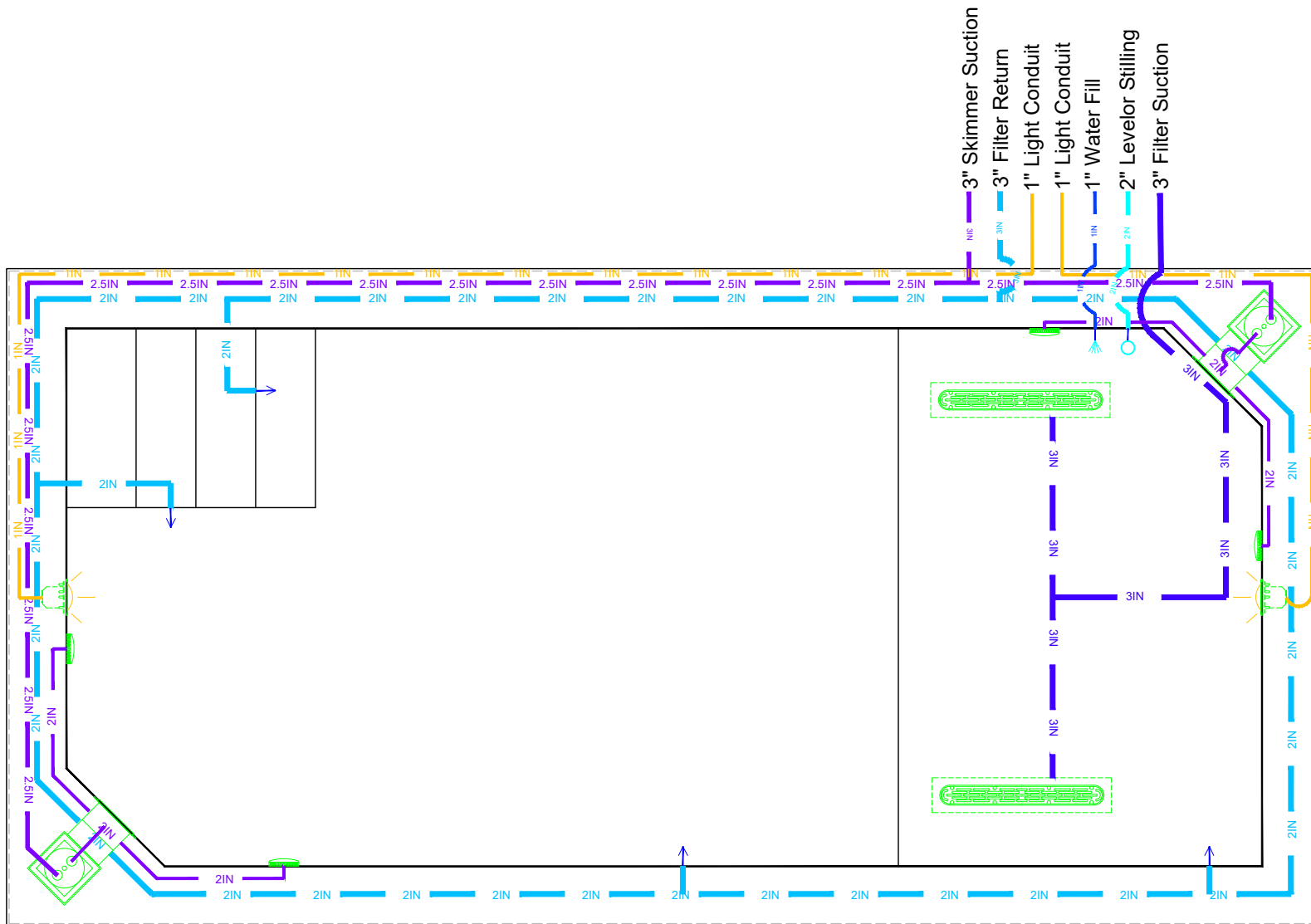


If printing as a PDF:  
 Page Scaling:   
 DWG NAME: **ASPIRE**

SCALE: 5/16" = 1"  
 DATE: 9/10/2018



DWG TYPE: **Pool EQ**  
 SHEET: **PAGE 4 OF 9**



**APPROVED**

These drawings, concepts, and details contained herein are the original proprietary designs of **NESPA ENTERPRISES INC.**, developed over many years of experience in the industry and as such are protected by the copyright laws of the United States Government. Reproduction of any of the above without written permission to do so by **NESPA ENTERPRISES INC.**, is illegal.

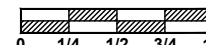
**NESPA ENTERPRISES INC.**  
 2800 Richter Ave. Ste. C Oroville, CA 95966  
 Office: (530) 534-9910 Fax: (530) 534-9915  
 E-Mail: [jim@tiledspas.com](mailto:jim@tiledspas.com) Web Site: [www.tiledspas.com](http://www.tiledspas.com)



If printing as a PDF:

Page Scaling:

SCALE  
 3/8" = 1'



DWG TYPE  
 Pool Plumbing

DWG NAME  
 ASPIRE

DATE  
 10/17/2018

SHEET  
 PAGE 5 OF 9

2" Levelor Stilling

1" Water Fill

3" Filter Return

3" Filter Suction



3" Skimmer Suction

1" Light Conduit

1" Light Conduit

These drawings, concepts, and details contained herein are the original proprietary designs of [NESPA ENTERPRISES INC.](http://www.nespa.com), developed over many years of experience in the industry and as such are protected by the copyright laws of the United States Government. Reproduction of any of the above without written permission to do so by [NESPA ENTERPRISES INC.](http://www.nespa.com), is illegal

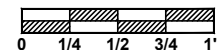
**NESPA ENTERPRISES INC.**  
 2800 Richter Ave. Ste. C Oroville, CA 95966  
 Office: (530) 534-9910 Fax: (530) 534-9915  
 E-Mail: [jim@tiledspas.com](mailto:jim@tiledspas.com) Web Site: [www.tiledspas.com](http://www.tiledspas.com)



If printing as a PDF:

Page Scaling:

SCALE  
N/A



DWG NAME  
ASPIRE

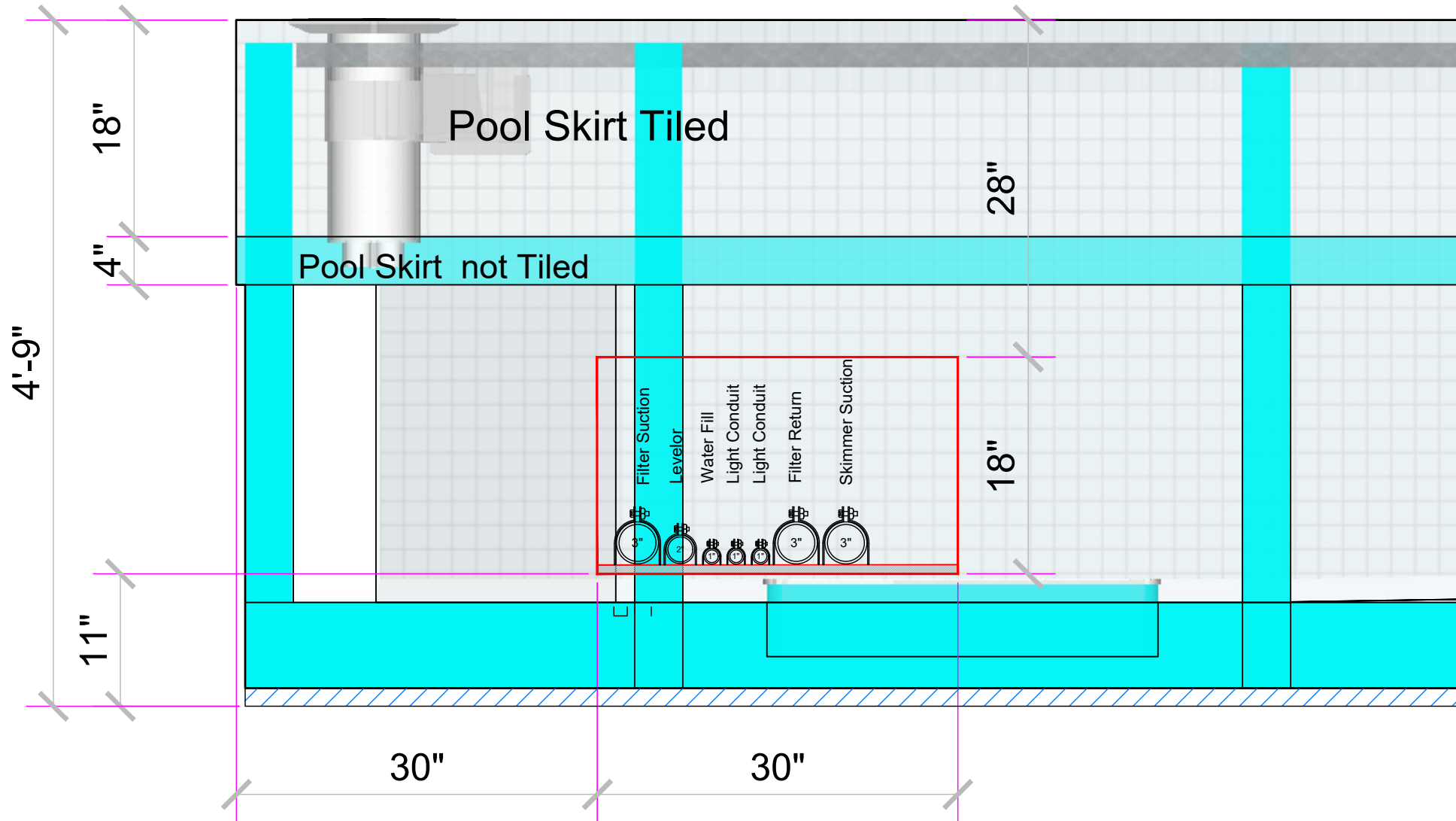
DATE  
12/18/2018

DWG TYPE  
Plumbing ID

SHEET  
PAGE 1 OF 1



# POOL #34



**APPROVED**

These drawings, concepts, and details contained herein are the original proprietary designs of **NESPA ENTERPRISES INC.**, developed over many years of experience in the industry and as such are protected by the copyright laws of the United States Government. Reproduction of any of the above without written permission to do so by **NESPA ENTERPRISES INC.**, is illegal.

**NESPA ENTERPRISES INC.**  
 2800 Richter Ave. Ste. C Oroville, CA 95966  
 Office: (530) 534-9910 Fax: (530) 534-9915  
 E-Mail: [jim@tiledspas.com](mailto:jim@tiledspas.com) Web Site: [www.tiledspas.com](http://www.tiledspas.com)

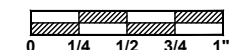


If printing as a PDF:

Page Scaling:

SCALE

1" = 1'



DWG TYPE

Plumbing Layout (POOL)

DWG NAME

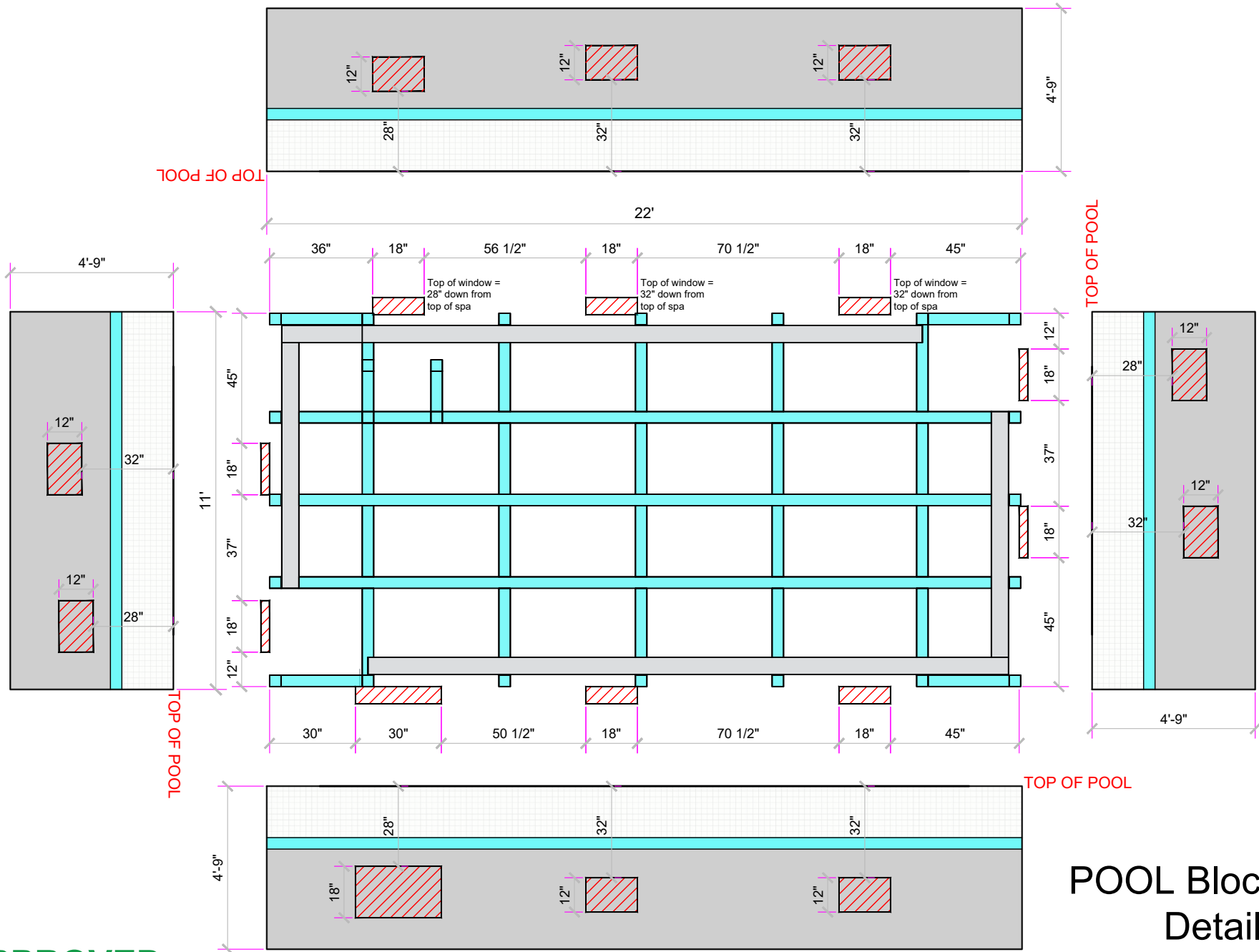
ASPIRE

DATE

10/17/2018

SHEET

PAGE 6 OF 9



# POOL Block-Out Detail

**APPROVED**

These drawings, concepts, and details contained herein are the original proprietary designs of **NESPA ENTERPRISES INC.**, developed over many years of experience in the industry and as such are protected by the copyright laws of the United States Government. Reproduction of any of the above without written permission to do so by **NESPA ENTERPRISES INC.**, is illegal

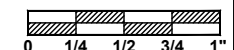
**NESPA ENTERPRISES INC.**  
 2800 Richter Ave. Ste. C Oroville, CA 95966  
 Office: (530) 534-9910 Fax: (530) 534-9915  
 E-Mail: [jim@tiledspas.com](mailto:jim@tiledspas.com) Web Site: [www.tiledspas.com](http://www.tiledspas.com)



If printing as a PDF:

Page Scaling:

SCALE  
 1/4" = 1'

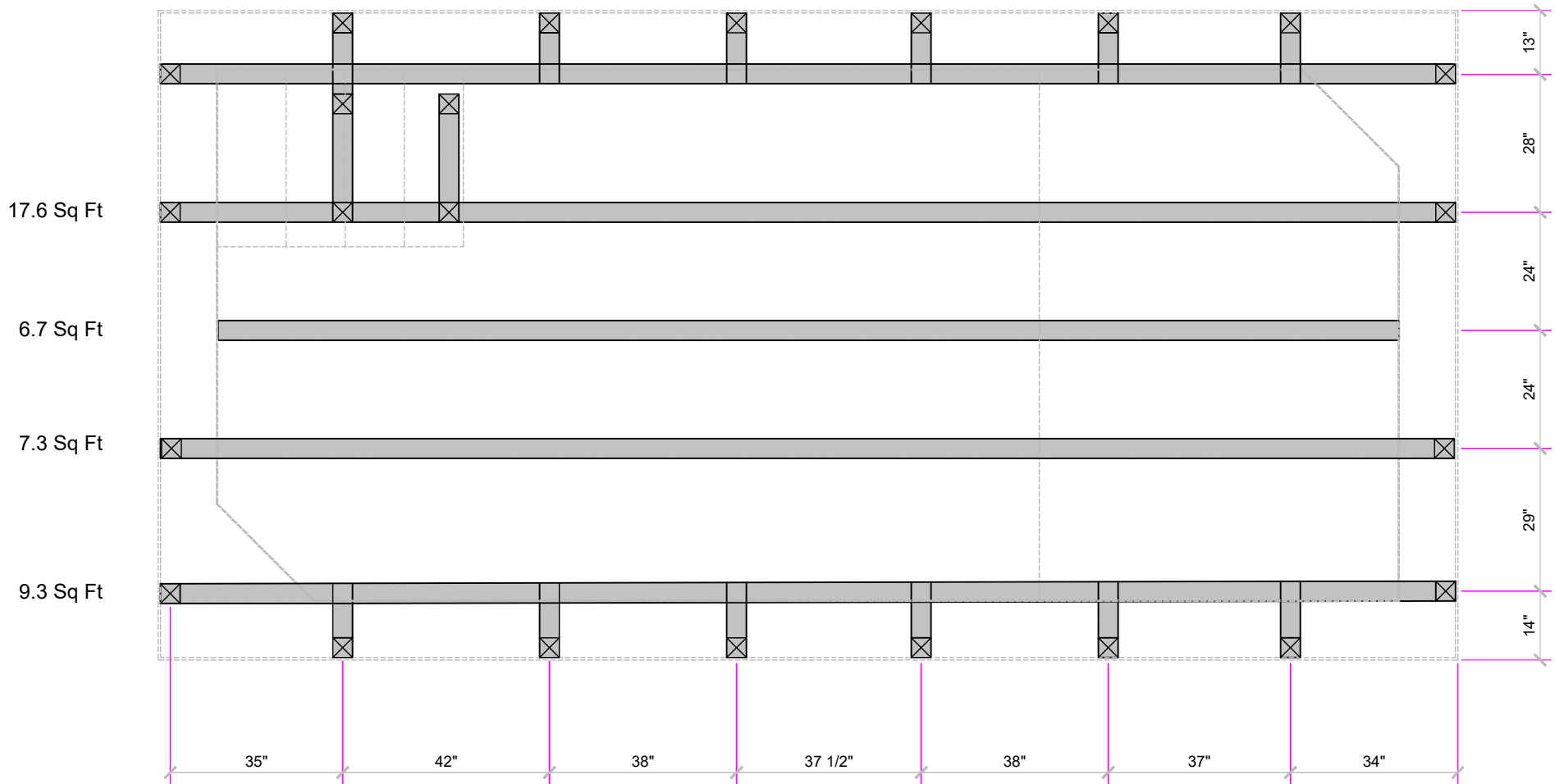


DWG TYPE  
 Pool Block Out Detail

DWG NAME  
 ASPIRE

DATE  
 10/17/2018

SHEET  
 PAGE 7 OF 9



**TOTAL = 40.9 Sq Ft**  
**POOL FLOOR**  
**CONTACT AREA**

**APPROVED**

These drawings, concepts, and details contained herein are the original proprietary designs of **NESPA ENTERPRISES INC.**, developed over many years of experience in the industry and as such are protected by the copyright laws of the United States Government. Reproduction of any of the above without written permission to do so by **NESPA ENTERPRISES INC.**, is illegal.

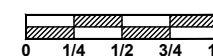
**NESPA ENTERPRISES INC.**  
 2800 Richter Ave. Ste. C Oroville, CA 95966  
 Office: (530) 534-9910 Fax: (530) 534-9915  
 E-Mail: [jim@tiledspas.com](mailto:jim@tiledspas.com) Web Site: [www.tiledspas.com](http://www.tiledspas.com)



If printing as a PDF:

Page Scaling:

SCALE  
 3/8" = 1'



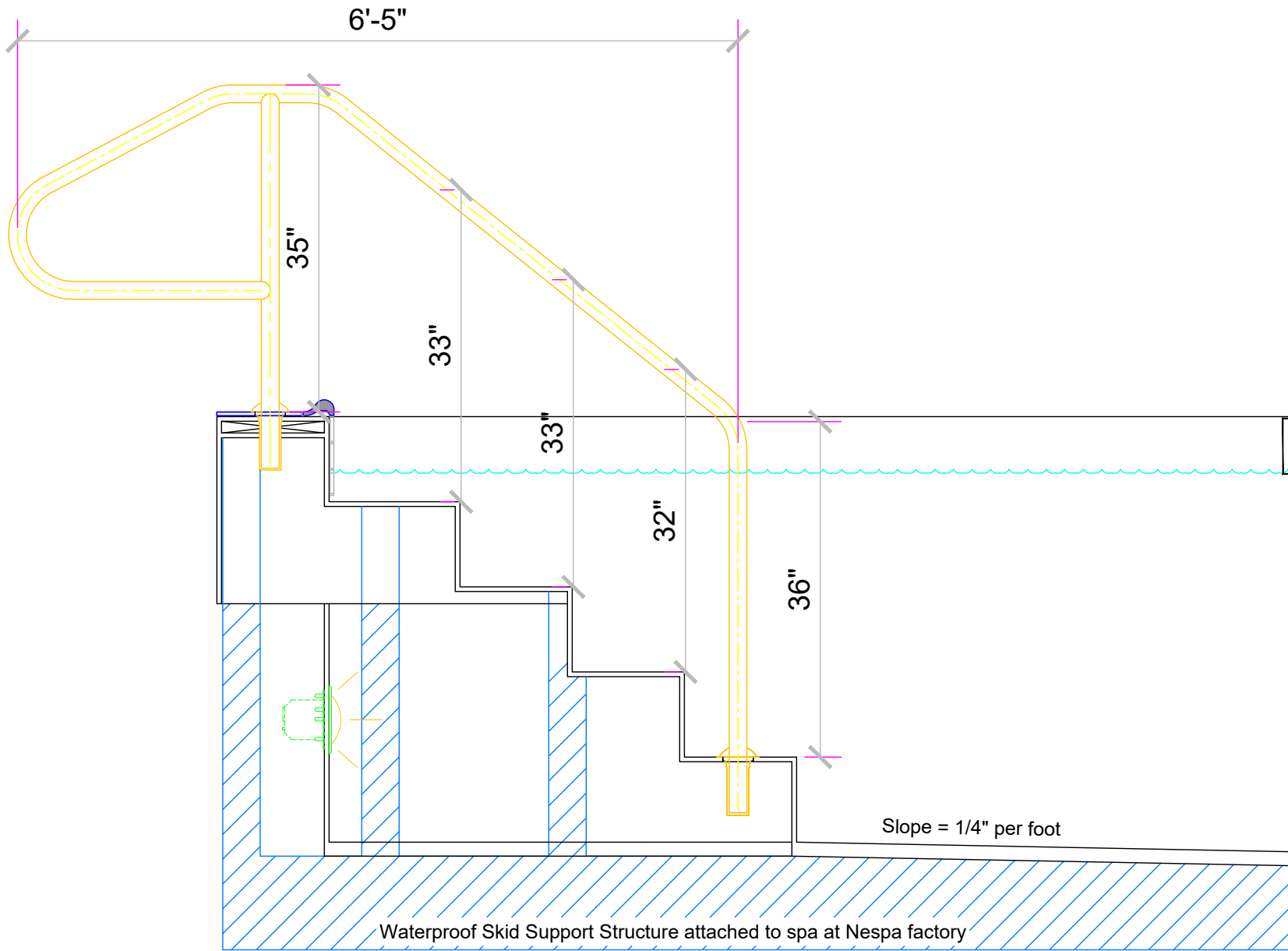
DWG TYPE

Pool Skid Detail

DWG NAME  
 ASPIRE

DATE  
 12/7/2018

SHEET  
 PAGE 1 OF 1



**APPROVED**

These drawings, concepts, and details contained herein are the original proprietary designs of **NESPA ENTERPRISES INC.**, developed over many years of experience in the industry and as such are protected by the copyright laws of the United States Government. Reproduction of any of the above without written permission to do so by **NESPA ENTERPRISES INC.**, is illegal

**NESPA ENTERPRISES INC.**  
 2800 Richter Ave. Ste. C Oroville, CA 95966  
 Office: (530) 534-9910 Fax: (530) 534-9915  
 E-Mail: [jim@tiledspas.com](mailto:jim@tiledspas.com) Web Site: [www.tiledspas.com](http://www.tiledspas.com)



If printing as a PDF:

Page Scaling:

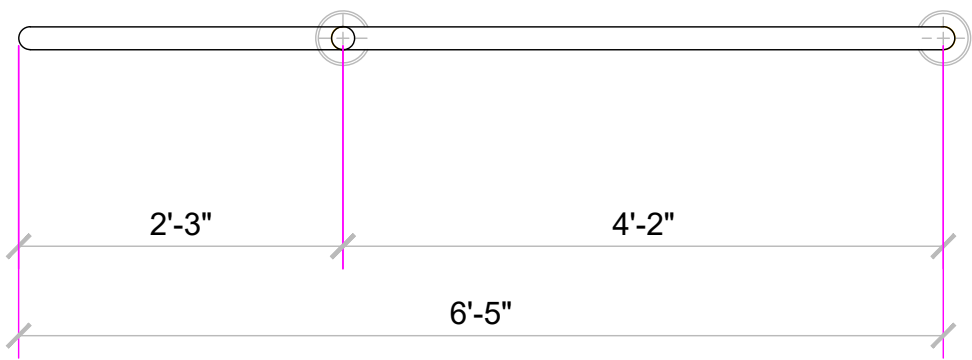
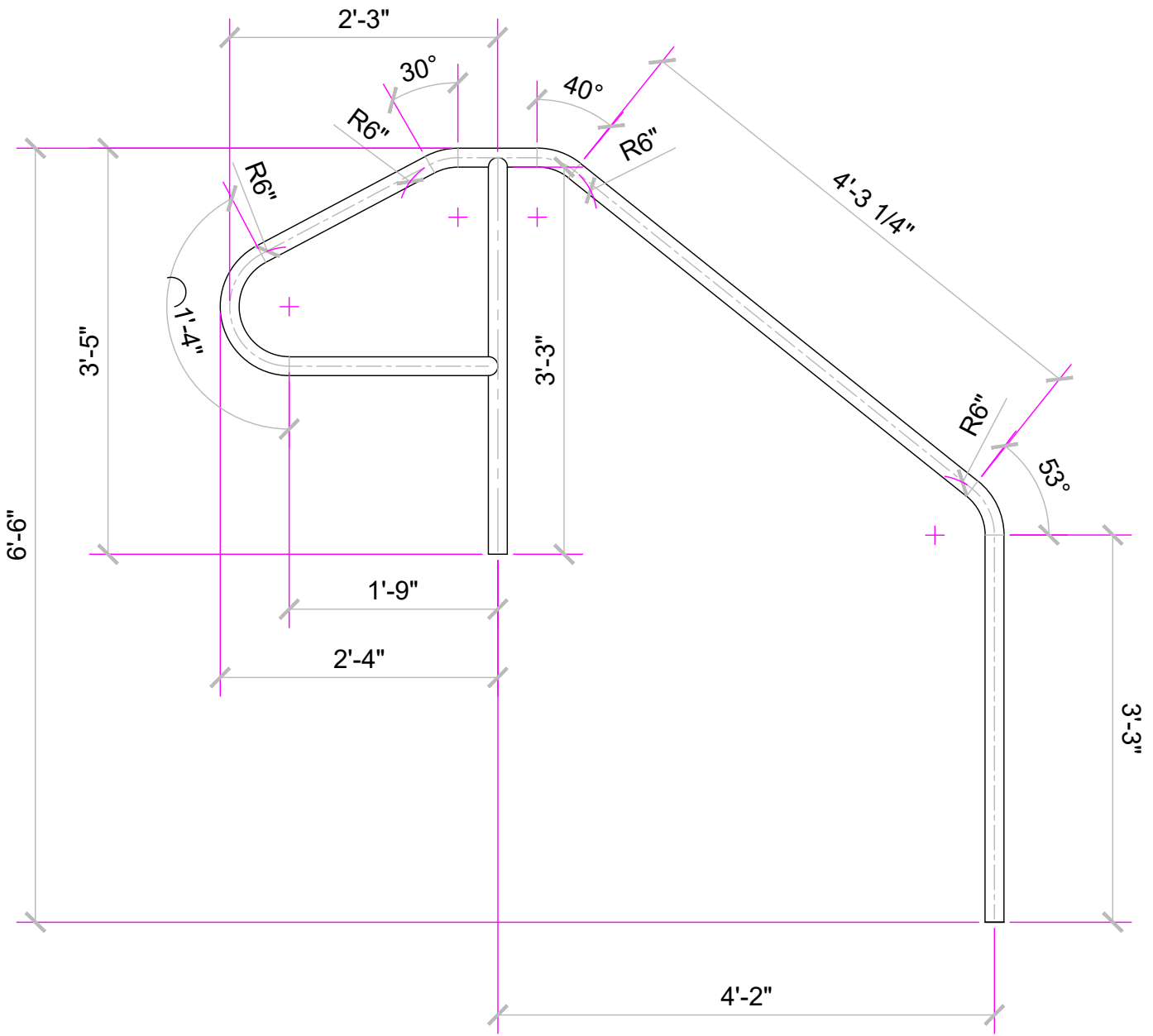
SCALE  
 3/4" = 1'



DWG NAME  
 ASPIRE

DATE  
 10/17/2018

DWG TYPE  
 Pool Handrail Detail  
 SHEET  
 PAGE 9 OF 9



**POOL DATA:**

Surface Area: 177.3 sqft  
 Travel Distance: 3.6ft  
 Turnover: 1.5 hours  
 Distribution Flow Rate: 40 gpm  
 Filter area: 3.1 Sq.Ft.  
 Filter rate: 13 gpm/sqft.

**POOL FITTINGS: (See Spa Drawing Submittal)**

Bottom Drain: 2 each  
 Skimmer: 3 each  
 Return Inlets: 4 each

**SPA DATA:**

Surface Area: 151.1 sqft  
 Total Gallons: 3640  
 Turnover: < 30 minutes  
 Distribution Flow Rate: 30 gpm  
 Filter area: 7.5 Sq.Ft.  
 Filter rate: 18.5 gpm/sqft

**SPA FITTINGS: (See Spa Drawing Submittal)**

Bottom Drain: 2 each  
 Skimmer: 3 each  
 Return Inlets: 4 each  
 Jet Station wall suction gater: 4 each  
 Jet Return: 15 each

**LEGEND:**

TUBV- True-Union Ball Valve  
 OH- Overhead Plumbing  
 BV- Butterfly Valve

**MECHANICAL ROOM NOTES:**

- Provide 200 square inches of louvered vent for combustible air source for heater.
- Provide gas line per manufacturer specifications. Install with sediment trap, gas cock and union.
- Anchor all equipment per manufacturer specifications.
- Install all plumbing on the horizontal and vertical planes.
- Support all plumbing with Superstrut supports and hangers.
- Label all valves and plumbing. Install direction of flow arrows on plumbing.
- Install new 1" pool and spa fill line via low voltage solenoid controlled by Leveler level control. Connect to approved back-flow prevention device.
- Provide 1" conduit to "water closet" for low voltage sensor.
- Provide 1" conduit for the pool and spa lights.
- All equipment shall be NSF and UL listed as appropriate.
- Connect all electrical equipment to GFCI circuits.
- Use PVC, schedule 40 PVC unless otherwise directed in details.
- Use Type III, Stainless steel vent for heater flue. Install to exterior of building per code or 3" double wall vent.
- Gas supply line to be no less than 1 1/2" to mechanical.
- Install no more than 10' of 1" gas line to each heater. Install with sediment trap, union and gas valve for each heater. All other gas line shall be 1".
- Provide no less than 100 sq. in. of open vent for exterior combustible air or provide dedicated 3" air supply from exterior of room. Install per manufacturer's directions.
- Provide 2" air gap to backwash discharge standpipe.

**Pool & Spa Mechanical Room**

**Pool Plumbing Velocity Calculations:**

Included Flow Rate for 1.5 hour turnover: 40GPM  
 Return Inlet: 400000 ft<sup>2</sup> / 400000 ft<sup>2</sup> = 1.0 ft/sec  
 Multiplier for pump: 400000 ft<sup>2</sup> / 300000 ft<sup>2</sup> = 1.33 ft/sec

Skimmer: 400000 ft<sup>2</sup> / 400000 ft<sup>2</sup> = 1.0 ft/sec  
 Multiplier for pump: 400000 ft<sup>2</sup> / 300000 ft<sup>2</sup> = 1.33 ft/sec  
 Inlet from skimmer: 400000 ft<sup>2</sup> / 300000 ft<sup>2</sup> = 1.33 ft/sec

Return Plumbing: 400000 ft<sup>2</sup> / 400000 ft<sup>2</sup> = 1.0 ft/sec  
 Multiplier for pump: 400000 ft<sup>2</sup> / 300000 ft<sup>2</sup> = 1.33 ft/sec  
 Inlet from return: 400000 ft<sup>2</sup> / 300000 ft<sup>2</sup> = 1.33 ft/sec

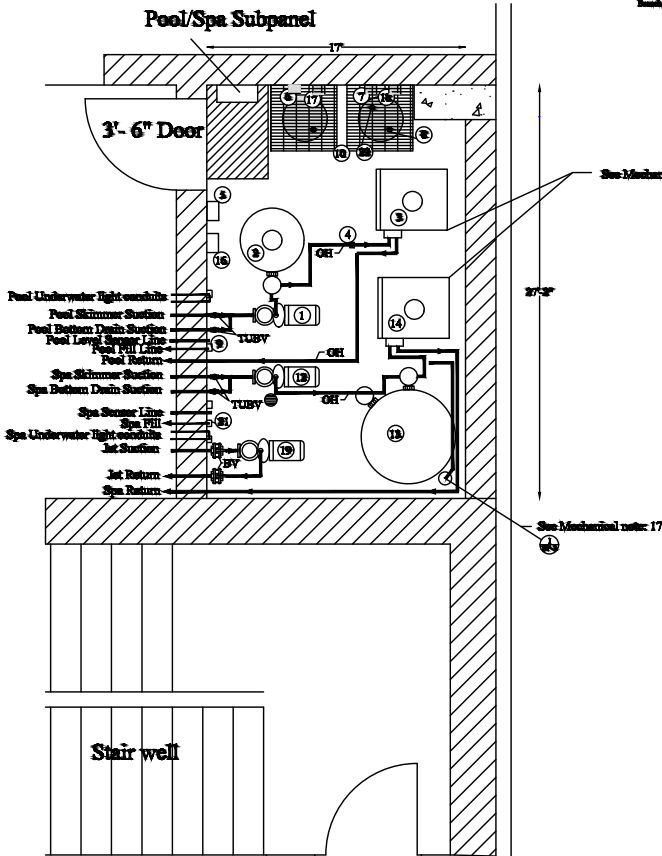
**Spa Plumbing Velocity Calculations:**

Included Flow Rate for 1.5 hour turnover: 30GPM  
 Return Inlet: 300000 ft<sup>2</sup> / 300000 ft<sup>2</sup> = 1.0 ft/sec  
 Multiplier for pump: 300000 ft<sup>2</sup> / 200000 ft<sup>2</sup> = 1.5 ft/sec

Skimmer: 300000 ft<sup>2</sup> / 300000 ft<sup>2</sup> = 1.0 ft/sec  
 Multiplier for pump: 300000 ft<sup>2</sup> / 200000 ft<sup>2</sup> = 1.5 ft/sec  
 Inlet from skimmer: 300000 ft<sup>2</sup> / 200000 ft<sup>2</sup> = 1.5 ft/sec

Return Plumbing: 300000 ft<sup>2</sup> / 300000 ft<sup>2</sup> = 1.0 ft/sec  
 Multiplier for pump: 300000 ft<sup>2</sup> / 200000 ft<sup>2</sup> = 1.5 ft/sec  
 Inlet from return: 300000 ft<sup>2</sup> / 200000 ft<sup>2</sup> = 1.5 ft/sec

Jet Pump Plumbing: 300000 ft<sup>2</sup> / 300000 ft<sup>2</sup> = 1.0 ft/sec  
 Multiplier for pump: 300000 ft<sup>2</sup> / 200000 ft<sup>2</sup> = 1.5 ft/sec  
 Inlet from jet pump: 300000 ft<sup>2</sup> / 200000 ft<sup>2</sup> = 1.5 ft/sec



**Pool Mechanical Equipment Schedule:**

Item #	Equipment Description	Manufacturer Model #	Quantity	Power / HP	Comments
1	Minimization Pump	Venturi, Whisper WPS-4	1	1 PH, 200 V / 1 HP	Install with trap, isolation valve and vacuum gauge. 40 GPM @ 65 TDI
2	High-Static Sand Filter	Paratic, TR-140C	1	NA	Install with multiport backwash valve and ballfloat/effluent pressure gauge. 200 GPM @ 21.4 TDI
3	Heater	Rayspak	1	180 / 200 V	Gas to be 1" in width 48" of heater. Install the gas controls. ASHRAE, UL & NSF Disconnections.
4	Flow Meter	Flow/Via	1	NA	
5	Chemical Controller	HQS, 5000	1	180 V	Don't GFCI and ground, white cell, three cables, tubing and fitting package, in-line station. Check the chemical acid balance.
6	Chlorinator	Stenner 45M5	1	180 V	Replaces power from Chemical Controller. 10 - 50 GPD capacity.
7	Amit Heater	Stenner 45M5	1	180 V	Replaces power from Chemical Controller. 10 - 50 GPD capacity.
8	Amit Vapor Control	Vaporshield 373	1	NA	3/4" tubing connection.
9	Leveler	Leveler	1	1 Phase, 180 v	Control in low voltage room and 1" low voltage solenoid valve with approved back flow prevention device. Set sensor in water closet adjacent spa with Dual III One Air Collector, One Air vent. Shared by pool and spa.
10	Chemical Inlet	Engle, 90" x 90"	2	NA	

**Spa Mechanical Equipment Schedule:**

Item #	Equipment Description	Manufacturer Model #	Quantity	Power / HP	Comments
11	Minimization Pump	Venturi, Whisper WPS-4	1	2 HP, 200 V	Install with trap, isolation valve and vacuum gauge. 30 GPM @ 65 TDI
12	High-Static Sand Filter	Paratic, TR-140C	1	NA	Install with multiport backwash valve and ballfloat/effluent pressure gauge. 200 GPM @ 21.4 TDI
13	Heater	Rayspak	1	180 / 200 V	Gas to be 1" in width 48" of heater. Install the gas controls. ASHRAE, UL & NSF Disconnections.
14	Flow Meter	Flow/Via	1	NA	
15	Chemical Controller	HQS, 5000	1	180 V	Don't GFCI and ground, white cell, three cables, tubing and fitting package, in-line station. Check the chemical acid balance.
16	Chlorinator	Stenner 45M5	1	180 V	Replaces power from Chemical Controller. 10 - 50 GPD capacity.
17	Amit Heater	Stenner 45M5	1	180 V	Replaces power from Chemical Controller. 10 - 50 GPD capacity.
18	Jet Head Pump	Venturi, Whisper WPS-12	1	3 Phase, 200 V / 3 HP	Install with trap, isolation valve and vacuum gauge. Check the vacuum gauge shut off at Spa. 170 GPM @ 20 TDI
19	High-Static Sand Filter	Paratic, TR-140C	1	Low Voltage	Install with multiport backwash valve and ballfloat/effluent pressure gauge. Gas to be 1" in width 48" of heater. Install the gas controls. ASHRAE, UL & NSF Disconnections.
20	Leveler	Leveler	1	1 Phase, 180 v	Control in low voltage room and 1" low voltage solenoid valve with approved back flow prevention device. Set sensor in water closet adjacent spa with Dual III One Air Collector, One Air vent. Shared by pool and spa.
21	Amit Vapor Control	Vaporshield 373	1	NA	3/4" tubing connection.

**APPROVED**

These drawings, concepts, and details contained herein are the original proprietary designs of **NESPA ENTERPRISES INC.**, developed over many years of experience in the industry and as such are protected by the copyright laws of the United States Government. Reproduction of any of the above without written permission to do so by **NESPA ENTERPRISES INC.**, is illegal.

**NESPA ENTERPRISES INC.**  
 2800 Richter Ave. Ste. C Oroville, CA 95966  
 Office: (530) 534-9910 Fax: (530) 534-9915  
 E-Mail: [jim@tiledspas.com](mailto:jim@tiledspas.com) Web Site: [www.tiledspas.com](http://www.tiledspas.com)



If printing as a PDF:  
 Page Scaling: None  
 DWG NAME: ASPIRE

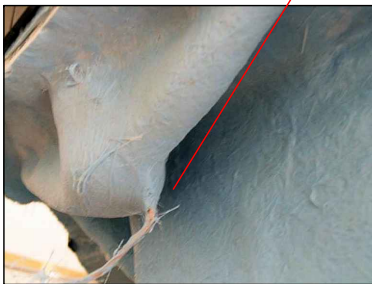
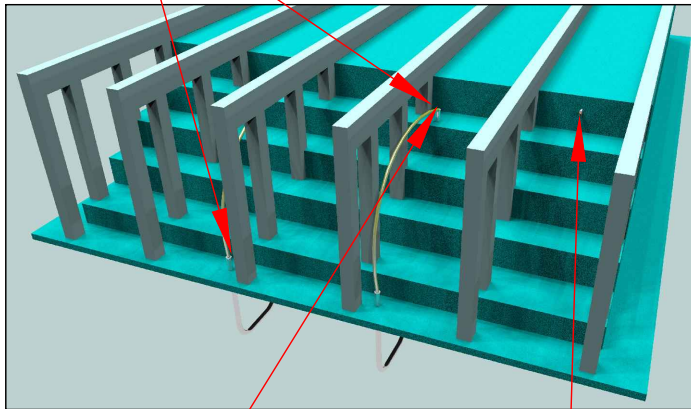
SCALE: N/A  
 DATE: 9/10/2018

DWG TYPE: Mechanical Layout  
 SHEET: PAGE 1 OF 1

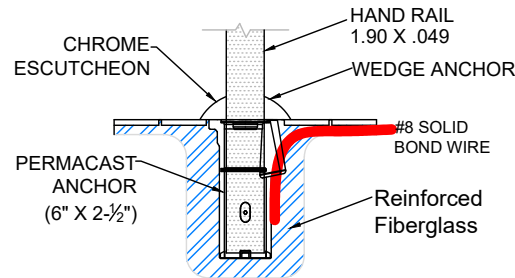
# BONDING DETAIL



Typical Cup Anchor



## TYPICAL NESPA SHELL CUP Anchor Installation



**NOTE:**

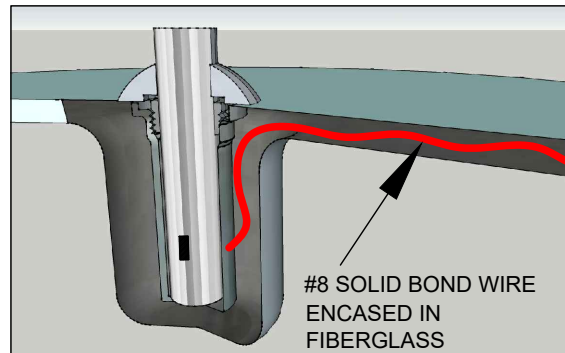
DETAIL REFLECTS ANCHOR INSTALLATION IN NESPA SHELLS ONLY.

CUP ANCHOR SHALL BE BONDED WITH A SOLID #8 COPPER BOND WIRE AND VERIFIED BY A CALIFORNIA LICENSED ELECTRICAL CONTRACTOR.

BOND WIRE WILL BE ENCASED AND COVERED IN FIBERGLASS TO PREVENT WATER LEAKAGE THRU SHELL.

BOND WIRE SHALL EXIT AT EDGE OF SPA AND ATTACH TO DECK BONDING GRID.

### 1 Anchor Detail



Swimming Pool Products

1871 Aspen Circle • Pueblo, Colorado 81006 • Phone 719 544 9544

## PS-6019-BC 6 Inch Big Boy Socket

Parts List	
QTY	Description
1	PS-6019-BC Socket Bronze
1	PW-4C Wedge
1	Stainless Steel Washer
1	5/16-18 X 1-3/4" SS Bolt
1	10-24 x 3/8" Brass Screw

- 6" Deep Socket
- Accommodates 1.90" OD Tubing
- Uses PW-4C Wedge
- Includes Wedge, Washer, Bolt and Bonding Screw

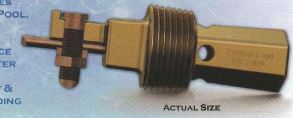
## POOLBOND By Permacast

THE 2008 NATIONAL ELECTRICAL CODE (NEC) REQUIRES THAT AN INTENTIONAL ELECTRICAL BOND BE MADE TO THE POOL WATER. THIS REQUIREMENT IS SPELLED OUT IN SECTION 680.26(C) OF THE NEC. THIS REQUIREMENT COVERS BOTH INGROUND AND ABOVE GROUND POOLS, SPAS, AND FOUNTAINS.

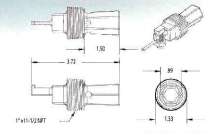
PASS ELECTRICAL INSPECTION WITH POOLBOND

### POOLBOND PB-2008

- PREMIUM CORROSION RESISTANT BRONZE CASTING
- 1" MALE PIPE THREADS PROVIDES DIRECT INSTALLATION TO YOUR POOL, SPA, AND FOUNTAIN PLUMBING
- 10.5 SQUARE INCHES OF SURFACE AREA CONTACTS THE POOL WATER
- SPLIT BOLT LUG PROVIDES EASY & RELIABLE CONNECTION TO BONDING WIRE



ACTUAL SIZE



PATENT PENDING

Available Through Distribution Nationwide

1871 Aspen Circle • Pueblo, Colorado 81006 • Phone 800-748-2770 • Fax 719-544-3106  
Visit Us At [www.permacastonline.com](http://www.permacastonline.com)

These drawings, concepts, and details contained herein are the original proprietary designs of **NESPA ENTERPRISES INC.**, developed over many years of experience in the industry and as such are protected by the copyright laws of the United States Government. Reproduction of any of the above without written permission to do so by **NESPA ENTERPRISES INC.**, is illegal

**NESPA ENTERPRISES INC.**  
2800 Richter Ave. Ste. C Oroville, CA 95966  
Office: (530) 534-9910 Fax: (530) 534-9915  
E-Mail: [jim@tiledspas.com](mailto:jim@tiledspas.com) Web Site: [www.tiledspas.com](http://www.tiledspas.com)

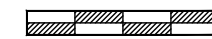


If printing as a PDF:

Page Scaling:

DWG NAME ASPIRE

SCALE  
N/A



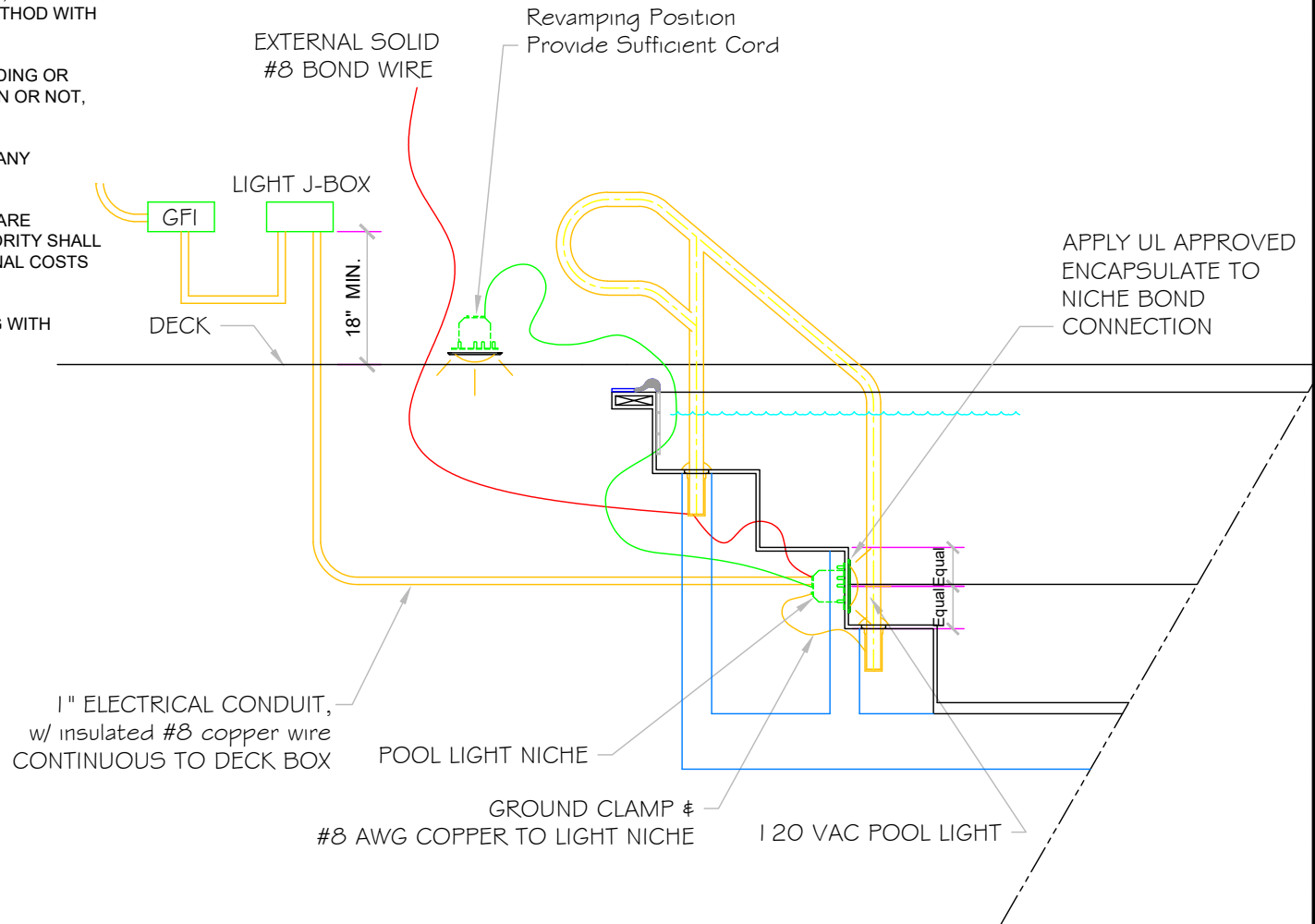
DATE  
3/12/2018

DWG TYPE  
Bonding Detail  
SHEET  
PAGE 1 OF 1

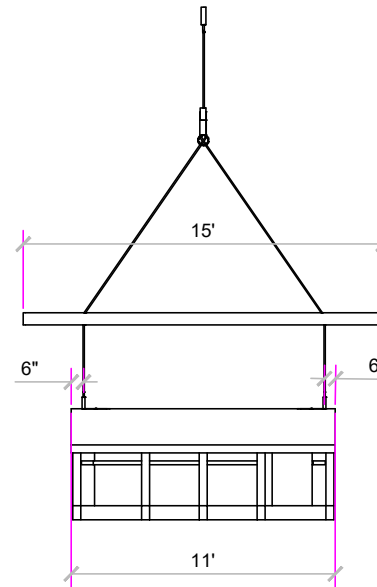
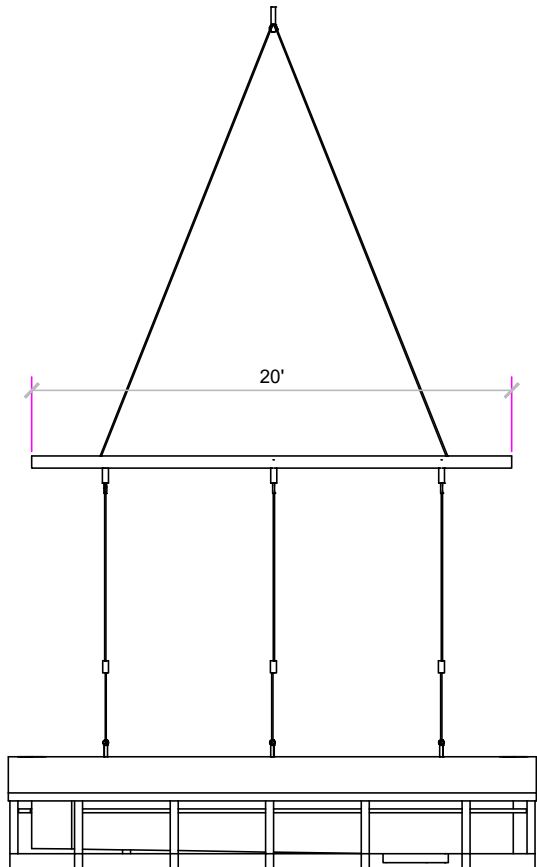
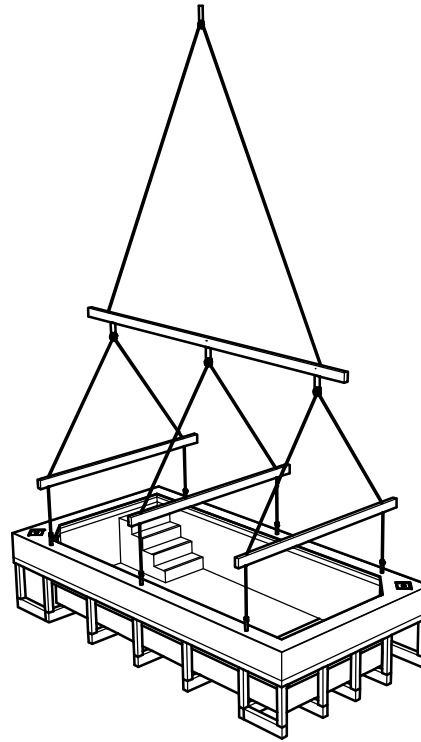
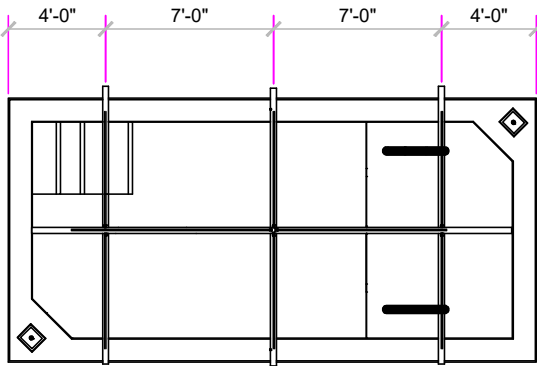
# POOL BONDING REQUIREMENTS:

1. THE FOLLOWING PARTS SHALL BE BONDED TOGETHER AND CONNECTED TO THE COMMON BONDING GRID.
  - A. ALL THE METALLIC PARTS OF THE POOL STRUCTURE INCLUDING COPING STONES, DECK, PERMANENT PLAY STRUCTURES, PERMANENT EXERCISE STRUCTURES.
  - B. ALL METAL FITTINGS WITHIN OR ATTACHED TO THE POOL STRUCTURE
  - C. METAL PARTS ASSOCIATED WITH THE POOL WATER CIRCULATING SYSTEM, INCLUDING PUMPS, FILTERS, AND HEATERS.
  - D. METAL PARTS ASSOCIATED WITH POOL COVERS
  - E. METAL SHEATHED CABLES AND RACEWAYS, METAL PIPING AND ALL FIXED METAL PARTS WITHIN 5 FEET HORIZONTALLY OF INSIDE WALLS OF POOL AND WITHIN 12 FEET ABOVE MAXIMUM WATER LEVEL OF POOL.
  - F. METAL PARTS ASSOCIATED WITH OBSERVATION STANDS, TOWERS, PLATFORMS, AND DIVING STRUCTURES.
2. BONDING CONDUCTORS SHALL BE MINIMUM #8 SOLID COPPER, INSULATED E.C. SHALL COORDINATE APPROVED CONNECTOR TYPE AND METHOD WITH LOCAL ELECTRICAL AND/ OR POOL INSPECTOR.
3. SPECIFIC MANUFACTURER'S INSTRUCTIONS REGARDING BONDING OR GROUNDING OF POOL EQUIPMENT, WHETHER INDICATED HEREIN OR NOT, SHALL BE STRICTLY FOLLOWED.
4. THE COMMON BONDING GRID SHALL NOT BE CONNECTED TO ANY ELECTRICAL DISTRIBUTION EQUIPMENT.
5. ANY PARTS IN ADDITION TO THOSE DESCRIBED HEREIN THAT ARE INDICATED BY POOL CONTRACTOR OR LOCAL INSPECTION AUTHORITY SHALL BE BONDED TO THE COMMON BONDING GRID WITH NO ADDITIONAL COSTS INCURRED BY THE OWNER.
6. THE ELECTRICAL CONTRACTOR SHALL COORDINATE BONDING WITH GENERAL CONTRACTOR.

# LIGHT DETAIL

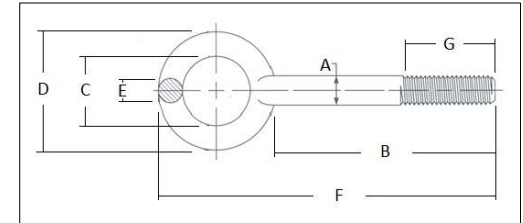






**Forged Eye Bolt, Plain Pattern, (includes nut), Hot Dip Galvanized**

The information below lists the required dimensional, chemical and physical characteristics of the products in this purchase order. If the order received does not meet these requirements, it may result in a supplier corrective action request, which could jeopardize your status as an approved vendor. Unless otherwise specified, all referenced consensus standards must be adhered to in their entirety.



Normal Size	A Shank Diameter		B Shank length		C Eye ID		D Eye OD	E Eye Section Diameter		F OAL		G Thread Length	Working Load Limit (lb)
	Max.	Min.	Max.	Min.	Max.	Min.	Nom.	Max.	Min.	Max.	Min.	Min.	Max.
3/4 x 6	0.82	0.73	6.12	5.88	1.54	1.48	2.99	0.79	0.71	9.31	9.07	2.99	5200

**Specification Requirements:**

- Dimensions: See Table Above
- Material: Carbon Steel per ASTM A489
- Thread Requirements: ASME B1.1 UNC & UNRC, Class 1A before coating.
- Marking: Country or Origin, Manufacturer's ID and WLL
- Finish: Hot Dipped Galvanized per ASTM A153 Class B1 or F2329

These drawings, concepts, and details contained herein are the original proprietary designs of **NESPA ENTERPRISES INC.**, developed over many years of experience in the industry and as such are protected by the copyright laws of the United States Government. Reproduction of any of the above without written permission to do so by **NESPA ENTERPRISES INC.**, is illegal

**NESPA ENTERPRISES INC.**  
 2800 Richter Ave. Ste. C Oroville, CA 95966  
 Office: (530) 534-9910 Fax: (530) 534-9915  
 E-Mail: [jim@tiledspas.com](mailto:jim@tiledspas.com) Web Site: [www.tiledspas.com](http://www.tiledspas.com)

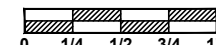


**If printing as a PDF:**

Page Scaling:

DWG NAME **ASPIRE**

SCALE  
 1/8" = 1'



DATE  
 10/31/2018

DWG TYPE  
 Lift Detail  
 SHEET  
 PAGE 1 OF 1

# STANDARD NESPA IN-GROUND INSTALLATION INSTRUCTIONS **SET-UP AND EXCAVATION**

**Prerequisites:** Before installing your Nespa spa. You may be required to acquire a permit from your local State, County, and City building dept and or Health department. (Commercial jobs need Health Dept. Approval). Your spa installation must comply with the most current codes. ( **Uniform Swimming Pool, Spas & Hot Tub Code 2006 ( USPC 2006)**).

**Spa drawings:** Request from Nespa a current spa specific construction detail, plan and section, spa plumbing detail.

**Delivery Access:** Clearly determine the method of getting the spa to jobsite and into the hole. This may require the use of a crane, forklift, hoist, backhoe and/or manpower etc.

- 1) The following instructions are general guidelines and may not apply to your specific jobsite conditions. When excavating for your spa remember to provide for plumbing and light connection clearances. In order to determine how to excavate for your spa or swim spa, measure spas outside dimension ( O.D.) and add minimum 3” to all sides. This 3” clearance is to accommodate jet and suction plumbing. This 3” clearance can change or be reduced upon request. Note: skimmer location, this area may have to be larger than 3”, if commercial 22”.
- 2) **Freeze Climates-** If the spa is place into a vault (typical of freeze climates) a standard 18” or more of clearance minimum from spa perimeter should be provided. This dead air space is for possible future access to spa plumbing in case of a freeze. Area drain is mandatory. **Ask your local installer** for his experienced opinion. Do not hesitate to call us because we want to be sure that your installation progresses as smoothly as possible. If you have questions call us. (888) 479-4677.
- 2) **Hole depth** is determined by spa’s outside height dimension. This height may vary depending if spa has skids or no skids. The spa lip may be finished or non- finished. How is the perimeter deck elevation transitioning to the spa? Focus on the finish surrounding deck elevations, thickness of the finish material on spa upper horizontal lip, equal to lip or under the spa lip. This material can be tile, stone, concrete or brick.
- 3) **Preplumb** the spa before it goes into the hole. If there are needs for electrical , bonding or control conduits run them as well before dropping in hole. Connect bond wire to niche would be best.
- 4) **Spa should sit on level 3 ½” thick reinforced concrete pad. Sweep debris off pad prior to dropping in hole.**
- 5) **Install spa** into the hole on top of concrete pad. Use the Eye bolts provided for crane, forklift etc. rigging. Do not hold onto pipes. Use caution with suction and jet plumbing when lowering into hole. **DO NOT STRESS FITTINGS!** Fill Spa with water and check for leaks prior to backfill.

- 6) **Check site reference** points for proper spa positioning (i.e., squaring to house, garage, etc.).
- 7) **Shim to level spa.** Shim with non-compression able material. Re square to house, or ref. point.
- 8) **Dry pack** with cement the gaps that have been created when shimming spa level.
- 9) **Connect pipes to tees** if spa is preplumb. Installers properly support your new plumbing from stressing spas preplumb fittings. After electrical conduit and bond wire is connected to light niche, water test spa before back filling with sand.  
**NOTE: All Nespa products are water tested prior to leaving factory.**

### **ELECTRICAL:**

- 1) All electrical connections to spa or equipment should comply with the most recent national electrical code (NEC), state and local codes.
- 2) Connect electrical conduit to light niche. This work should be done or reviewed by a licensed electrician.
- 3) To install spa light you will need to include inside the PVC conduit to the light niche a solid #8 coated copper wire. (If you are use brass conduit, internal bond wire is not required.) This bond wire should be pulled with the light cord at the same time. This bond wire needs to be attached to the internal bonding lug of the light niche. An approved encapsulate should be applied to bond wire connection in niche.
- 4) An external #8 copper wire shall be connected to the external bonding lug on the rear of the light niche. This copper wire can then be used for additional bonding requirements (i.e., handrails or any other metallic object within 5' of the spa.

### **PLUMBING:**

- 1) **When plumbing a Nespa it is important to properly size the plumbing. We highly recommend that you follow the pump manufacturer's pipe sizing requirements and Uniform Swimming Pool, Spas & Hot Tub Code 2006 ( USPC 2006). This code book is available at [www.IAPMO.org](http://www.IAPMO.org) or (909) 472 4100.**
- 2) The jet air venturi should be a Hartford loop design adjacent to spa shell and air entry point can be located next to spa or remotely at equipment.
- 3) Fill spa with water and test the system for leaks PRIOR to backfilling with sand.

### **SAND BACK FILL:**

- 1) **With water in spa, back-fill around spa perimeter with dry plaster sand and wet wash with hydraulic attachment to hose. Let set for one hour and hydraulic dry again. Be sure water level in spa is at the highest level. Any questions please call us. ( 888) 479-4677.**
- 2) **If spa is free standing on elevated deck or a structure, it is important to fill spa with water and load area prior to installing coping or perimeter decking. If spa is installed in a vault situation a area drain is needed.**

**NESPA ENTERPRISES INC.**

2800 Richter Ave. Suite E

Oroville, CA 95966

Office: (888) 479-4677 Fax: (530) 534-9915

E-Mail: nespa@pacbell.net www.tiledspas.com

**IN-GROUND**

**INSTALLATION**

\*ALL DIMENSIONS SUBJECT TO 1/4" TOLERANCES\*

SCALE: 1/2" = 1'-0"

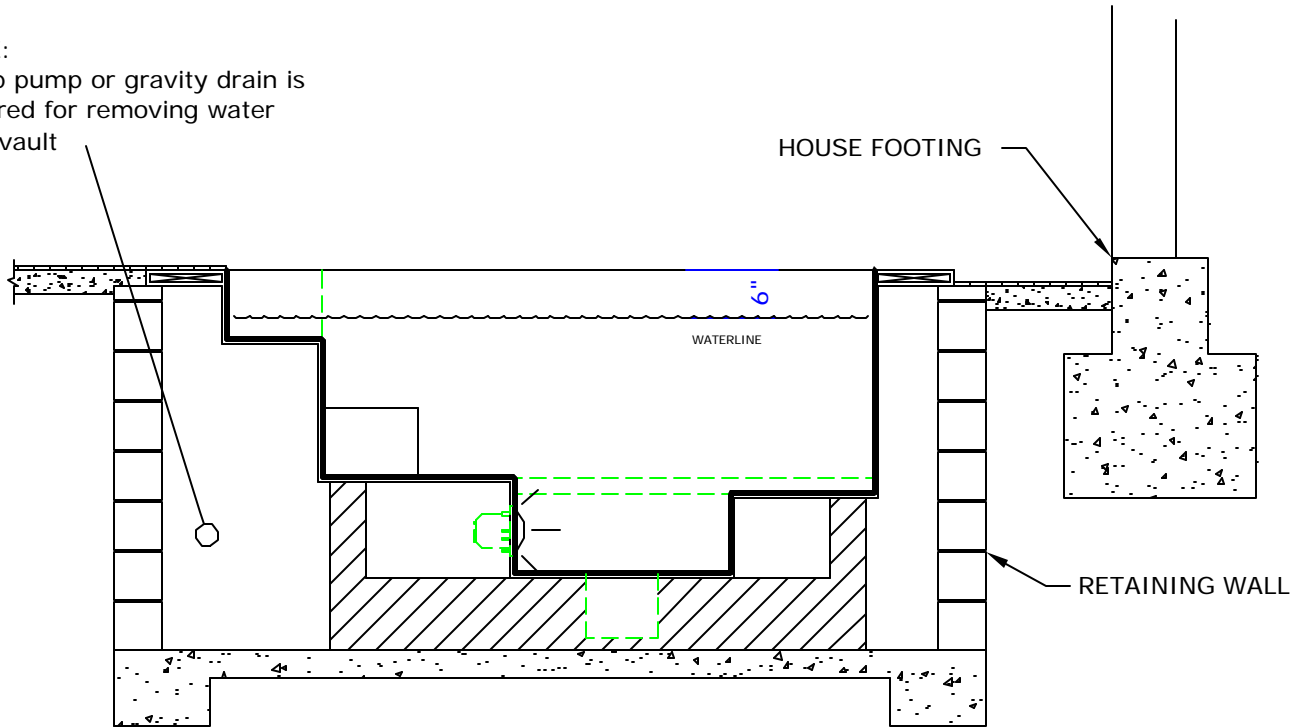
DATE: 3/27/02

JOB : STANDARD INSTALL

DW #: SI-1, SI-2

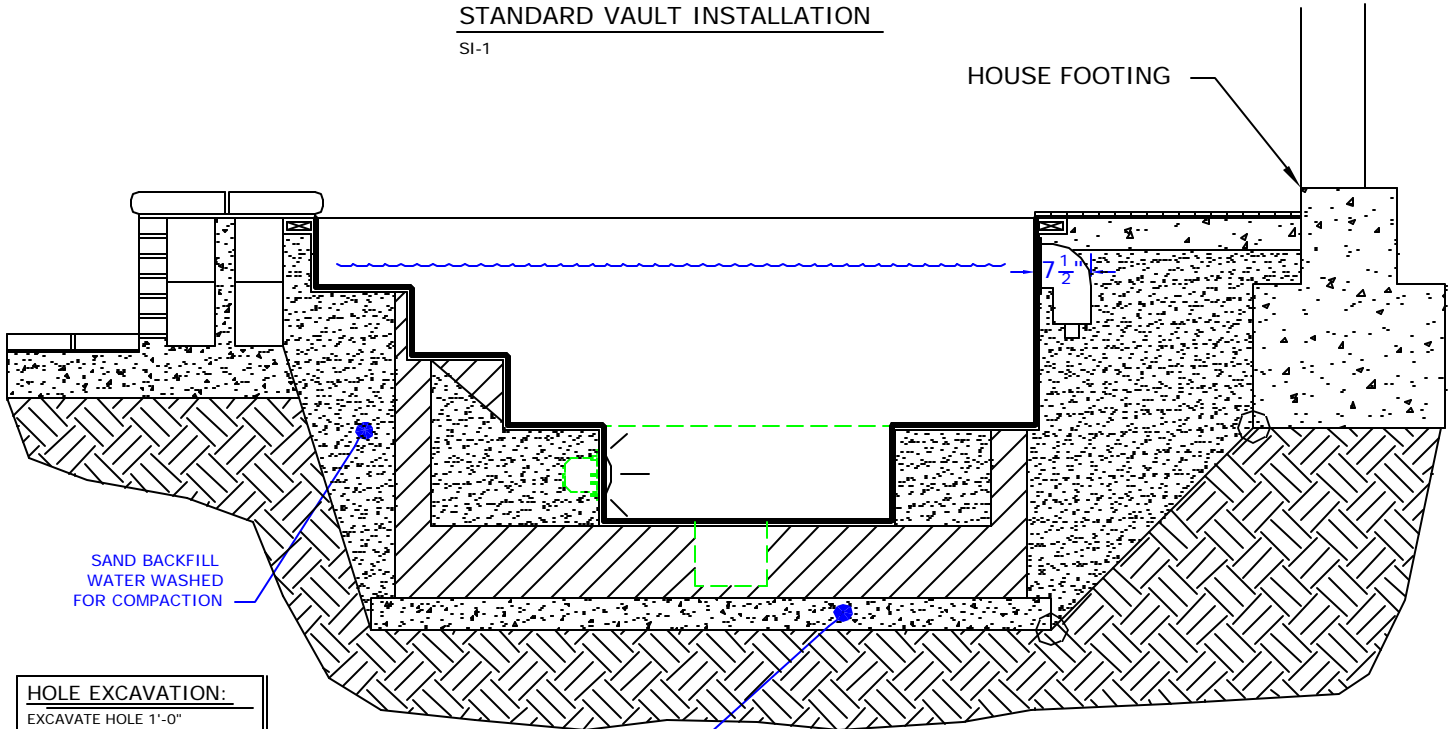
**NOTE:**

Sump pump or gravity drain is required for removing water from vault



**STANDARD VAULT INSTALLATION**

SI-1



**HOLE EXCAVATION:**  
EXCAVATE HOLE 1'-0"  
LARGER THAN THE OUTSIDE  
DIAMETER (OD) OF SPA

4" CONCRETE SLAB  
REINFORCED WITH  
#10 MESH

**STANDARD INGROUND INSTALLATION**

SI-2

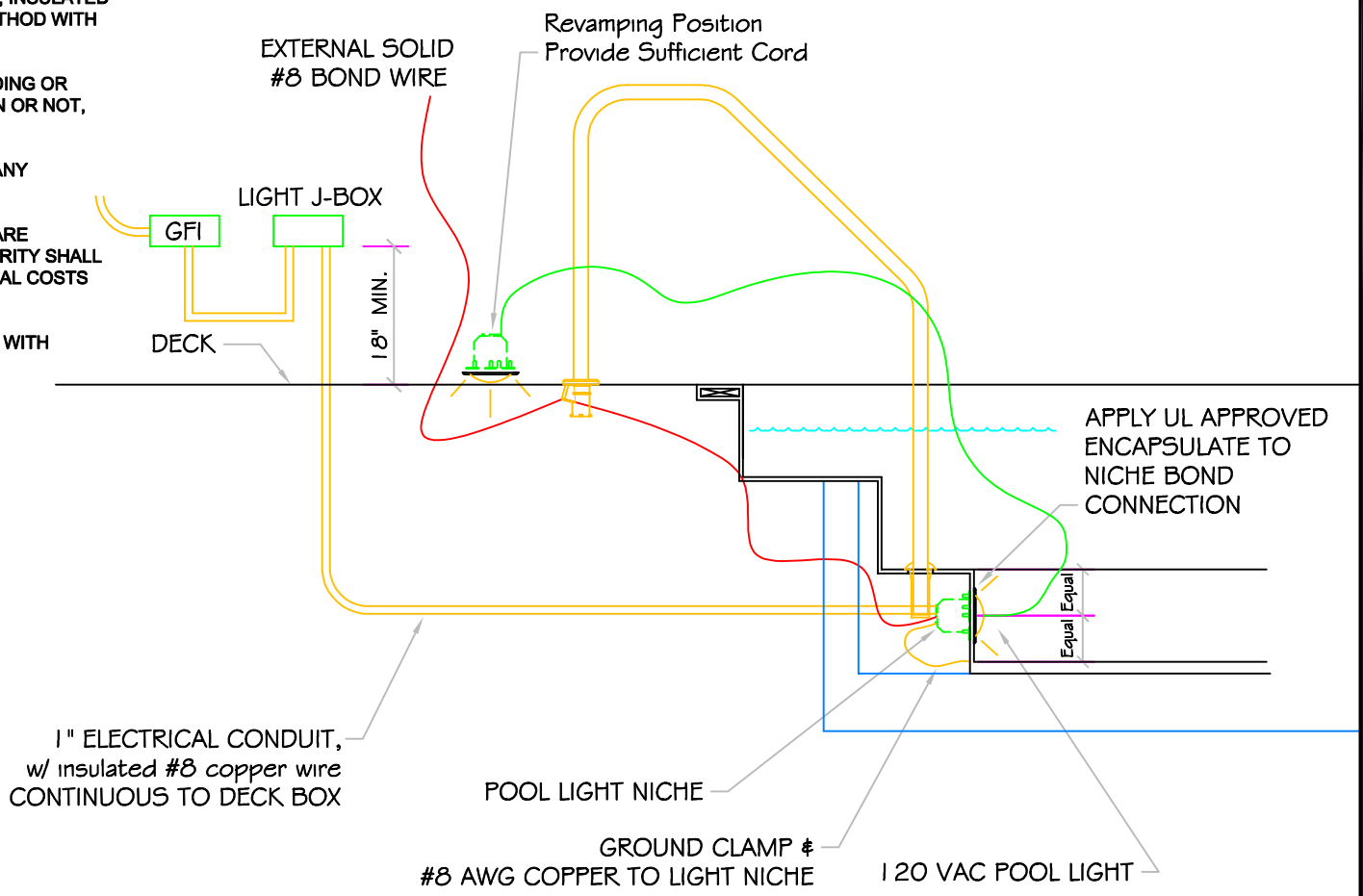
**NOTE:**

Footing can not surcharge spa.  
Slope from bottom of slab to  
nearest corner of house footing  
must not exceed 1" = 1".

# POOL BONDING REQUIREMENTS:

1. THE FOLLOWING PARTS SHALL BE BONDED TOGETHER AND CONNECTED TO THE COMMON BONDING GRID.
  - A. ALL THE METALLIC PARTS OF THE POOL STRUCTURE INCLUDING COPING STONES, DECK, PERMANENT PLAY STRUCTURES, PERMANENT EXERCISE STRUCTURES.
  - B. ALL METAL FITTINGS WITHIN OR ATTACHED TO THE POOL STRUCTURE
  - C. METAL PARTS ASSOCIATED WITH THE POOL WATER CIRCULATING SYSTEM, INCLUDING PUMPS, FILTERS, AND HEATERS.
  - D. METAL PARTS ASSOCIATED WITH POOL COVERS
  - E. METAL SHEATHED CABLES AND RACEWAYS, METAL PIPING AND ALL FIXED METAL PARTS WITHIN 5 FEET HORIZONTALLY OF INSIDE WALLS OF POOL AND WITHIN 12 FEET ABOVE MAXIMUM WATER LEVEL OF POOL.
  - F. METAL PARTS ASSOCIATED WITH OBSERVATION STANDS, TOWERS, PLATFORMS, AND DIVING STRUCTURES.
2. BONDING CONDUCTORS SHALL BE MINIMUM #8 SOLID COPPER, INSULATED E.C. SHALL COORDINATE APPROVED CONNECTOR TYPE AND METHOD WITH LOCAL ELECTRICAL AND/ OR POOL INSPECTOR.
3. SPECIFIC MANUFACTURER'S INSTRUCTIONS REGARDING BONDING OR GROUNDING OF POOL EQUIPMENT, WHETHER INDICATED HEREIN OR NOT, SHALL BE STRICTLY FOLLOWED.
4. THE COMMON BONDING GRID SHALL NOT BE CONNECTED TO ANY ELECTRICAL DISTRIBUTION EQUIPMENT.
5. ANY PARTS IN ADDITION TO THOSE DESCRIBED HEREIN THAT ARE INDICATED BY POOL CONTRACTOR OR LOCAL INSPECTION AUTHORITY SHALL BE BONDED TO THE COMMON BONDING GRID WITH NO ADDITIONAL COSTS INCURRED BY THE OWNER.
6. THE ELECTRICAL CONTRACTOR SHALL COORDINATE BONDING WITH GENERAL CONTRACTOR.

# LIGHT DETAIL



\*ALL DIMENSIONS SUBJECT TO 1/4" TOLERANCES\*

These drawings, concepts, and details contained herein are the original proprietary designs of NESPA ENTERPRISES, developed over many years of experience in the pool and spa industry and as such are protected by the copyright laws of the United States Government. Reproduction of any of the above without written permission to do so by NESPA ENTERPRISES, is illegal.

**NESPA ENTERPRISES INC.**  
 2800 Richter Ave. Ste. C Oroville, CA 95966  
 Office: (530) 534-9910 Fax: (530) 534-9915  
 E-Mail: [sales@tiledspas.com](mailto:sales@tiledspas.com) Web Site: [www.tiledspas.com](http://www.tiledspas.com)



SIZE A	DWG NAME DETAILS	DWG TYPE Detail
SCALE 1/2" = 1'	DATE 7/24/2008	SHEET PAGE 1 OF 1

## **NESPA ENTERPRISES, Inc. LIMITED WARRANTY**

**This LIMITED WARRANTY covering NESPA products is extended to the ORIGINAL PURCHASER-USER BY NESPA ENTERPRISES Inc.(NESPA), 2800 Richter Ave. Unit C California 95966.**

**NESPA products are thoroughly inspected and tested prior to factory shipment. NESPA warrants to the ORIGINAL PURCHASER-USER that NESPA Spas and Swim Spas will be free of defect in workmanship, accessories and parts, provided said accessories and parts were manufactured by NESPA. NESPA, under this LIMITED WARRANTY, warrants only that its Spas and Swim Spas shall be structurally sound, shall retain their shape, and shall retain water for the warranty period. NESPA warrants the adhesion of tile to fiberglass for a period of three (3) years and structural soundness for ten (10) years. NESPA warrants epoxy grout adhesion for a period of three years. If any such defects appear and are reported within the warranty period, NESPA shall repair or replace such defective parts without charge if an inspection proves the claim.**

**The provisions of the LIMITED WARRANTY shall not apply to tile cracked, split, chipped or damaged after the product has left the factory, nor damage to tile caused by freezing nor to damage, defect, malfunction or failure to conform with the above warranty provisions where the damage, defect, malfunction or failure to conform was caused during shipment or by distributor or by unreasonable use by ORIGINAL PURCHASER-USER including improper water balance and improper sand pack or support.**

**This LIMITED WARRANTY shall not apply to any plumbing, equipment, or installation of spas and Swim Spas and shall not apply to any alterations made to or upon NESPA products except alterations made by NESPA employees or NESPA authorized representatives.**

**This LIMITED WARRANTY is expressly in lieu of all other warranties expressed or implied including the warranties of merchantability and fitness for use and all other obligations or liabilities on NESPA'S part, and NESPA neither assumes nor authorizes any other person to assume for NESPA any other liability in connection with the sale of this NESPA product. This LIMITED WARRANTY shall not apply to this NESPA product or any part thereof which has been subject to accident, negligence, alteration, abuse or misuse. NESPA makes no warranty whatsoever with respect to accessories or parts not manufactured by NESPA.**

**The term "ORIGINAL PURCHASER-USER" as used in this LIMITED WARRANTY shall be deemed to mean that person for whom the NESPA product is originally installed.**

**The LIMITED WARRANTY provided herein and the obligations and liabilities of NESPA hereunder are exclusive and are in lieu of, and buyer and original PURCHASE-USER hereby waive all other remedies, warranties, guarantees or liabilities, expressed or implied, arising by law or otherwise (including without limitation and obligations of NESPA with respect to fitness, merchantability, and consequential damages) or whether or not occasioned by NESPA'S negligence.**

**This LIMITED WARRANTY shall not be extended, altered or varied except by a written instrument signed by NESPA and original PURCHASER-USER.**